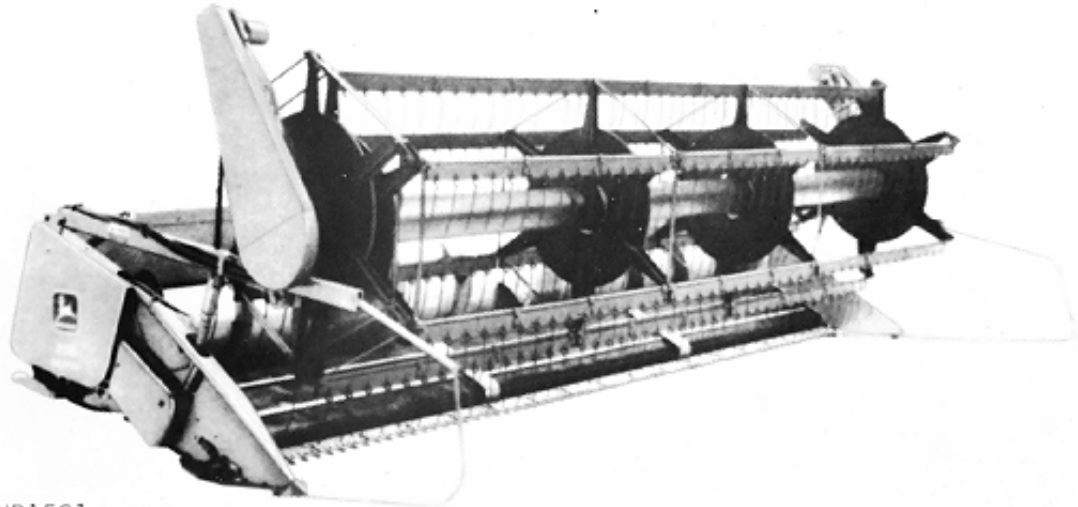


HP1521 -UN-01JAN94



HP1521

*JOHN DEERE 918 DRAPER PLATFORM (-635900)
JOHN DEERE 920 DRAPER PLATFORM (646301-)*

(SPECIFICATIONS AND DESIGN SUBJECT TO CHANGE WITHOUT NOTICE)

SERIAL NUMBER PLATE

USE ALL NUMBERS, LETTERS, AND SPACES SHOWN ON THE SERIAL NUMBER PLATE IN WARRANTY CORRESPONDENCE.

918 DRAPER PLATFORMS (625801-)

ON THESE 918 DRAPER PLATFORMS, SERIAL NUMBER PLATE IS LOCATED ON THE LEFT-HAND SIDE OF THE FRAME.

*EXAMPLE: H00918D625801
918 DRAPER PLATFORM*

(FIRST LINE) H0 - FACTORY (HARVESTER WORKS)
918 - PLATFORM MODEL
D - CONFIGURATION/MODEL SUFFIX
625801 - SEQUENCE (SERIAL) NUMBER
(SECOND LINE) 918 DRAPER PLATFORM - PRODUCT TYPE

ALL INFORMATION ABOVE ALSO PERTAINS TO THE 920 DRAPER PLATFORM

IMPORTANT

THIS PARTS CATALOG CONTAINS COMPLETE PARTS INFORMATION ON THE DRAPER PLATFORMS. IT IS IMPORTANT THAT THE CORRECT SERIAL NUMBER BE USED WHEN ORDERING PARTS.

*COPYRIGHT (C) 2000. DEERE & COMPANY. MOLINE, ILLINOIS.
ALL RIGHTS RESERVED*

DIRECTION ARROW

ARROWS ARE USED WITH ILLUSTRATIONS TO INDICATE THE FRONT OF THE UNIT. "RIGHT-HAND" AND "LEFT-HAND" SIDES ARE DETERMINED BY FACING IN THE DIRECTION OF MACHINE FORWARD TRAVEL.

BOX-ENCLOSED ILLUSTRATIONS

A KEY NUMBER, SHOWN IN THE PARTS LIST, IS ASSIGNED TO A BOX ENCLOSING ALL PARTS SOLD AS A SERVICE ASSEMBLY. A BOX NOT KEYED INCLUDES NON-CURRENT PARTS.

KITS

KIT INFORMATION CAN BE FOUND IMMEDIATELY AFTER THE STORY IN WHICH IT IS USED. THE ILLUSTRATION IS REPEATED WITH ONLY THE KIT PARTS CALLED OUT AND WITH ALL OTHER PARTS SHOWN IN PHANTOM.

JDM REMANUFACTURED COMPONENTS

THE SERVICE PARTS LISTED IN THIS CATALOG ARE INTENDED FOR THE REPAIR OF ORIGINAL EQUIPMENT COMPONENTS. ALTHOUGH MOST SERVICE PARTS MAY BE USED TO REPAIR REMANUFACTURED COMPONENTS, THE REMANUFACTURED DESIGN MAY CHANGE PARTS SUFFICIENTLY SO THAT SERVICE PARTS ARE INADEQUATE OR NOT USABLE.

BOLT AND CAP SCREW STRENGTH IDENTIFICATION

BOLTS AND CAP SCREWS REQUIRED TO HAVE HIGH-STRENGTH QUALITIES EQUIVALENT TO SAE GRADE 8 ARE IDENTIFIED THROUGHOUT THIS CATALOG BY THE DESCRIPTION HS SAE 8. ALL STANDARD BOLTS AND CAP SCREWS ARE SAE GRADE 5 OR LOWER. BOLTS AND CAP SCREWS REQUIRED TO HAVE HIGH-STRENGTH QUALITIES EQUIVALENT TO PROPERTY CLASS 10.9 ARE IDENTIFIED THROUGHOUT THIS CATALOG BY THE DESCRIPTION HS 10.9. ALL STANDARD BOLTS AND CAP SCREWS ARE PROPERTY CLASS 8.8 OR LOWER.

SI UNITS OF MEASURE

METRIC DIMENSIONS ARE GIVEN, WHERE APPLICABLE, THROUGHOUT THIS PARTS CATALOG.

TRADEMARKS

THROUGHOUT THIS PARTS CATALOG, YOU WILL FIND THE FOLLOWING DEERE & COMPANY TRADEMARKS:

DIAL-A-SPEED™
DIAL-A-MATIC™
HARVESTRAK™

POSI-TORQ™
TORQ-GARD SUPREME®
QUIK-TATCH™

CHANGE INDICATOR LINE

CHANGES AFFECTING THE ORDERING OF PARTS ARE IDENTIFIED BY VERTICAL LINES MARKED IN THE L. H. MARGIN OF REVISED PARTS LISTING IMAGES. A LINE IS ALSO AT THE LEFT-HAND EDGE OF THE SAME PART NUMBER IN THE NUMERICAL INDEX TO SHOW THE LOCATION OF REVISED INFORMATION.

FUNCTION CODE

(EXAMPLE - FC: 5000)

FUNCTION CODES ARE LOCATED ON EACH PAGE IN THE UPPER RIGHT-HAND CORNER. THE CODE LISTED IS A GROUPING CODE THAT CAN BE USED FOR WARRANTIES AND FOR DTAC TO IDENTIFY CERTAIN AREAS.

COMPLETE GOODS LISTINGS

COMPLETE GOODS ARE IN BOLD FACE TYPE. ORDER SEPARATELY. DO NOT INCLUDE ON REPLACEMENT PARTS ORDER.

SECTION INDEX

SECTION 05 - GENERAL INFORMATION

SECTION 10 - REEL

SECTION 15 - FRAME, STRIPPERS, DIVIDERS AND PLATES

SECTION 20 - KNIFE, CUTTERBAR AND DRIVES

SECTION 25 - AUGER AND DRIVE

SECTION 30 - HYDRAULICS

SECTION 35 - SHIELDS

SECTION 40 - BELTS, CHAINS, SHEAVES, SPROCKETS AND DECALS

SECTION 45 - NUMERICAL INDEX

ALPHABETICAL INDEX

GRID		PAGE	GRID		PAGE
	A				
A14	ARM, REEL 918 (-635900)	10-4	B6	BRACKET, STUBBLE LIGHT 918 (-635900)	15-15
A14	ARM, REEL 920 (646301-656300)	10-4	B7	BRACKET, STUBBLE LIGHT 920 (646301-)	15-16
A15	ARM, REEL 920 (656301-)	10-5	D7	BRACKETS, CROSS AUGER 918 (-635900)	25-26
C24	AUGER AND SHAFT - 920 (656301-)	25-18	D11	BRACKETS, CROSS AUGER 920 (646301-)	25-30
D1	AUGER BEARINGS 920 (646301-656300)	25-20	D9	BRACKETS, CROSS AUGER 920 (646301-656300)	25-28
D3	AUGER BEARINGS 920 (656301-)	25-22		C	
C24	AUGER COVER - 920 (656301-)	25-18	B14	CASE, KNIFE DRIVE 918 (-635900)	20-4
D1	AUGER CRANK 920 (646301-656300)	25-20	E19	CHAINS, DRIVE, SPROCKETS, TIGHTENERS R.H. 918 (-635900)	40-1
D3	AUGER CRANK 920 (656301-)	25-22	E20	CHAINS, DRIVE, SPROCKETS, TIGHTENERS R.H. 920 (646301-)	40-2
C18	AUGER DRIVE RH(920) USE WITH UNIVERSAL DRIVE (685101-)	25-12	C18	CLUTCH, AUGER DRIVE (RH) UNIVERSAL DRIVE.....	25-12
C12	AUGER DRIVE 920 (646301-656300)	25-6	B6	CONNECTOR, STUBBLE LIGHT 918 (-635900)	15-15
C14	AUGER DRIVE 920 (656301-666300)	25-8	C24	COVER, AUGER -920 (656301-)	25-18
C16	AUGER DRIVE 920 (666301-685100)	25-10	D1	CRANK, AUGER 920 (646301-656300)	25-20
C8	AUGER DRIVE, CROSS 918 (-635100)	25-2	D3	CRANK, AUGER 920 (656301-)	25-22
C10	AUGER DRIVE, CROSS 918 (635101-635900)	25-4	C22	CROSS AUGER AND SHAFT 920 (646301-656300)	25-16
D1	AUGER FINGERS 920 (646301-656300)	25-20	D7	CROSS AUGER BRACKETS 918 (-635900)	25-26
D3	AUGER FINGERS 920 (656301-)	25-22	D11	CROSS AUGER BRACKETS 920 (646301-)	25-30
D6	AUGER FLIGHT EXTENSIONS (920)(656301-)	25-25	D9	CROSS AUGER BRACKETS 920 (646301-656300)	25-28
D5	AUGER FLIGHT EXTENSIONS 920 (-655300)	25-24	C8	CROSS AUGER DRIVE 918 (-635100)	25-2
C24	AUGER HUB - 920 (656301-)	25-18	C10	CROSS AUGER DRIVE 918 (635101-635900)	25-4
D1	AUGER SHAFTS 920 (646301-656300)	25-20	C20	CROSS AUGER, BEARINGS, SHAFTS, FINGERS 918 (-635900)	25-14
D3	AUGER SHAFTS 920 (656301-)	25-22	B16	CUTTERBAR DRIVE 918 (-635900)	20-6
C22	AUGER, CROSS AND SHAFT 920 (646301-656300)	25-16	B17	CUTTERBAR DRIVE 920 (646301-656300)	20-7
D7	AUGER, CROSS, BRACKETS 918 (-635900)	25-26	B18	CUTTERBAR DRIVE 920 (656301-685100)	20-8
D11	AUGER, CROSS, BRACKETS 920 (646301-)	25-30	B19	CUTTERBAR DRIVE (920) (685101-)	20-9
D9	AUGER, CROSS, BRACKETS 920 (646301-656300)	25-28	A15	CYLINDER ROD EXTENSION 920 (656301-)	10-5
	B		E10	CYLINDER, REEL LIFT MASTER.....	30-22
D1	BEARINGS, AUGER 920 (646301-656300)	25-20	E5	CYLINDER, REEL LIFT SLAVE 918 (-635900)	30-16
D3	BEARINGS, AUGER 920 (656301-)	25-22	E5	CYLINDER, REEL LIFT SLAVE 920 (646301-)	30-16
C20	BEARINGS, SHAFTS, FINGERS, CROSS AUGER 918 (-635900)	25-14		D	
B22	BOLTED KNIVES AND GUARDS 918 (-635900)	20-12	E23	DECALS, R.H. AND L.H. 918 (-635900)	40-6
C1	BRACKET, KNIFE STORAGE AND SHIELD 920 (646301-)	20-16	F1	DECALS, R.H. AND L.H. 920 (646301-)	40-8
B24	BRACKET, STORAGE, SHIELD AND SPARE KNIFE 918 (-635900)	20-14	B4	DIVIDER POINTS 918 (-635900).....	15-13

ALPHABETICAL INDEX - CONTINUED

GRID		PAGE	GRID		PAGE
B13	IDLER, KNIFE DRIVE 920 (656301-)	20-2	E10	MASTER CYLINDER, REEL LIFT	30-22
			D13	METRIC KEY STOCK KIT	25-32
			E11	MOTOR, HYDROSTATIC DRIVE REEL HYDRAULIC	30-23
	K		E8	MOTOR, REEL (EATON) (655583-)	30-20
D13	KEY STOCK, METRIC KIT	25-32	E6	MOTOR, REEL (ROSS NO. K85921) (-655582)	30-18
D13	KIT, METRIC KEY STOCK	25-32	E15	MOUNTING, END SHIELD 918 (635101-635900)	35-2
B14	KNIFE DRIVE CASE 918 (-635900)	20-4	E16	MOUNTING, END SHIELD 920 (646301-656300)	35-3
B12	KNIFE DRIVE IDLER 918 (-635900)	20-1	A16	MOUNTINGS, PICKUP REEL 918 (-635900)	10-6
B12	KNIFE DRIVE IDLER 920 (646301-656300)	20-1	A16	MOUNTINGS, PICKUP REEL 920 (646301-)	10-6
B13	KNIFE DRIVE IDLER 920 (656301-)	20-2		P	
B12	KNIFE DRIVE TIGHTENER 918 (-635900)	20-1	A16	PICKUP REEL DRIVE SHAFT 920 (646301-)	10-6
B12	KNIFE DRIVE TIGHTENER 920 (646301-656300)	20-1	A16	PICKUP REEL DRIVE SHAFTS 918 (-635900)	10-6
B13	KNIFE DRIVE TIGHTENER 920 (656301-)	20-2	A13	PICKUP REEL ECCENTRIC SPIDER 918 (635900-)	10-3
C1	KNIFE STORAGE BRACKET AND SHIELD 920 (646301-)	20-16	A13	PICKUP REEL ECCENTRIC SPIDER 920 (646301-)	10-3
B24	KNIFE, SPARE, STORAGE BRACKET AND SHIELD 918 (-635900)	20-14	E3	PICKUP REEL HYDRAULIC DRIVE REEL HOSES 918 (-635900)	30-14
B22	KNIVES, BOLTED AND GUARDS 918 (-635900)	20-12	A16	PICKUP REEL MOUNTINGS 918 (-635900)	10-6
	L		A16	PICKUP REEL MOUNTINGS 920 (646301-)	10-6
D22	LIFT LINES, REEL 918 (-635900)	30-8	A16	PICKUP REEL SPROCKETS 918 (-635900)	10-6
D24	LIFT LINES, REEL 920 (646301-656300)	30-10	A16	PICKUP REEL SPROCKETS 920 (646301-)	10-6
E1	LIFT LINES, REEL 920 (656301-)	30-12	A11	PICKUP REEL 918 (-635900)	10-1
B8	LIGHTS, MARKER 918 (-635900)	15-17	A12	PICKUP REEL 920 (646301-)	10-2
B9	LIGHTS, MARKER 920 (646301-)	15-18	E4	PICKUP REEL, HYDRAULIC DRIVE REEL HOSES 920 (646301-)	30-15
B6	LIGHTS, STUBBLE (OPTIONAL) 918 (-635900)	15-15	A15	PIN, REEL ARM 920 (656301-)	10-5
B7	LIGHTS, STUBBLE (OPTIONAL) 920 (646301-)	15-16	B5	PLATES, FEED 918 (-635900)	15-14
D18	LINES, HYDRAULIC REEL DRIVE 920 (646301-656300)	30-4	B4	POINTS, DIVIDER 918 (-635900)	15-13
D20	LINES, HYDRAULIC REEL DRIVE 920 (656301-)	30-6		R	
D16	LINES, REEL DRIVE 918 (-635900)	30-2	A14	REEL ARM 918 (-635900)	10-4
D22	LINES, REEL LIFT 918 (-635900)	30-8	A14	REEL ARM 920 (646301-656300)	10-4
D24	LINES, REEL LIFT 920 (646301-656300)	30-10	A15	REEL ARM 920 (656301-)	10-5
E1	LINES, REEL LIFT 920 (656301-)	30-12	D16	REEL DRIVE LINES 918 (-635900)	30-2
	M		D18	REEL DRIVE LINES 920 (646301-656300)	30-4
C7	MAIN DRIVE SHAFT	25-1	D20	REEL DRIVE LINES 920 (656301-)	30-6
B8	MARKER LIGHTS 918 (-635900)	15-17	E3	REEL HOSES, HYDRAULIC DRIVE, PICKUP REEL 918 (-635900)	30-14
B9	MARKER LIGHTS 920 (646301-)	15-18	E4	REEL HOSES, HYDRAULIC DRIVE, PICKUP REEL 920 (646301-)	30-15

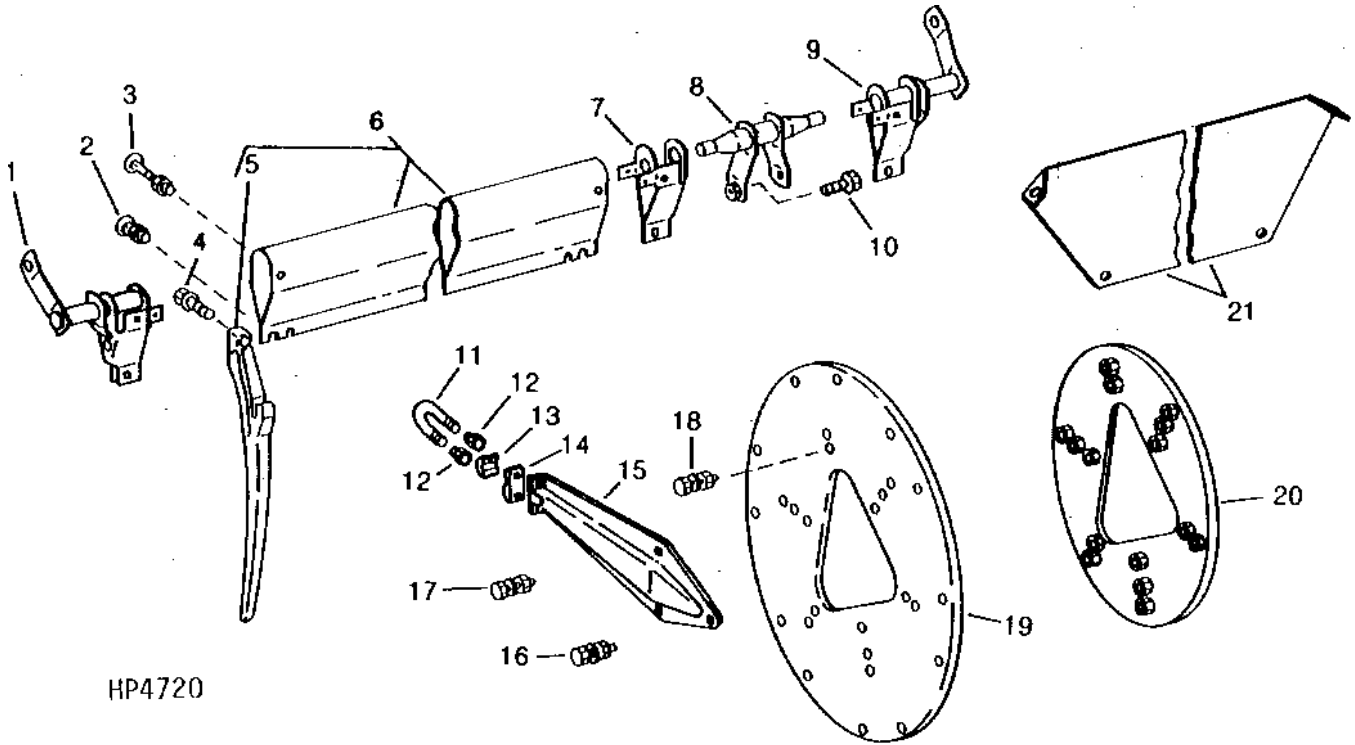
ALPHABETICAL INDEX - CONTINUED

GRID		PAGE	GRID		PAGE
D22	REEL LIFT LINES		E16	SHOE, SKID, SHIELD	
	918 (-635900)	30 - 8		920 (646301-656300)	35 - 3
D24	REEL LIFT LINES		E5	SLAVE CYLINDER, REEL LIFT	
	920 (646301-656300)	30 - 10		918 (-635900)	30 - 16
E1	REEL LIFT LINES		E5	SLAVE CYLINDER, REEL LIFT	
	920 (656301-)	30 - 12		920 (646301-)	30 - 16
E10	REEL LIFT MASTER CYLINDER	30 - 22	B24	SPARE KNIFE, STORAGE BRACKET AND SHIELD	
E5	REEL LIFT SLAVE CYLINDER			918 (-635900)	20 - 14
	918 (-635900)	30 - 16	A13	SPIDER, ECCENTRIC, PICKUP REEL	
E5	REEL LIFT SLAVE CYLINDER			918 (635900-)	10 - 3
	920 (646301-)	30 - 16	A13	SPIDER, ECCENTRIC, PICKUP REEL	
E8	REEL MOTOR (EATON)			920 (646301-)	10 - 3
	(655583-)	30 - 20	C18	SPROCKET, AUGER DRIVE (RH)	25 - 12
E6	REEL MOTOR (ROSS NO. K85921)		A16	SPROCKETS, PICKUP REEL	
	(-655582)	30 - 18		918 (-635900)	10 - 6
A11	REEL, PICKUP 918 (-635900)	10 - 1	A16	SPROCKETS, PICKUP REEL	
A12	REEL, PICKUP 920 (646301-)	10 - 2		920 (646301-)	10 - 6
C4	ROLLS, DRAPER DRIVE		E19	SPROCKETS, TIGHTENERS, DRIVE CHAINS	
	918 (-635900)	20 - 20		R.H. 918 (-635900)	40 - 1
B20	ROLLS, DRAPER IDLER		E20	SPROCKETS, TIGHTENERS, DRIVE CHAINS	
	918 (-635900)	20 - 10		R.H. 920 (646301-)	40 - 2
			A15	STOP, CYL. ROD EXTENSION	
	S			920 (656301-)	10 - 5
C24	SHAFT AND AUGER - 920		C1	STORAGE BRACKET, KNIFE AND SHIELD	
	(656301-)	25 - 18		920 (646301-)	20 - 16
C22	SHAFT AND CROSS AUGER		B24	STORAGE BRACKET, SHIELD AND SPARE KNIFE	
	920 (646301-656300)	25 - 16		918 (-635900)	20 - 14
C18	SHAFT, AUGER DRIVE (RH)	25 - 12	A20	STRIPPER FRAME	
B19	SHAFT, CUTTERBAR DRIVE(685101-)	20 - 9		918 (-635900)	15 - 4
C7	SHAFT, MAIN DRIVE	25 - 1	B1	STRIPPER, FLOOR	
D1	SHAFTS, AUGER			918 (-635900)	15 - 10
	920 (646301-656300)	25 - 20	B2	STRIPPER, FLOOR	
D3	SHAFTS, AUGER			920 (646301-656300)	15 - 11
	920 (656301-)	25 - 22	B7	STUBBLE LIGHT HARNESS	
C20	SHAFTS, FINGERS, CROSS AUGER, BEARINGS			920 (646301-)	15 - 16
	918 (-635900)	25 - 14	B6	STUBBLE LIGHTS (OPTIONAL)	
B19	SHEAVE, CUTTERBAR DRIVE.....	20 - 9		918 (-635900)	15 - 15
E21	SHEAVES, TIGHTENERS, DRIVE BELT		B7	STUBBLE LIGHTS (OPTIONAL)	
	L.H. 918 (-635900)	40 - 3		920 (646301-)	15 - 16
E22	SHEAVES, TIGHTENERS, DRIVE BELT		C2	SUPPORTS AND SHIELDS, DRAPER	
	L.H. 920 (646301-)	40 - 4		918 (-635900)	20 - 18
E15	SHIELD		B20	SUPPORTS, DRAPER IDLER ROLLS	
	918 (635101-635900)	35 - 2		918 (-635900)	20 - 10
E16	SHIELD				
	920 (646301-656300)	35 - 3		T	
E14	SHIELD 918 (-635100)	35 - 1	E12	TIGHTENER, DRAPER DRIVE	
C18	SHIELD, AUGER DRIVE (RH)	25 - 12		918 (-635900)	30 - 24
E17	SHIELD, END		E21	TIGHTENERS, DRIVE BELT, SHEAVES	
	920 (656301-)	35 - 4		L.H. 918 (-635900)	40 - 3
A20	SHIELD, FRAME (8820)		E22	TIGHTENERS, DRIVE BELT, SHEAVES	
	918 (-635900)	15 - 4		L.H. 920 (646301-)	40 - 4
C1	SHIELD, KNIFE STORAGE BRACKET		E19	TIGHTENERS, DRIVE CHAINS, SPROCKETS	
	920 (646301-)	20 - 16		R.H. 918(-635900).....	40 - 1
E15	SHIELD, SKID SHOE		E20	TIGHTENERS, DRIVE CHAINS, SPROCKETS	
	918 (635101-635900)	35 - 2		R.H. 920 (646301-)	40 - 2
E16	SHIELD, SKID SHOE				
	920 (646301-656300)	35 - 3			
B24	SHIELD, SPARE KNIFE AND STORAGE BRACKET				
	918 (-635900)	20 - 14			
C2	SHIELDS AND SUPPORTS, DRAPER				
	918 (-635900)	20 - 18			
E17	SHIELDS, DRIVE				
	920 (656301-)	35 - 4			
E15	SHOE, SKID, SHIELD				
	918 (635101-635900)	35 - 2			

A11

REEL

PICKUP REEL
 918 (-635900)
 HP4720 -UN-01JAN94

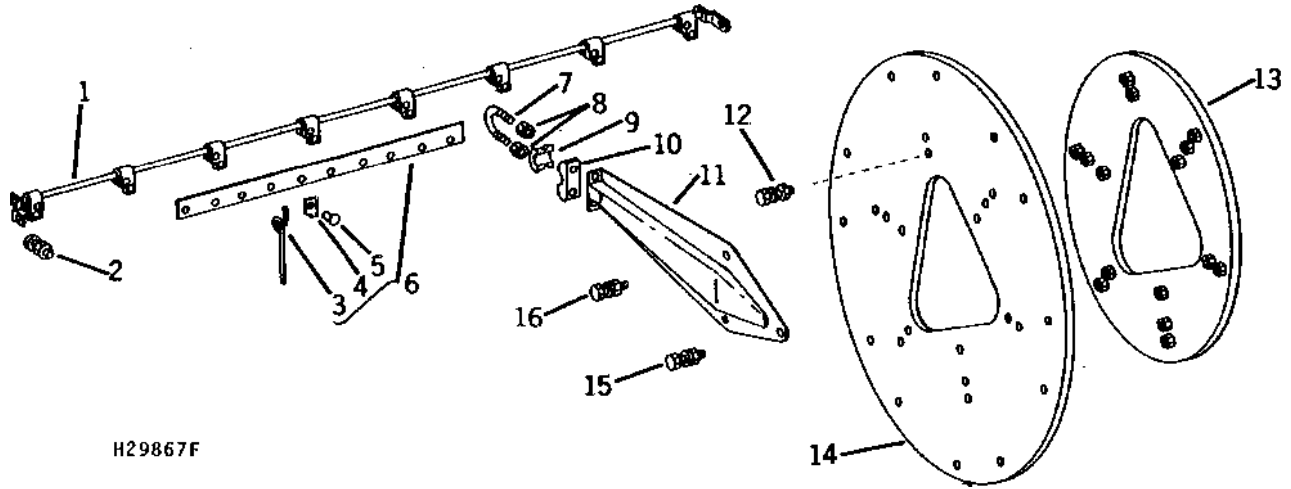


KEY	PART NO.	PART NAME	QTY	SERIAL NO.	REMARKS
1	AH122157	BRACKET	6	L.H.	
2	03H1539	BOLT	6	5/16" X 5/8"	
	H127039	NUT	6	7.925 MM (5/16") CADMIUM, (SUB H76696)	
3	H76696	LOCK NUT	6	7.925 MM (5/16")	
	03H1791	BOLT	6	5/16" X 2-1/2"	
	H127039	NUT	6	7.925 MM (5/16") CADMIUM, (SUB H76696)	
4	H76696	LOCK NUT	6	7.925 MM (5/16")	
	H127037	SCREW	AR	NO. 8 (ORIGINAL EQUIPMENT)	
	37H160	SCREW	AR	NO. 10 (SUB FOR H127037 WHEN HOLE IN BAT IS STRIPPED)	
5	AH129419	SCREW AND WASHER KIT	AR	(SUB FOR 37H160 WHEN NO. 10 HOLE IS STRIPPED)	
	H127035	FINGER	234		
6	AH122150	FINGER	6	CENTER	
	AH122151	FINGER	12	R.H.AND L.H.	
7	AH122160	RETAINER	24		
8	AH122159	BRACKET	12	CENTER	
9	AH122158	BRACKET	6	R.H.	
10	H127043	BOLT	AR	7.925 X 15.748 MM (5/16" X 0.620")	
11	E40203	U-BOLT	36		
12	E45229	LOCK NUT	72	6.350 MM (1/4")	
13	E40205	CAP	36		
14	E40206	BASE	36		
15	AH97207	ARM	36		
16	19H1849	CAP SCREW	24	5/16" X 1-1/4"	
	12M7065	LOCK WASHER	24	8.100 MM (0.319")	
	14H785	NUT	24	5/16"	
17	19H2020	CAP SCREW	48	5/16" X 1/2"	
	12M7065	LOCK WASHER	48	8.100 MM (0.319")	
	14H785	NUT	48	5/16"	
18	19H1905	CAP SCREW	24	5/16" X 1"	
	12M7065	LOCK WASHER	24	8.100 MM (0.319")	
	14H785	NUT	24	5/16"	
19	H98690	PLATE	4		
20	AH97208	PLATE	4		
21	H134693	SHIELD	12		

A12

REEL

PICKUP REEL
 920 (646301-)
 H29867F -UN-01JAN94



KEY	PART NO.	PART NAME	QTY	SERIAL NO.	REMARKS
1	AH97186	SHAFT	6		
2	03H1810	BOLT	144	1/4" X 1-1/2"	
	14H786	NUT	144	1/4"	
3	H33316	FINGER	258		
4	H33317	CLIP	258		
5	H33318	RIVET	258		
6	AH97195	SLAT	6	4.775 X 25.400 MM (3/16" X 1")	CENTER
	AH97196	SLAT	12		R.H. AND L.H.
7	E40203	U-BOLT	24		
8	E45229	LOCK NUT	48	6.350 MM (1/4")	
9	E40205	CAP	24		
10	E40206	BASE	24		
11	AH97207	ARM	24		
12	19H1905	CAP SCREW	24	5/16" X 1"	
	12M7065	LOCK WASHER	24	8.100 MM (0.319")	
	14H785	NUT	24	5/16"	
13	AH97208	PLATE	4		STIFFENING
14	H98690	PLATE	4		SPIDER
15	19H1849	CAP SCREW	24	5/16" X 1-1/4"	
	12M7065	LOCK WASHER	24	8.100 MM (0.319")	
	14H785	NUT	24	5/16"	
16	19H2020	CAP SCREW	48	5/16" X 1/2"	
	12M7065	LOCK WASHER	48	8.100 MM (0.319")	
	14H785	NUT	48	5/16"	

BH77042 (COMPLETE GOODS) BAT AND CENTERTUBE BUNDLE - 20' REEL

A13

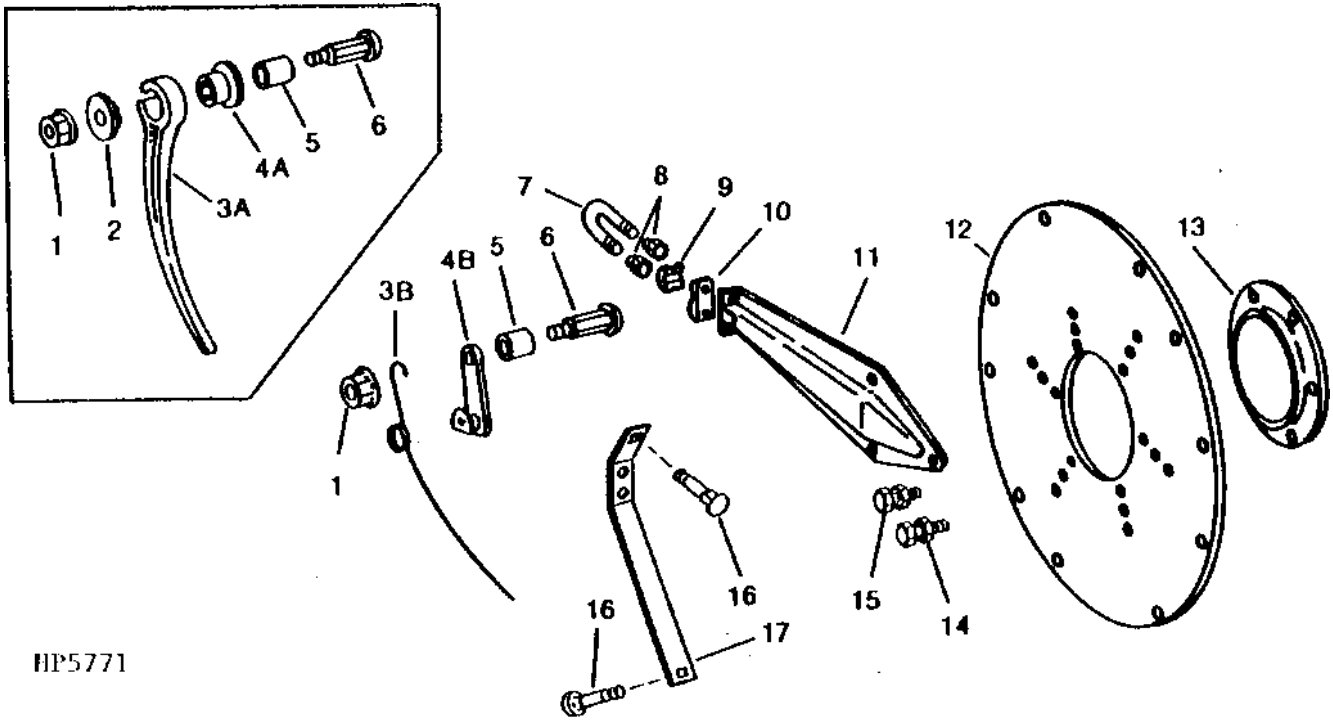
REEL

PICKUP REEL ECCENTRIC SPIDER

918 (-635900)

920 (646301-)

HP5771 -UN-01JAN94



HP5771

KEY	PART NO.	PART NAME	QTY	SERIAL NO.	REMARKS
1	E59584	FLANGE NUT	6		12.700 MM (1/2") (RIGID)
2	H132148	RETAINER	6		(RIGID)
3A	H132147	FINGER	6	-656329	(RIGID)
3B	AH97221	STRAP	6	656330-	
4A	H132149	BRACKET	6	-656329	(RIGID)
4B	H33332	FINGER	6	656330-	R.H.
	H33333	FINGER	6	656330-	L.H.
5	E40212	SPACER	6		(RIGID)
6	E59585	BOLT	6		(RIGID)
7	E40203	U-BOLT	6		
8	M63707	LOCK NUT	12		6.350 MM (1/4")
9	E40205	CAP	6		
10	E40206	BASE	6		
11	AH97207	ARM	6		
12	H98692	PLATE	1		
13	H98693	RING	1		
14	19H1900	CAP SCREW	6		5/16" X 3/4"
	12M7065	LOCK WASHER	6		8.100 MM (0.319")
	14H785	NUT	6		5/16"
15	19H2020	CAP SCREW	18		5/16" X 1/2"
	12M7065	LOCK WASHER	18		8.100 MM (0.319")
	14H785	NUT	18		5/16"
16	03H1893	BOLT	AR		1/4" X 1/2"
	E45229	LOCK NUT	AR		1/4"
17	H98764	BRACE	6		

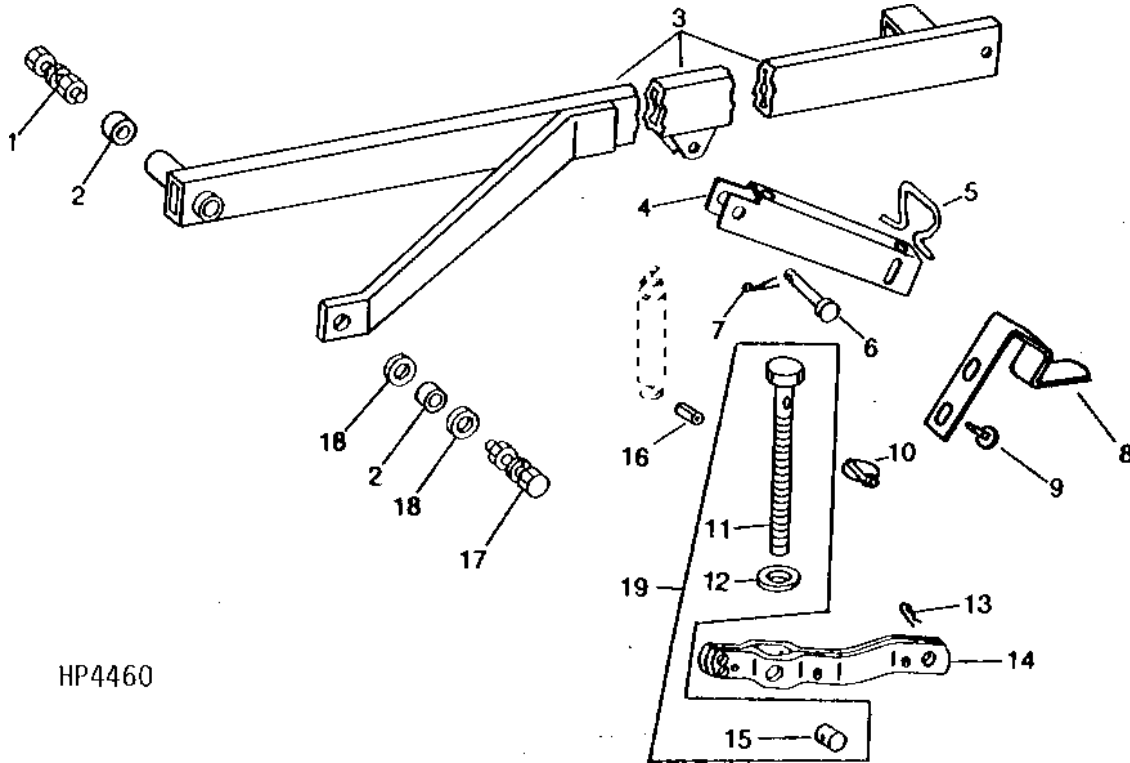
NOTE: QUANTITIES SHOWN ARE FOR ONE END ONLY.

BH76722 (COMPLETE GOODS) FINGER ASSEMBLY - AUX PICKUP

A14

REEL

REEL ARM
 918 (-635900)
 920 (646301-656300)
 HP4460 -UN-01JAN94



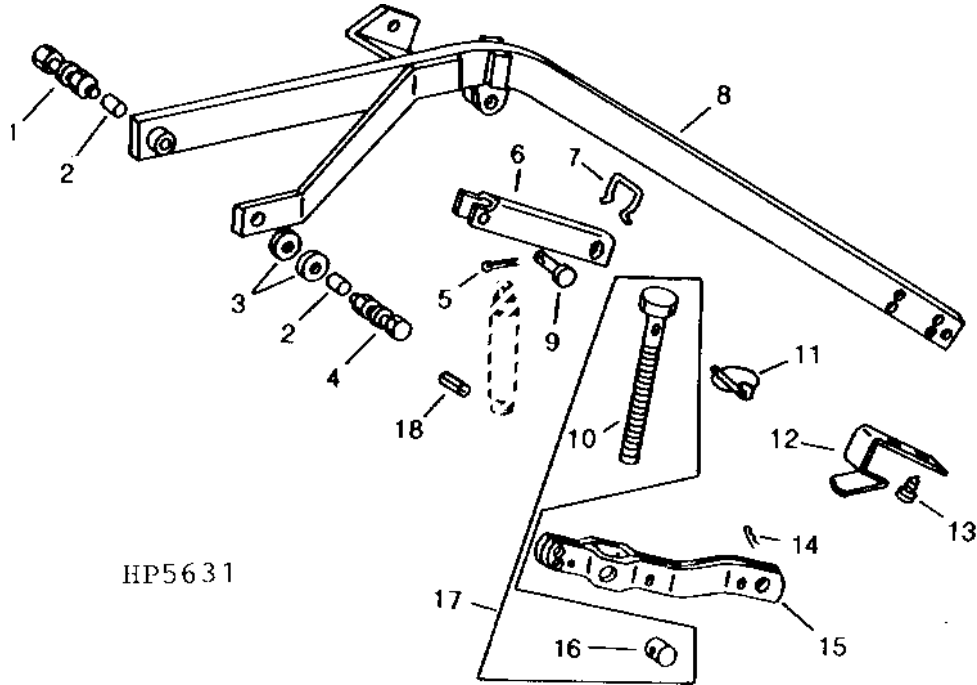
HP4460

KEY	PART NO.	PART NAME	QTY	SERIAL NO.	REMARKS
1	19H1909	CAP SCREW	1		3/4" X 3-3/4", (SUB 19H1909) (R.H.)
	19H2000	CAP SCREW	1		3/4" X 5", (L.H.)
	12H236	LOCK WASHER	2		3/4"
	14H794	NUT	2		3/4"
2	M63139	BUSHING	4		(SUB H147956)
3	AH125393	LIFT ARM	1		(L.H.)
	AH112088	LIFT ARM	1		(R.H.)
4	H94005	STOP	2	-635825	(SUB H137017)
	H137017	STOP	2		
5	H87239	RETAINER	2	-635825	
	H137016	RETAINER	2		STOP
6	H98494	PIN	2		DRILLED
7	11H236	COTTER PIN	2		1/8" X 1"
8	H98698	LATCH	2		STOP
9	H87048	SCREW	4		6.350 X 12.700 MM (1/4" X 1/2") SELF-TAPPING
10	B15648	QUICK LOCK PIN	1	-625800	
	M72598	QUICK LOCK PIN	1		
11	BOLT	2		(SUB AH138224)
12	WASHER	2		(SUB AH138224)
13	11M7054	COTTER PIN	2		6.300 X 32 MM
14	AH120150	SUPPORT	2		
15	PIN	2		(SUB AH138224)
16	H123605	PIN	2	-661300	14.700 X 35 MM (0.579" X 1.378") M14 X 35 (SPRING) (SUB 34M7135)
	34M7135	SPRING PIN	2		14 X 40 MM (0.551" X 1.575")
17	19H1734	CAP SCREW	2		5/8" X 2"
	12H294	LOCK WASHER	2		5/8"
	14H760	NUT	2		5/8"
18	24H1368	WASHER	4		21/32" X 1-5/16" X 0.090"
19	AH138224	KIT	1		

A15

REEL

REEL ARM
920 (656301-)
HP5631 -UN-01JAN94



HP5631

KEY	PART NO.	PART NAME	QTY	SERIAL NO.	REMARKS
1	19M7832	SCREW	1	-656255	M20 X 100, R.H.
	19M7963	CAP SCREW	1	656256-	M20 X 100
	19M7968	CAP SCREW	1		M20 X 130, L.H.
	12M7070	LOCK WASHER	2		20.200 MM
	14M7277	NUT	2		M20
2	H147956	BUSHING	1		20.600 X 25.400 X 11 MM (0.811" X 1" X 0.433")
3	24M7241	WASHER	4		17 X 34 X 4 MM
4	19M7409	CAP SCREW	2		M16 X 50, (SUB 19M7409)
	12M7069	LOCK WASHER	2		16.200 MM
	14M7276	NUT	2		M16
5	11H236	COTTER PIN	2		1/8" X 1"
6	H137017	STOP	2		
7	H87239	RETAINER	1		R.H.
	H137016	RETAINER	1		L.H.
8	AH125393	LIFT ARM	1		L.H.
	AH112088	LIFT ARM	1		R.H.
	H98494	PIN	2	-661300	12.700 X 69.088 MM (1/2" X 2.720")
10	BOLT	2		(SUB AH141972)
11	M72598	QUICK LOCK PIN	2		
12	H98698	LATCH	2		STOP
13	37M7089	SCREW	4		M6 X 12 SELF-TAPPING
14	11M7054	COTTER PIN	2		6.300 X 32 MM
15	AH120150	SUPPORT	2		
16	PIN	2		(SUB AH141972)
17	AH141972	KIT	2		
18	H123605	PIN	2	-661300	14.700 X 35 MM (0.579" X 1.378") M14 X 35
					(SPRING) (SUB 34M7135)
	34M7135	SPRING PIN	2		14 X 40 MM (0.551" X 1.575")

A16

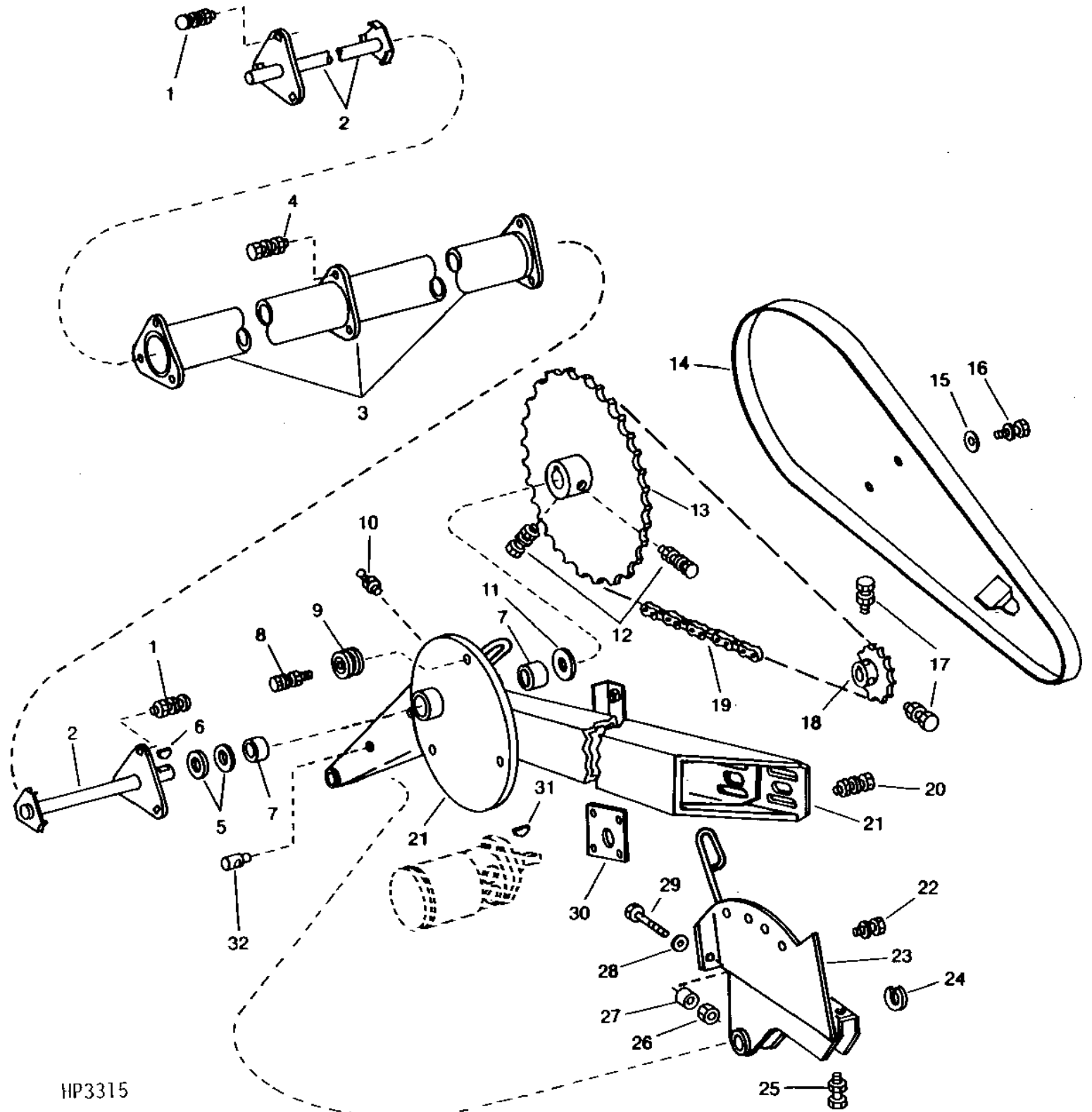
REEL

PICKUP REEL DRIVE SHAFTS, MOUNTINGS, AND SPROCKETS

918 (-635900)

920 (646301-)

HP3315 -UN-01JAN94



HP3315

A17

REEL

PICKUP REEL DRIVE SHAFTS, MOUNTINGS, AND SPROCKETS - CONTINUED

918 (-635900)

920 (646301-)

KEY	PART NO.	PART NAME	QTY	SERIAL NO.	REMARKS
1	03H1495	BOLT	6	3/8" X 1-1/2"	
	12H304	LOCK WASHER	6	3/8"	
	H20024	LOCK NUT	6	9.525 MM (3/8")	
2	AH127485	SHAFT	2	DRIVE	
3	AH97165	SHAFT	1	(918) CENTER	
	AH97166	SHAFT	1	(920) CENTER	
4	19H1732	CAP SCREW	6	3/8" X 1-1/4"	
	12H304	LOCK WASHER	6	3/8"	
	H20024	LOCK NUT	6	9.525 MM (3/8")	
5	24H1553	WASHER	4	1-5/8" X 2-1/4" X 0.194"	
6	26H46	SHAFT KEY	2	3/8" X 2-1/8"	
7	H98743	BUSHING	4		
8	19H1765	CAP SCREW	6	3/8" X 1-3/4"	
	12H304	LOCK WASHER	6	3/8"	
	14H812	NUT	6	3/8"	
9	AE24403	BALL BEARING	6		
10	JD7759	LUBRICATION FITTING	2		
11	24H1520	WASHER	2	1-15/32" X 2" X 0.105"	
12	22H853	SET SCREW	4	3/8" X 7/8"	
	14H732	NUT	4	3/8"	
13	AH88831	CHAIN SPROCKET	2	81 TEETH, DRIVEN	
14	AH97012	SHIELD	2		
15	24H1136	WASHER	4	11/32" X 11/16" X 0.065"	
16	19H1900	CAP SCREW	4	5/16" X 3/4"	
	12M7065	LOCK WASHER	4	8.100 MM (0.319")	
17	22H818	SET SCREW	4	5/16" X 3/4"	
	14H611	NUT	4	5/16"	
18	AH96655	CHAIN SPROCKET	2	13 TEETH	
19	AH96647	LINK CHAIN	2	ROLLER, DRIVE, TYPE 50, 5/8" PITCH, 164 LINKS	
20	03H1764	BOLT	8	1/2" X 1-3/4"	
	12H301	LOCK WASHER	8	1/2"	
	14H809	NUT	8	1/2"	
21	AH120564	SUPPORT	1	(R.H.)	
	AH120565	SUPPORT	1	(L.H.)	
22	19H1792	CAP SCREW	2	1/2" X 1"	
	12H301	LOCK WASHER	2	1/2"	
23	AH120562	DRAWER SLIDE	1	(R.H.)	
	AH120563	DRAWER SLIDE	1	(L.H.)	
24	C3142E	SNAP RING	2		
25	H93483	SET SCREW	2	15.875 X 57.150 MM (5/8" X 2-1/4")	
	14H821	NUT	2	5/8"	
26	E54809	LOCK NUT	2		
27	H81277	BUSHING	2		
28	24H1111	WASHER	2	17/32" X 1-1/16" X 0.090"	
29	08H4654	CAP SCREW	2	1/2" X 7-1/2"	
30	H87360	SHIM	2		
31	26H22	SHAFT KEY	2	1/4" X 1"	
32	H89110	TRUNNION	2		

MEMORANDA

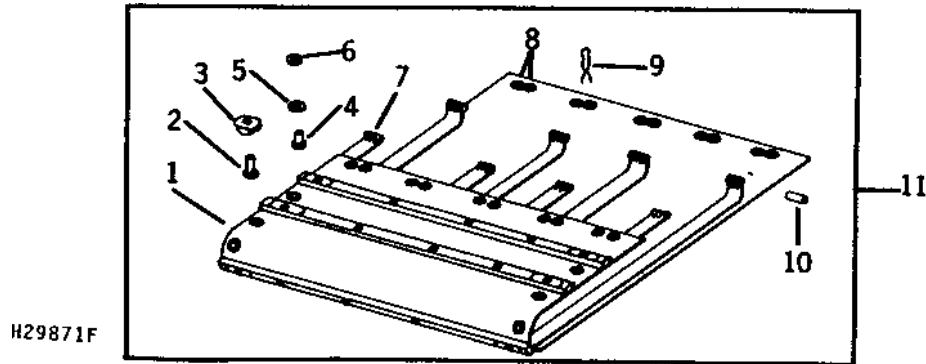
MEMORANDA

A19

FRAME, STRIPPERS, DIVIDERS, AND PLATES

DRAPERS

918 (-635900)
H29871F -UN-01JAN94



KEY	PART NO.	PART NAME	QTY	SERIAL NO.	REMARKS
1	H92518	SLAT	5		
2	P41339	RIVET	20		5.131 X 23.876 MM (0.202" X 0.940")
3	H31621	CLIP	10		SLAT END
4	P41338	RIVET	16		5.131 X 15.748 MM (0.202" X 0.620") (QUANTITY OF 20 IN KIT AH137747)
5	P13759	WASHER	16		3.962 X 31.750 X 4.775 MM (5/32" X 1-1/4" X 3/16") LEATHER (QUANTITY OF 20 IN KIT AH137747)
6	H31622	WASHER	16		5.436 X 12.700 X 0.813 MM (0.214" X 1/2" X 0.032") BURR, RIVET (QUANTITY OF 20 IN KIT AH137747)
7	AH92156	BELT	2		DRIVE, INNER
	AH92157	BELT	2		DRIVE, OUTER
8	AP20769	GROMMET	20		(NO LONGER AVAILABLE) (SUB AH92155)
9	H31624	CLAMP	5		
10	H78717	PIN	2		(QUANTITY OF 10 IN KIT AH137747)
11	AH137747	KIT	1		
..	AH92155	CONVEYOR	1		

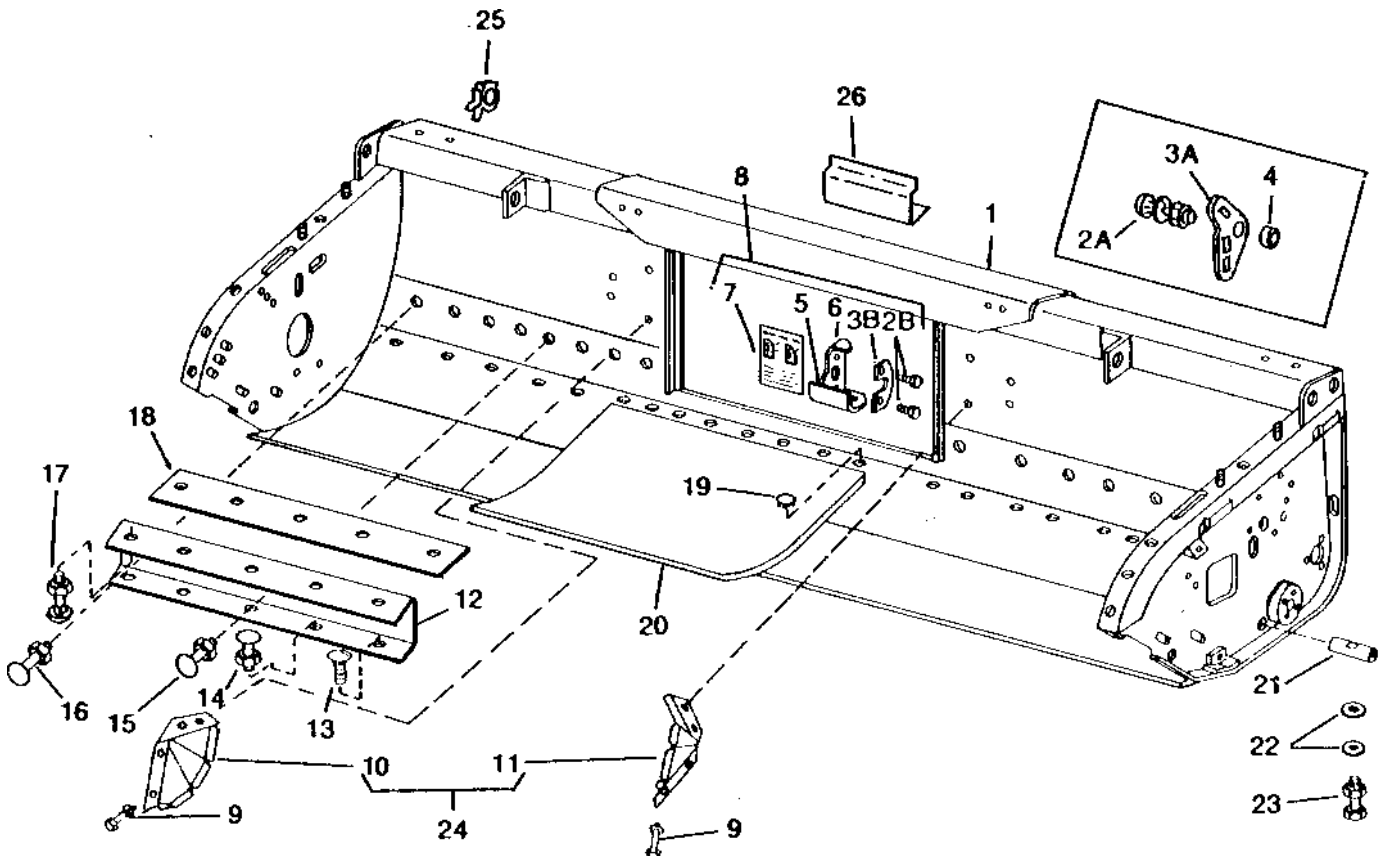
NOTE: QUANTITIES SHOWN ARE FOR ONE UNIT. THREE UNITS USED PER MACHINE.

MEMORANDA

A20

FRAME, STRIPPERS, DIVIDERS, AND PLATES

FRAME
918 (-635900)
HP4724 -UN-01JAN94



HP4724

A21

FRAME, STRIPPERS, DIVIDERS, AND PLATES

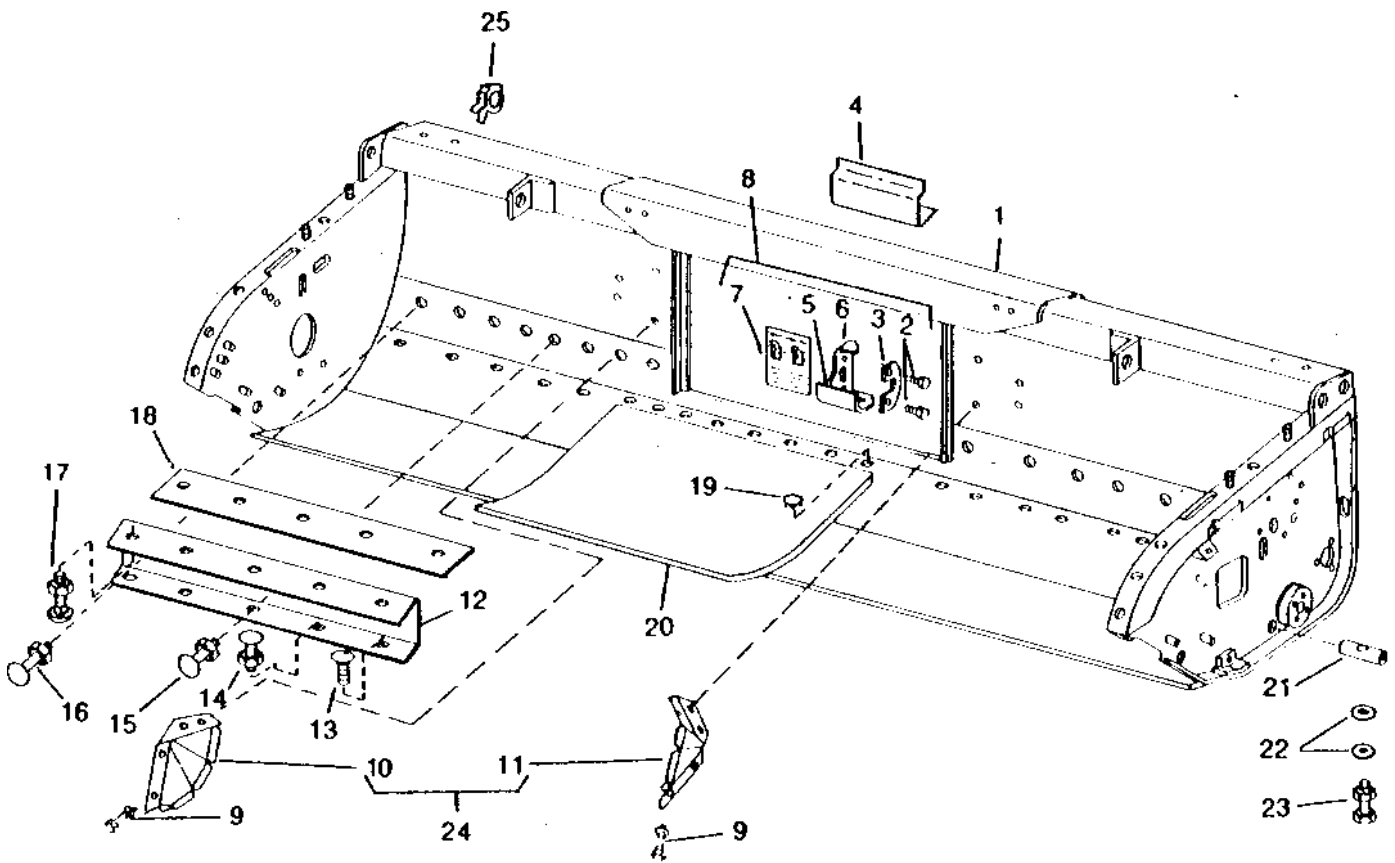
FRAME - CONTINUED
918 (-635900)

KEY	PART NO.	PART NAME	QTY	SERIAL NO.	REMARKS
1	AH119654	MAIN FRAME	1	-628000	(SUB AH136197, H136751, (2) H137143, H138262 AND H138263)
	AH132254	MAIN FRAME	1	-635100	(SUB AH136459)
	AH133918	MAIN FRAME	1	-635810	(SUB AH136459)
	AH136459	FRAME	1	-635825	(SUB AH136197, H138262, H138263, (6) 19H1905, (6) 24H1224)
	AH136197	MAIN FRAME	1	-635825	(SUB AH141311)
	AH141311	MAIN FRAME	1		
2A	03H1629	BOLT	6	-628000	5/8" X 2-1/4"
	12H294	LOCK WASHER	6	-628000	5/8"
	14H760	NUT	6	-628000	5/8"
2B	19M7784	SCREW	2		M10 X 20 (USE WITH QUIK-TACH AND NEW SERVICE FRAME)
3A	H133619	BRACKET	1	-628000	R.H.
	H133620	BRACKET	1	-628000	L.H.
3B	H137143	PLATE	1		(USE WITH QUIK-TACH AND NEW SERVICE FRAME)
4	H124261	SPACER	6	-628000	16.280 X 31.750 X 16.500 MM (0.641" X 1-1/4" X 0.650")
5	REINFORCEMENT	1		(USE WITH QUIK-TACH AND NEW SERVICE FRAME)
6	PLATE	1		(USE WITH QUIK-TACH AND NEW SERVICE FRAME)
7	H136751	DECAL	1		(INSTALLED ON L.H. SIDE OF BACKSHEET ONLY)
8	AH132905	PIN	1		R.H. (LATCH PIN ASSY)
	AH132906	PIN	1		L.H. (LATCH PIN ASSY)
9	03H1540	BOLT	8		5/16" X 3/4"
	12M7065	LOCK WASHER	8		8.100 MM (0.319")
	14H785	NUT	8		5/16"
10	SHIELD	1	-635800	(R.H.) (8820) (SUB AH137774)
11	SHIELD	1	-635800	(L.H.) (8820) (SUB AH137774)
12	H135908	SUPPORT	1	-640600	R.H. (SUB H138262)
	H138262	SUPPORT	1	640601-	R.H.
	H135909	SUPPORT	1	-640600	L.H. (SUB H138263)
	H138263	SUPPORT	1	640601-	L.H.
13	H135095	BOLT	2	-640600	
	19H1905	CAP SCREW	2		5/16" X 1"
	24H1224	WASHER	2		11/32" X 1" X 1/16"
14	03H1540	BOLT	12		5/16" X 3/4"
	A22698	NUT	12		7.925 MM (5/16")
15	03H1540	BOLT	12		5/16" X 3/4" (THRU BACKSHEET)
	A22698	NUT	12		7.925 MM (5/16")
16	03H1709	BOLT	4		5/16" X 1" (THRU BACKSHEET ANGLES)
	A22698	NUT	4		7.925 MM (5/16")
17	03H1540	BOLT	18		5/16" X 3/4"
	A22698	NUT	18		7.925 MM (5/16")
18	H135901	STRIPPER	2		
19	H86918	SCREW	AR		7.925 X 14.224 MM (5/16" X 0.560") (9400, 9500 - 2 USED; 9600 - 4 USED) (BUTTON HEAD) (ARC WELDED)
20	H113371	FLOOR	1		
21	H87337	PIN	6		31.750 X 162.560 MM (1-1/4" X 6.400") (SUB H147707, 19M7590 AND 14M7275)
	H92469	PIN	1		31.750 X 289.560 MM (1-1/4" X 11.400") (SUB H147711, 19M7590 AND 14M7275) L.H.
22	24H1111	WASHER	14		17/32" X 1-1/16" X 0.090"
23	19H2062	CAP SCREW	7		1/2" X 4"
	14H1040	NUT	7		1/2"
24	AH137774	KIT	1		
25	H137101	CLAMP	9		
26	H141678	CHANNEL	1		(LH GUIDE REINFORCEMENT)(WELDED)

A22

FRAME, STRIPPERS, DIVIDERS, AND PLATES

FRAME
920 (646301-656300)
HP5154 -UN-01JAN94



HP5154

A23

FRAME, STRIPPERS, DIVIDERS, AND PLATES

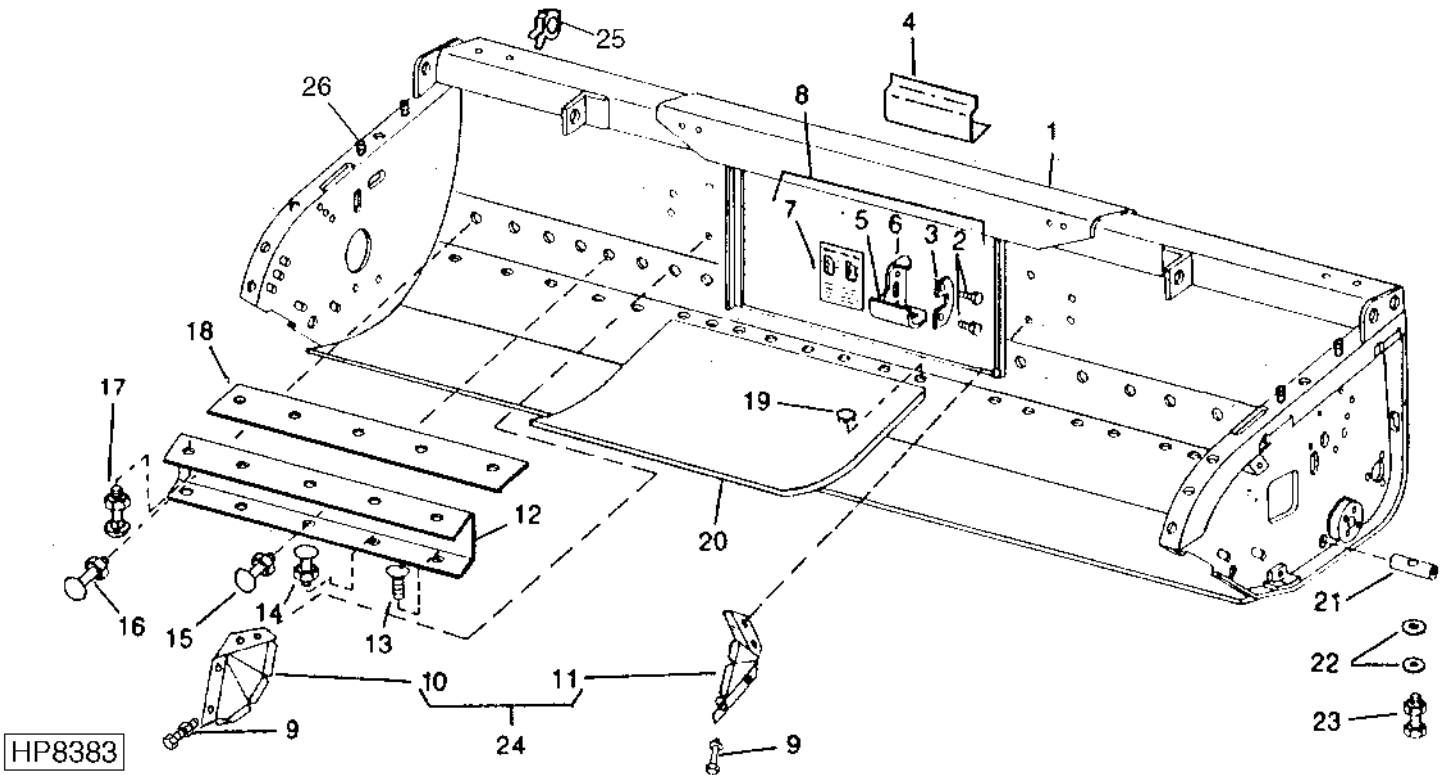
FRAME - CONTINUED 920 (646301-656300)

KEY	PART NO.	PART NAME	QTY	SERIAL NO.	REMARKS
1	AH141277	MAIN FRAME	1	-650000	(SUB AH141312 AND AH141977)
	AH141312	MAIN FRAME	1		(SUB AH143696)
	AH143696	MAIN FRAME	1		(920)
2	19M7784	SCREW	2		M10 X 20 (USE WITH QUIK-TACH AND NEW SERVICE FRAME)
3	H137143	PLATE	1		(USE WITH QUIK-TACH AND NEW SERVICE FRAME)
4	H141678	CHANNEL	1		(LH GUIDE REINFORCEMENT)(WELDED)
5	REINFORCEMENT	1		(USE WITH QUIK-TACH AND NEW SERVICE FRAME)
6	PLATE	1		(USE WITH QUIK-TACH AND NEW SERVICE FRAME)
7	H136751	DECAL	1		(INSTALLED ON L.H. SIDE OF BACKSHEET ONLY)
8	AH132905	PIN	1		R.H. (LATCH PIN ASSY)
	AH132906	PIN	1		L.H. (LATCH PIN ASSY)
9	03H1540	BOLT	8		5/16" X 3/4"
	12M7065	LOCK WASHER	8		8.100 MM (0.319")
	14H785	NUT	8		5/16"
10	SHIELD	1		(SUB AH137774) (8820)
11	SHIELD	1		(SUB AH137774) (8820)
12	H147565	SUPPORT	1		R.H.
	H147566	SUPPORT	1		L.H.
13	19H1905	CAP SCREW	2	-650000	5/16" X 1"
	24H1224	WASHER	2	-650000	11/32" X 1" X 1/16"
	19M7867	SCREW	6	650001-	M8 X 25
	24M7207	WASHER	6	650001-	8.400 X 24 X 2 MM (0.331" X 0.945" X 0.079")
14	03H1540	BOLT	14		5/16" X 3/4"
	A22698	NUT	14		7.925 MM (5/16")
15	03H1540	BOLT	14		5/16" X 3/4" (THRU BACKSHEET)
	A22698	NUT	14		7.925 MM (5/16")
16	03H1709	BOLT	4		5/16" X 1" (THRU BACKSHEET ANGLES)
	A22698	NUT	4		7.925 MM (5/16")
17	03H1540	BOLT	20		5/16" X 3/4"
	A22698	NUT	20		7.925 MM (5/16")
18	H131555	STRIPPER	2		
19	19M7139	CAP SCREW	6		M8 X 20 (9400, 9500 - 2 USED; 9600 - 4 USED)
					(BUTTON HEAD)
20	H113371	FLOOR	1		(ARC WELDED)
21	H87337	PIN	7		31.750 X 162.560 MM (1-1/4" X 6.400") (SUB H147707, 19M7590 AND 14M7275)
	H92469	PIN	1		31.750 X 289.560 MM (1-1/4" X 11.400") (SUB H147711, 19M7590 AND 14M7275) L.H.
22	24H1111	WASHER	14		17/32" X 1-1/16" X 0.090"
23	19H2062	CAP SCREW	7		1/2" X 4"
	14H1040	NUT	7		1/2"
24	AH137774	KIT	1		
25	H137101	CLAMP	9		

A24

FRAME, STRIPPERS, DIVIDERS, AND PLATES

FRAME
920 (656301-)
HP8383 -UN-25MAR99



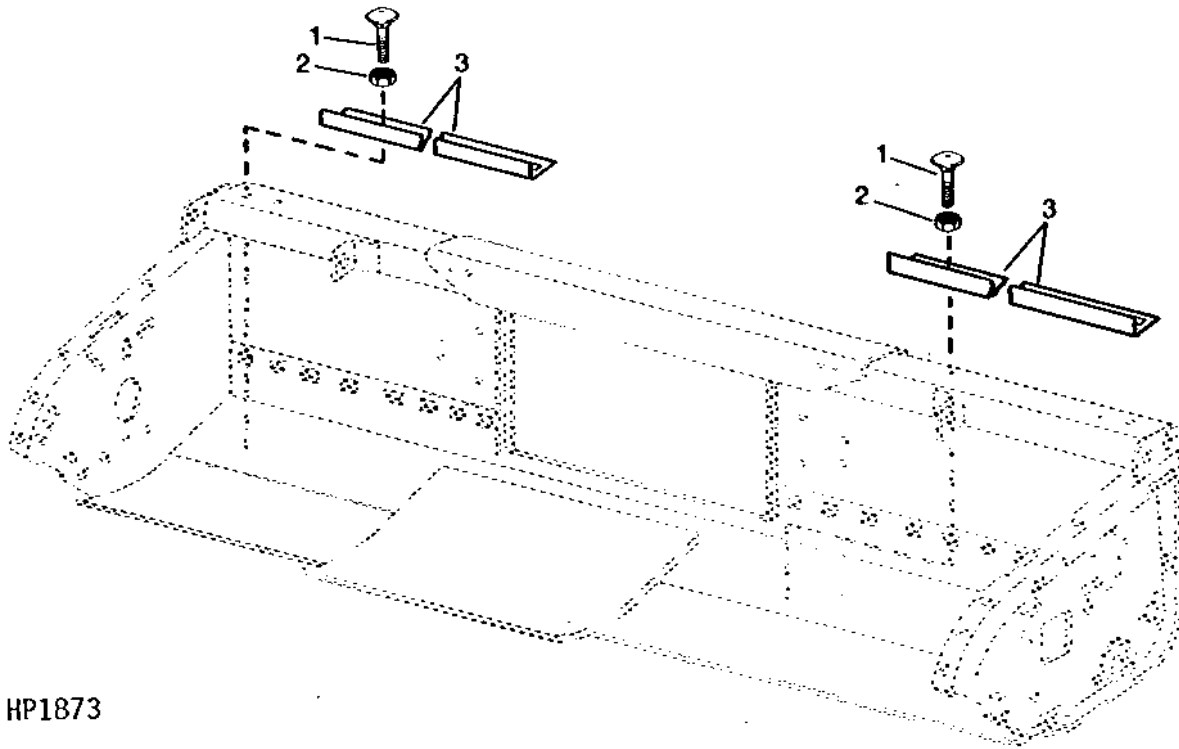
A25

FRAME, STRIPPERS, DIVIDERS, AND PLATES

FRAME - CONTINUED
920 (656301-)

KEY	PART NO.	PART NAME	QTY	SERIAL NO.	REMARKS
1	AH162435	MAIN FRAME	1		(SUB FOR AH161148 AND AH143696)
	AH141977	KIT	1		
2	19M7784	SCREW	2		M10 X 20 (USE WITH QUIK-TACH AND NEW SERVICE FRAME)
3	H137143	PLATE	1		(USE WITH QUIK-TACH AND NEW SERVICE FRAME)
4	H141678	CHANNEL	1		(LH GUIDE REINFORCEMENT)(WELDED)
5	REINFORCEMENT	1		(USE WITH QUIK-TACH AND NEW SERVICE FRAME)
6	PLATE	1		(USE WITH QUIK-TACH AND NEW SERVICE FRAME)
7	H136751	DECAL	1		(INSTALLED ON L.H. SIDE OF BACKSHEET ONLY)
8	AH132905	PIN	1		R.H. (LATCH PIN ASSY)
	AH132906	PIN	1		L.H. (LATCH PIN ASSY)
9	03H1540	BOLT	8		5/16" X 3/4"
	12M7065	LOCK WASHER	8		8.100 MM (0.319")
	14H785	NUT	8		5/16"
10	SHIELD	1		(SUB AH137774) (8820)
11	SHIELD	1		(SUB AH137774) (8820)
12	H147565	SUPPORT	1		R.H.
	H147566	SUPPORT	1		L.H.
13	19M7867	SCREW	2		M8 X 25
	24M7207	WASHER	2		8.400 X 24 X 2 MM
14	03M7184	BOLT	14		M8 X 20
	14M7298	FLANGE NUT	14		M8
15	03M7184	BOLT	14		M8 X 20 (THRU BACKSHEET)
	14M7298	FLANGE NUT	14		M8
16	03M7184	BOLT	4		M8 X 20 (THRU BACKSHEET ANGLES)
	14M7298	FLANGE NUT	4		M8
17	03M7184	BOLT	20		M8 X 20
	14M7298	FLANGE NUT	20		M8
18	H131555	STRIPPER	2		
19	19M7139	CAP SCREW	6		(9400, 9500 - 2 USED; 9600 - 4 USED) (BUTTON HEAD)
20	H113371	FLOOR	1		(ARC WELDED)
21	H147707	PIN	7		31.750 X 162.600 MM (1-1/4" X 6.402")
	H147711	PIN	1		31.750 X 289.600 MM (1-1/4" X 11.402") L.H.
22	24H1111	WASHER	14		17/32" X 1-1/16" X 0.090"
23	19M7590	CAP SCREW	7		M12 X 100
	14M7275	NUT	7		M12
24	AH137774	KIT	1		
25	H137101	CLAMP	9		
26	H110428	PIN	3		

FLOOR STRIPPER
918 (-635900)
 HP1873 -UN-01JAN94

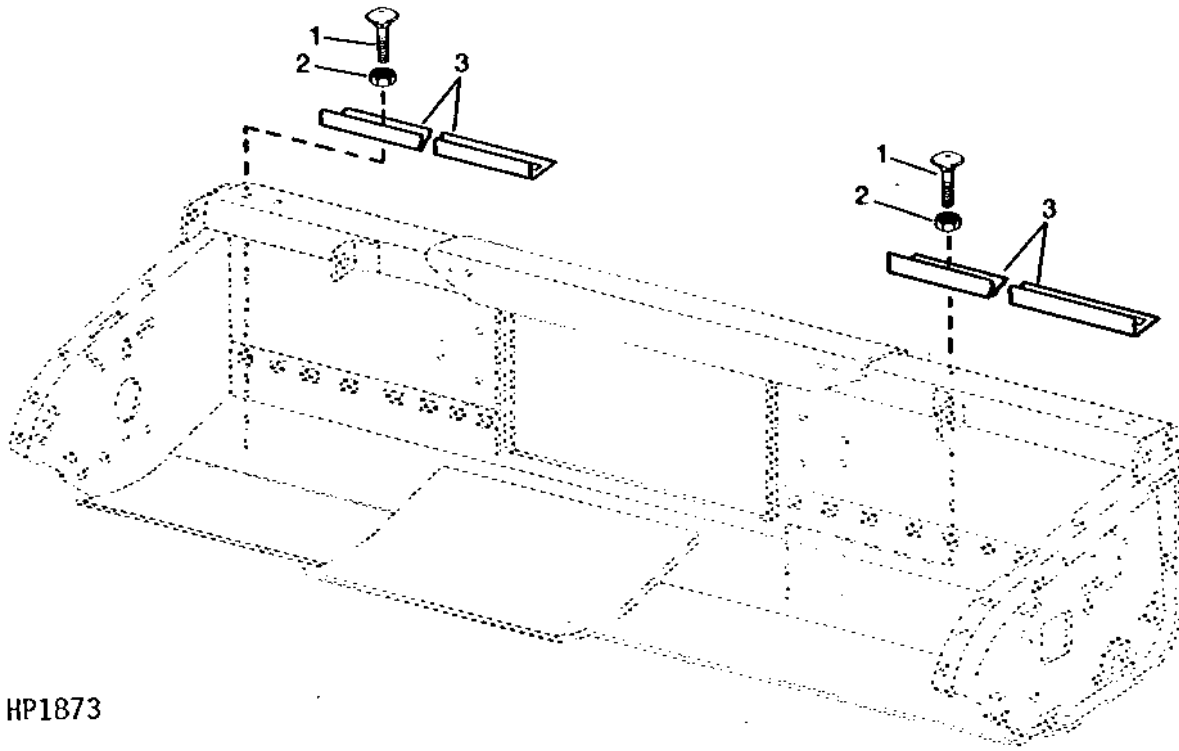


HP1873

KEY	PART NO.	PART NAME	QTY	SERIAL NO.	REMARKS
1	03H1540	BOLT	14	5/16" X 3/4"	
2	N10213	LOCK NUT	14	5/16"	
3	H105164	STRIPPER	2		

BH7720 (COMPLETE GOODS) STRIPPER - 18' FLOOR

FLOOR STRIPPER
920 (646301-656300)
 HP1873 -UN-01JAN94

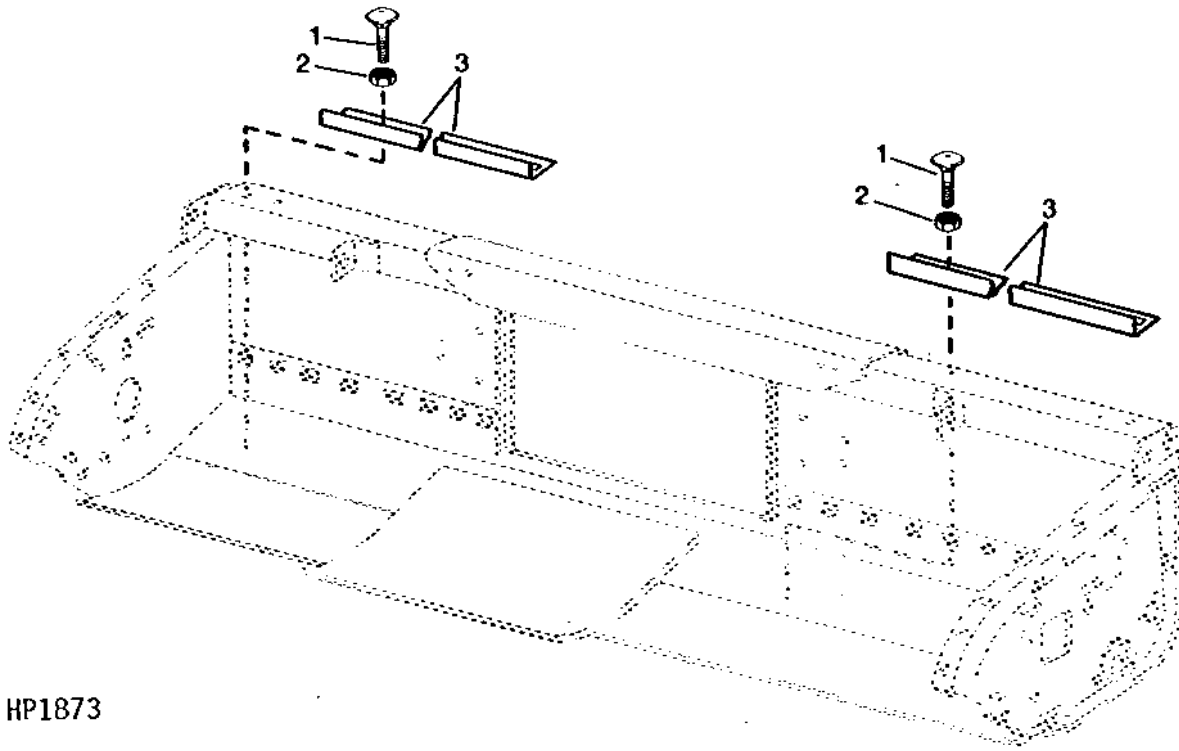


HP1873

KEY	PART NO.	PART NAME	QTY	SERIAL NO.	REMARKS
1	03H1540	BOLT	16	5/16" X 3/4"	
2	A22698	NUT	16	7.925 MM (5/16")	
3	H105165	STRIPPER	2		

BH77721 (COMPLETE GOODS) STRIPPER - 20' PLATFORM

FLOOR STRIPPER
920 (656301-)
 HP1873 -UN-01JAN94



HP1873

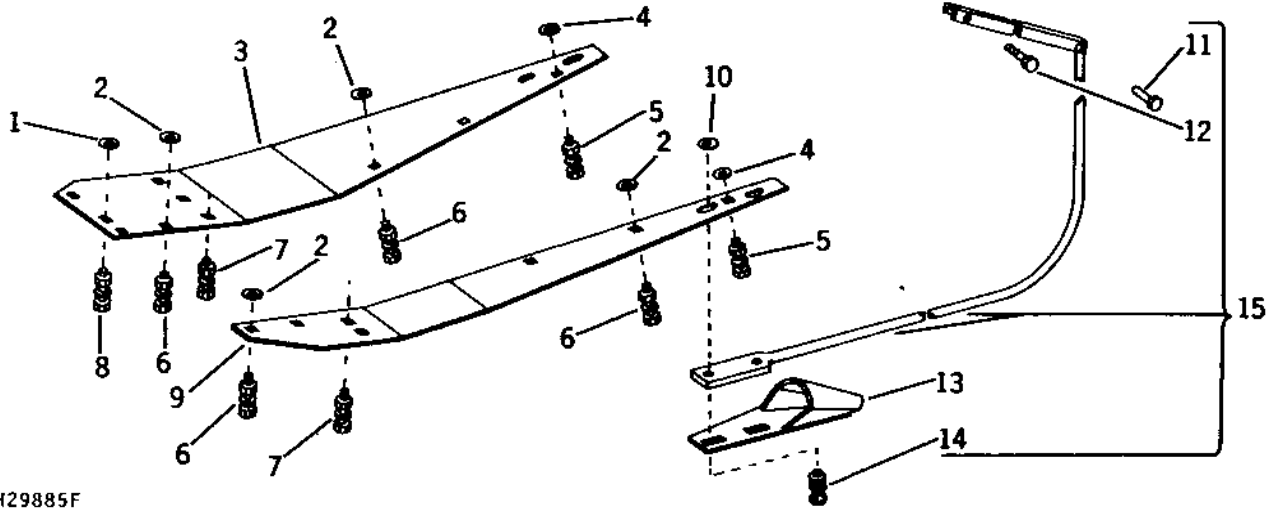
KEY	PART NO.	PART NAME	QTY	SERIAL NO.	REMARKS
1	03M7184	BOLT	16	M8 X 20	
2	14M7298	FLANGE NUT	16	M8	
3	H105165	STRIPPER	2		

BH77721 (COMPLETE GOODS) STRIPPER - 20' PLATFORM

B4

FRAME, STRIPPERS, DIVIDERS, AND PLATES

DIVIDER POINTS
918 (-635900)
 H29885F -UN-01JAN94



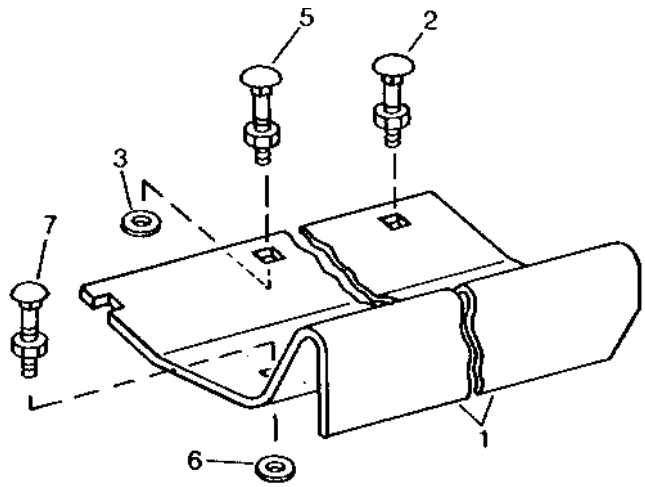
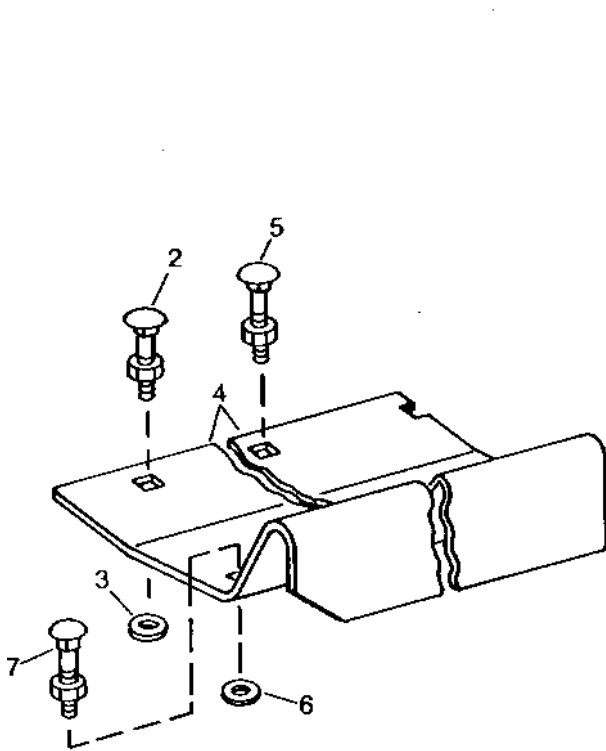
H29885F

KEY	PART NO.	PART NAME	QTY	SERIAL NO.	REMARKS
1	24H1111	WASHER	2	17/32" X 1-1/16" X 0.090"	
2	24H1305	WASHER	8	13/32" X 13/16" X 0.065"	
3	H96365	SHOE	1	(L.H.)	
4	24H1305	WASHER	2	13/32" X 13/16" X 0.065"	
5	10H1026	BOLT	2	3/8" X 1"	
	12H304	LOCK WASHER	2	3/8"	
	14H812	NUT	2	3/8"	
6	03H1500	BOLT	8	3/8" X 1"	
	12H304	LOCK WASHER	8	3/8"	
	14H812	NUT	8	3/8"	
7	03H1659	BOLT	5	1/2" X 1"	
	12H301	LOCK WASHER	5	1/2"	
	14H1040	NUT	5	1/2"	
8	03H1731	BOLT	2	1/2" X 1-1/2"	
	12H301	LOCK WASHER	2	1/2"	
	14H1040	NUT	2	1/2"	
9	H96364	SHOE	1	(R.H.)	
10	24H1136	WASHER	4	11/32" X 11/16" X 0.065"	
11	16H1357	RIVET	2	3/8" X 1-1/2"	
12	19H1801	CAP SCREW	2	3/8" X 2"	
	H95174	LOCK NUT	2	9.525 MM (3/8")	
13	AH93794	POINT	2	LOOP DIVIDER	
14	19H1906	CAP SCREW	4	5/16" X 1-1/2"	
	12M7065	LOCK WASHER	4	8.100 MM (0.319")	
	14H785	NUT	4	5/16"	
15	AH92459	CROP DIVIDER	2		

B5

FEED PLATES

918 (-635900)
HP3308 -UN-01JAN94



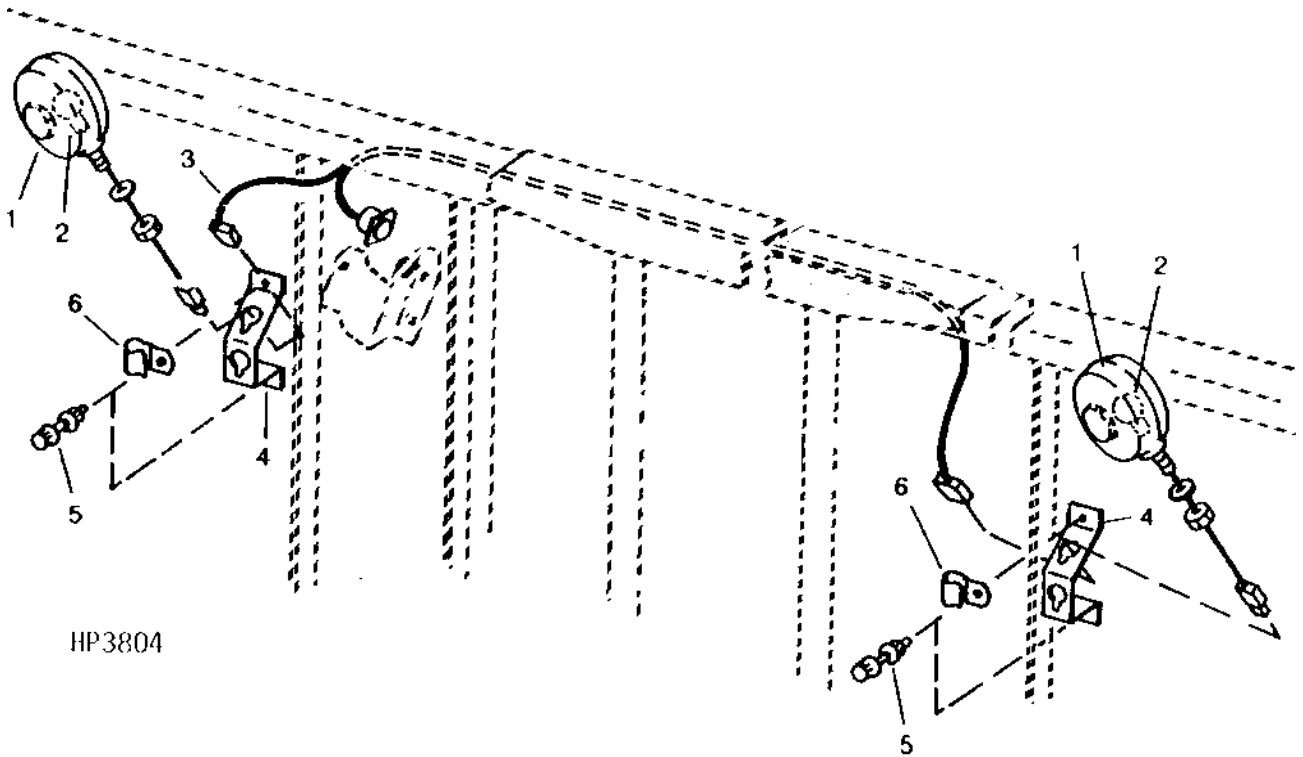
HP3308

KEY	PART NO.	PART NAME	QTY	SERIAL NO.	REMARKS
1	H109212	PLATE	1	(L.H.)	
2	03H1659	BOLT	2	1/2" X 1"	
	12H301	LOCK WASHER	2	1/2"	
	14H1040	NUT	2	1/2"	
3	24H1111	WASHER	2	17/32" X 1-1/16" X 0.090"	
4	H109211	PLATE	1	(R.H.)	
5	03H1540	BOLT	4	5/16" X 3/4"	
	N10213	LOCK NUT	4		
6	24H1305	WASHER	12	13/32" X 13/16" X 0.065"	
7	03H1500	BOLT	12	3/8" X 1"	
	12H304	LOCK WASHER	12	3/8"	
	14H812	NUT	12	3/8"	

B6

STUBBLE LIGHTS (OPTIONAL)

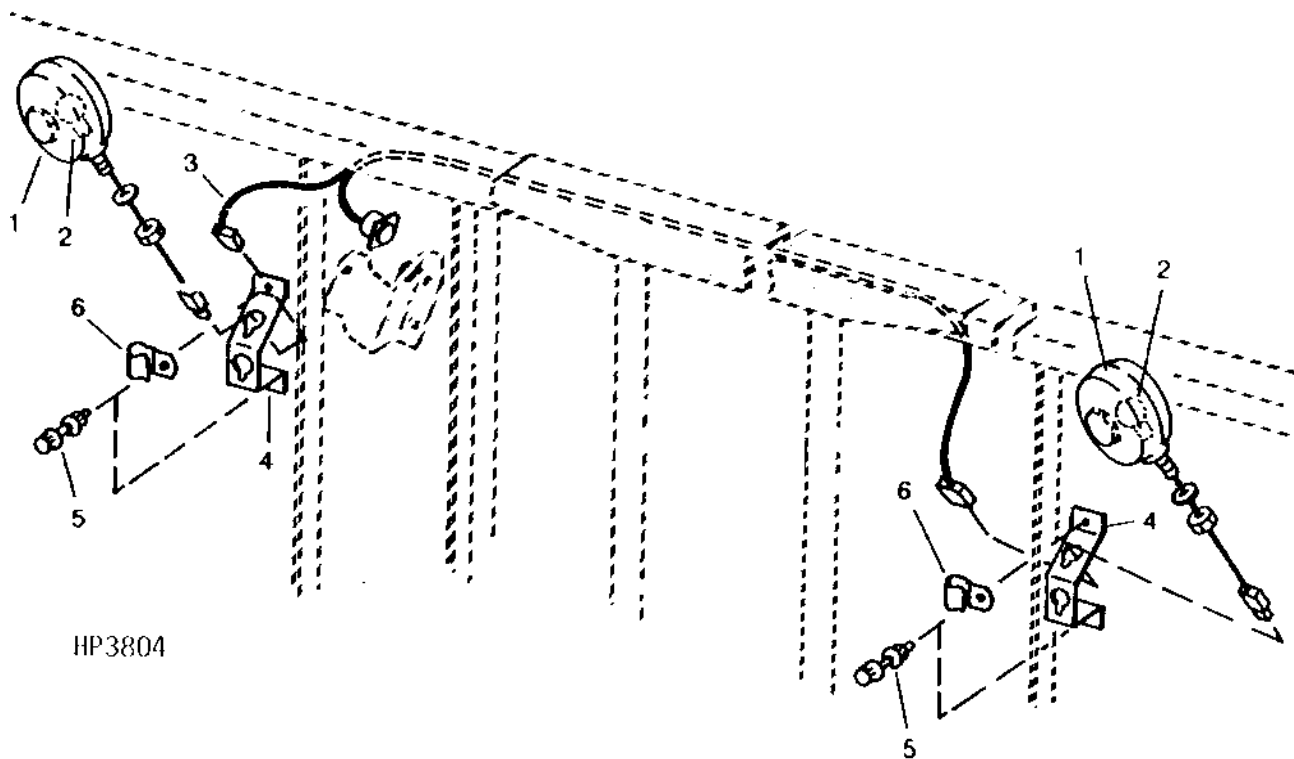
918 (-635900)
 HP3804 -UN-01JAN94



KEY	PART NO.	PART NAME	QTY	SERIAL NO.	REMARKS
1	AH164499	LAMP	2		
2	AD2062R	BULB	2		
3	AH134204	WIRING HARNESS	1	-640499	(USE WITH H140664 AND 37M7066)
	AH134252	WIRING HARNESS	1	640500-	
4	H137423	BRACKET	2		
5	19M7775	SCREW	4		M6 X 16
	14M7303	FLANGE NUT	4		M6
6	AH89557	CLIP	2		
..	H140664	CONNECTOR	1		(USE IF NO HARNESS ON PLATFORM)
..	37M7066	SCREW	2		(THRU CONNECTOR INTO BRACKET)
BH81264 (COMPLETE GOODS) STUBBLE LIGHTS					

STUBBLE LIGHTS (OPTIONAL)

920 (646301-)
 HP3804 -UN-01JAN94

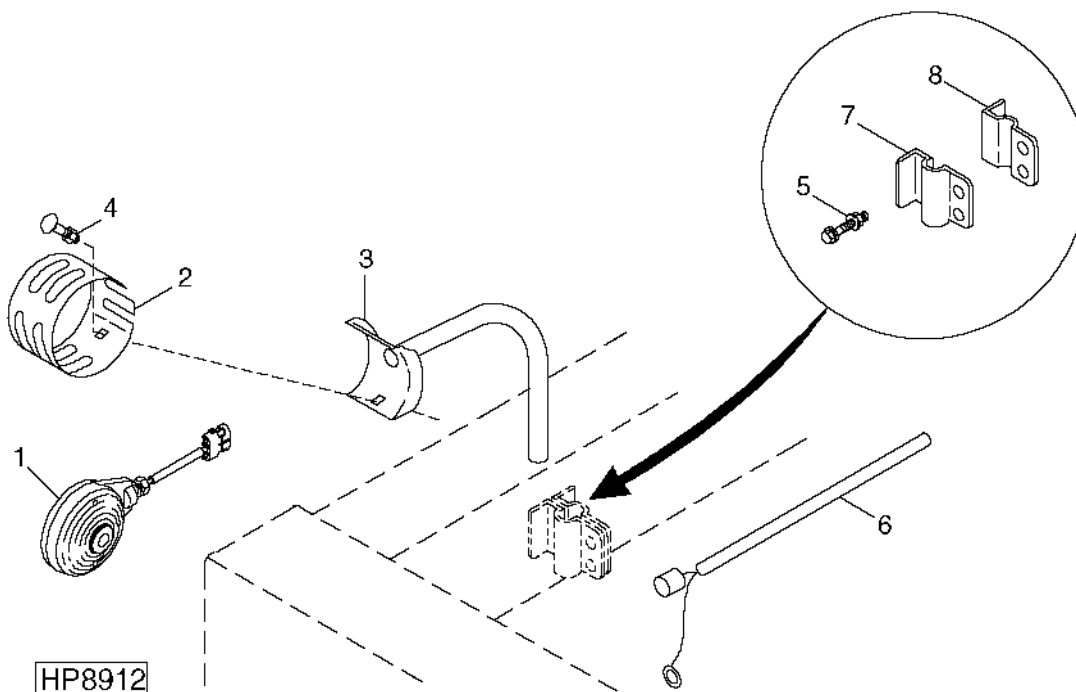


KEY	PART NO.	PART NAME	QTY	SERIAL NO.	REMARKS
1	AH164499	LAMP	2		
2	AD2062R	BULB	2		
3	AH134252	WIRING HARNESS	1		
4	H137423	BRACKET	2		
5	19M7775	SCREW	4		M6 X 16
	14M7303	FLANGE NUT	4		M6
6	AH89557	CLIP	2		
..	H151036	PIN CONTACT CONNECTOR BODY	1	661301-	(TO SINGLE PIN FOR MARKER LIGHT HARNESS)
..	AH164791	WIRING HARNESS	1		ADAPTOR 16-PIN HEAD TO 31-PIN COMBINE
..	AH166180	WIRING HARNESS	1		ADAPTOR 31-PIN HEAD TO 16-PIN COMBINE

BH81264 (COMPLETE GOODS) STUBBLE LIGHTS

B8

MARKER LIGHTS
918 (-635900)
 HP8912 -UN-12AUG99

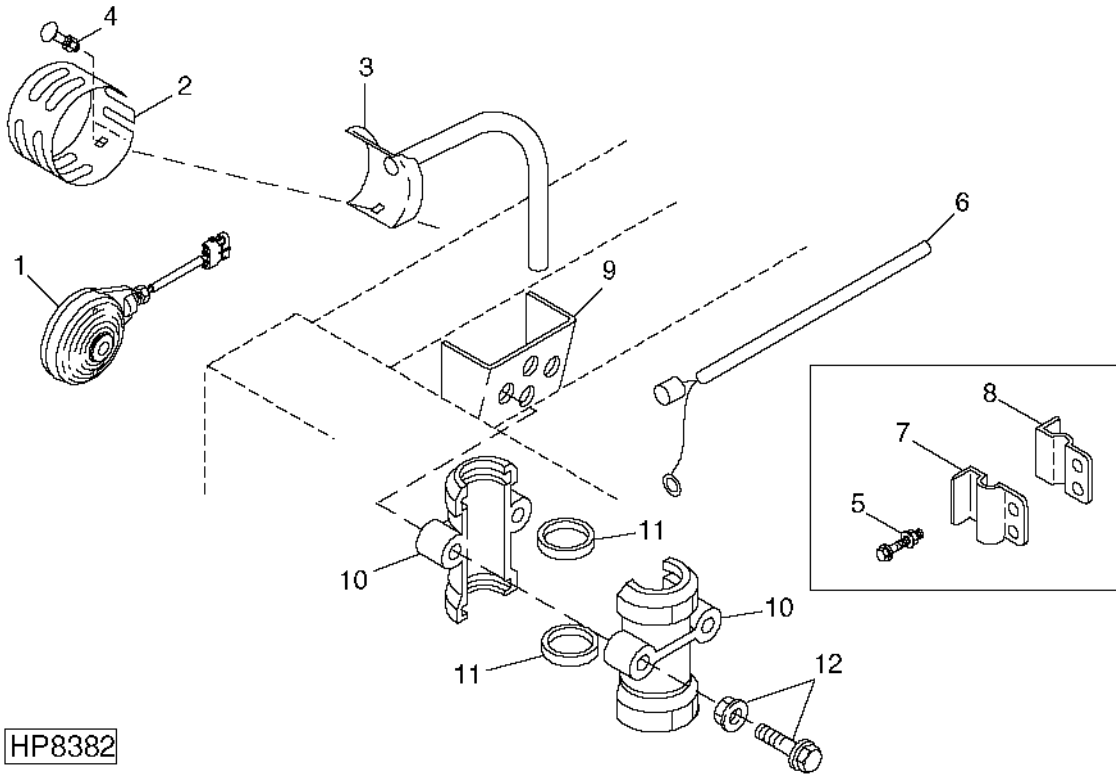


KEY	PART NO.	PART NAME	QTY	SERIAL NO.	REMARKS
1	AH164497	LAMP	2		
	R78053	PIN CONTACT CONNECTOR BODY	1		
	R78058	PIN CONTACT	2		
	R78059	ELECTRICAL PLUG	2		
2	H143317	SHIELD	2		
3	AH136653	TUBE	2		(BRACKET ASSY)
4	03M7183	BOLT	4	M8 X 16	
	14M7298	FLANGE NUT	4	M8	
5	19M7867	SCREW	4	M8 X 25	
	14M7298	FLANGE NUT	4	M8	
6	WIRING HARNESS	1		
7	H139073	HALF CLAMP	2		R.H. (WELDED)
8	H139072	HALF CLAMP	2		L.H. (WELDED)

B9

MARKER LIGHTS

920 (646301-)
 HP8382 -UN-27AUG99



HP8382

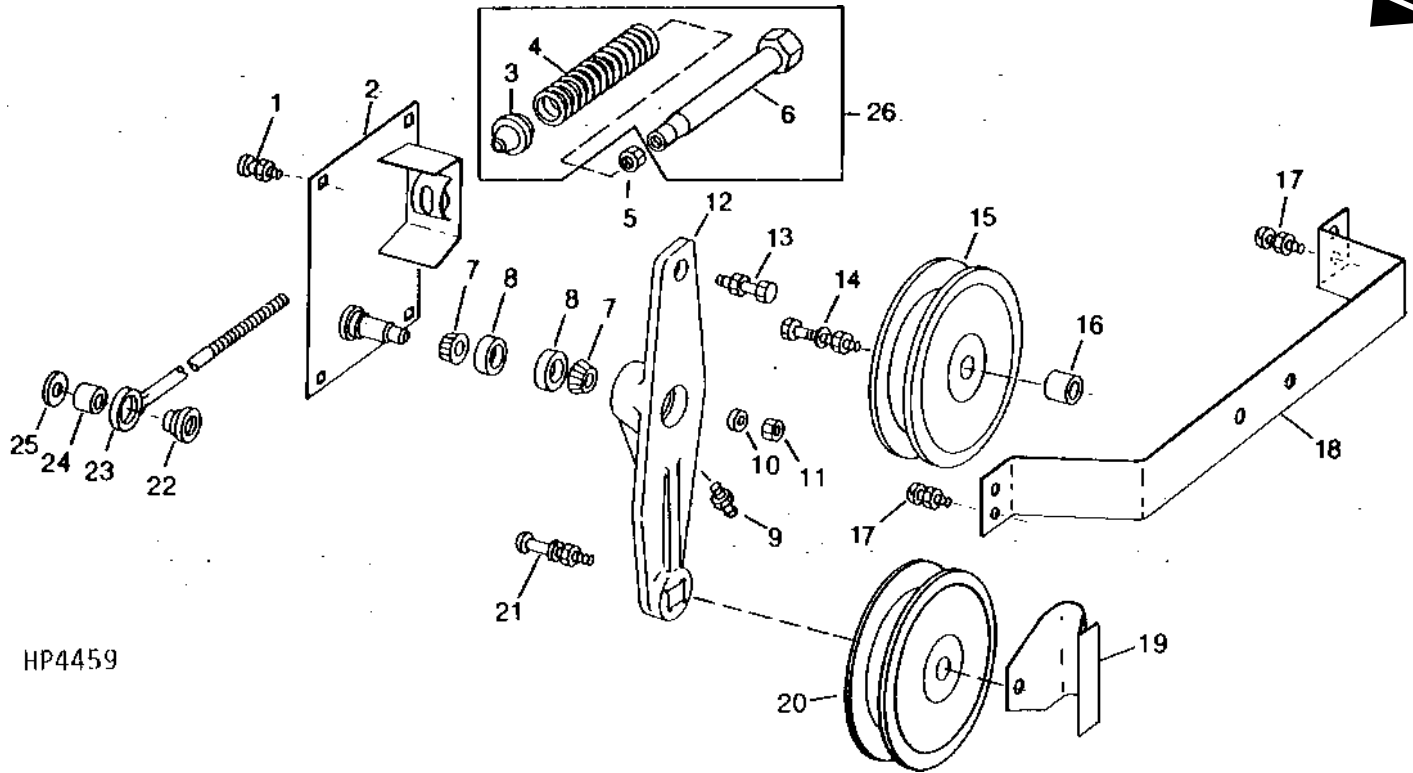
KEY	PART NO.	PART NAME	QTY	SERIAL NO.	REMARKS
1	AH164497	LAMP	2		
	R78053	PIN CONTACT CONNECTOR BODY	1		
	R78058	PIN CONTACT	2		
	R78059	ELECTRICAL PLUG	2		
2	H143317	SHIELD	2		
3	AH136653	TUBE	1		(BRACKET ASSY) (SUB AH155215 AND AH155216)
	AH155215	BRACKET	1		R.H.
	AH155216	BRACKET	1		L.H.
4	03M7183	BOLT	4		M8 X 16
	14M7298	FLANGE NUT	4		M8
5	19M7867	SCREW	4	-685300	M8 X 25
	14M7298	FLANGE NUT	4	-685300	M8
6	WIRING HARNESS	1	-646300	(ORDER BH81133)
	AH134208	WIRING HARNESS	1	646301-661300	
	AH143369	WIRING HARNESS	1	661301-	
7	H139073	HALF CLAMP	2	-685300	R.H. (WELDED)
8	H139072	HALF CLAMP	2	-685300	L.H. (WELDED)
9	AH155397	BRACKET	2	685301-	
10	H161618	HOUSING	2	685301-	
11	H136110	ISOLATOR	2	685301-	
12	19M7809	SCREW	4	685301-	M10 X 70
	14M7296	FLANGE NUT	4	685301-	M10
..	R44302	TIE BAND	1		TO SECURE HARNESS

BH81374 (COMPLETE GOODS) MARKER LIGHTS
 BH81379 (COMPLETE GOODS) MARKER LIGHT CONVERSION

B12

KNIFE, CUTTERBAR, AND DRIVES

KNIFE DRIVE IDLER AND TIGHTENER
 918 (-635900) 920 (646301-656300)
 HP4459 -UN-01JAN94



HP4459

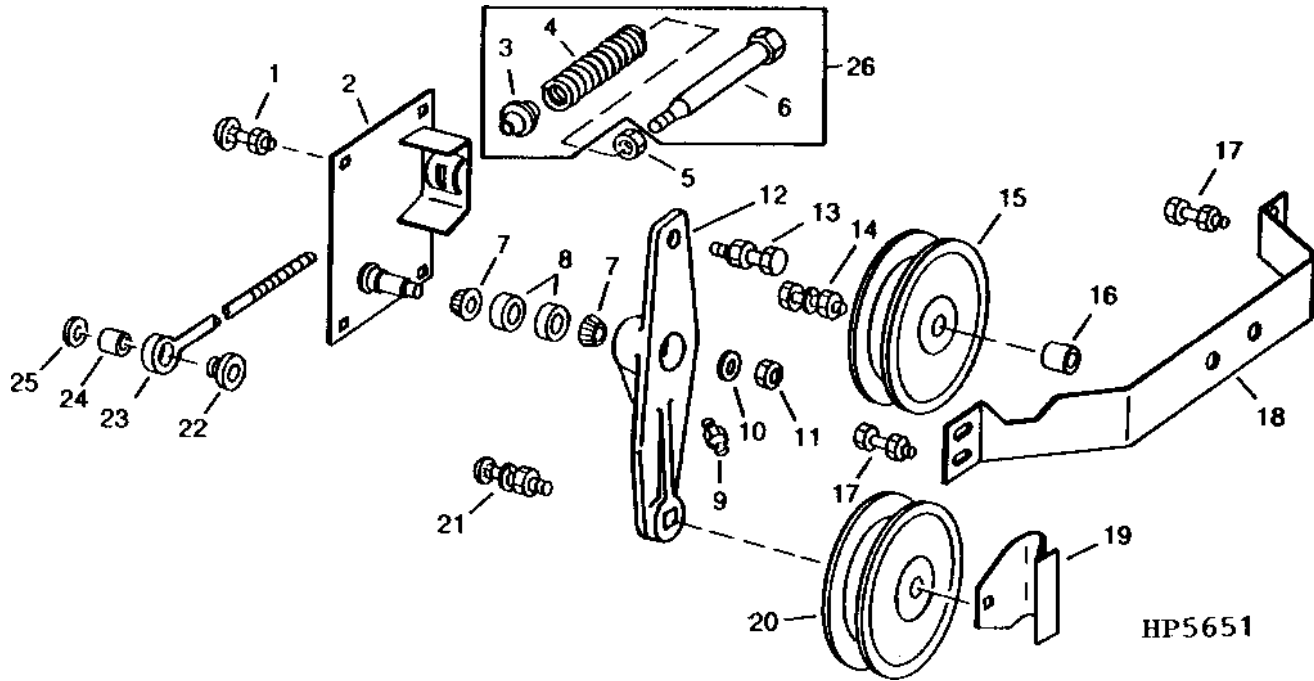
KEY	PART NO.	PART NAME	QTY	SERIAL NO.	REMARKS
1	03H1765	BOLT	4		3/8" X 3/4"
	E55662	FLANGE NUT	4		3/8"
2	AH88834	SUPPORT	1		(SUB AH143402 AND 14M7275)
3	H124240	PIVOT	1	-635900	(SUB AH138225)
4	H124241	COMPRESSION SPRING	1	-635900	(SUB AH138225)
5	14H1040	NUT	1	-650300	1/2"
6	AH120634	SPACER	1	-635900	(SUB AH138225)
7	JD8914	BEARING CONE	2		
8	JD8244	BEARING CUP	2		
9	JD7759	LUBRICATION FITTING	1		
10	24H1790	WASHER	1		17/32" X 1-1/2" X 0.164"
11	14H826	NUT	1		1/2"
12	H124242	ARM	1		
13	09H1590	BOLT	1		3/8" X 1-1/2"
	E55662	FLANGE NUT	1		3/8"
14	19H1847	CAP SCREW	1		5/8" X 2-1/2"
	12H294	LOCK WASHER	1		5/8"
	14H1039	NUT	1		5/8"
15	AN15237	IDLER	1		202 MM (7-15/16") DIA.
16	P50273	BUSHING	1		16.662 X 25.222 X 16.662 MM
17	03H1500	BOLT	4		3/8" X 1"
	E55662	FLANGE NUT	4		3/8"
18	H87367	SUPPORT	1		(SUB H147799)
	H147799	SUPPORT	1		
19	H91305	HANDLE	1		
20	AH66202	SHEAVE	1		178 MM (7") DIA.
21	03H1629	BOLT	1		5/8" X 2-1/4"
	12H294	LOCK WASHER	1		5/8"
	14H821	NUT	1		5/8"
22	H87042	BUSHING	1		
23	H87051	EYEBOLT	1	-650300	
	H148462	EYEBOLT	1	650301-	(USE WITH AH143354)
24	H87507	BUSHING	1		9.931 X 19.050 X 16.256 MM
25	24H1176	WASHER	1		13/32" X 1-1/4" X 0.100"
	14M7178	NUT	1	650300-	M16
26	AH138225	KIT	1	-650300	(SUB AH143354, H148462, 24H1219, H148464, 14M7272 AND AH143402)

B13

KNIFE, CUTTERBAR, AND DRIVES

KNIFE DRIVE IDLER AND TIGHTENER

920 (656301-)
HP5651 -UN-01JAN94



HP5651

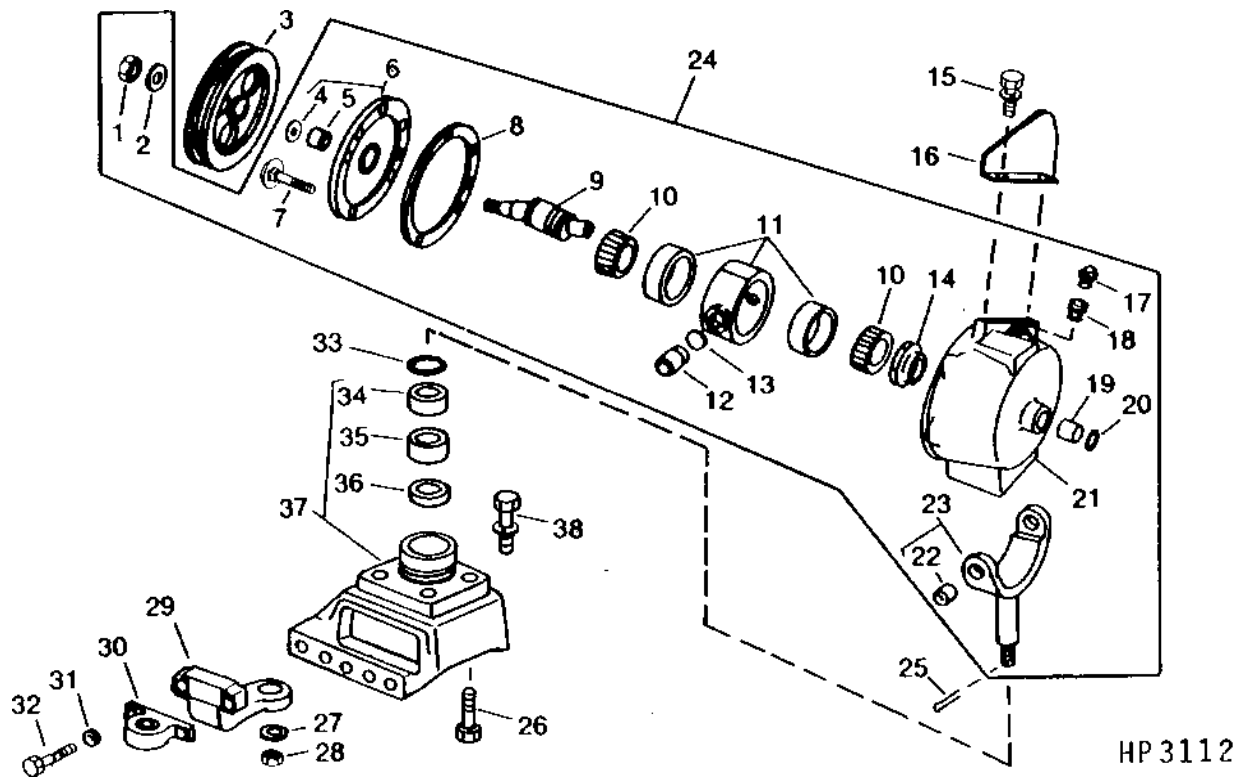
KEY	PART NO.	PART NAME	QTY	SERIAL NO.	REMARKS
1	03M7190	BOLT	4	M10 X 20	
	14M7296	FLANGE NUT	4	M10	
2	AH143402	SUPPORT	1		
3	H148463	PIVOT	1	(SUB AH143354)	
4	COMPRESSION SPRING	1	(SUB AH143354)	
5	14M7260	NUT	1	M16	
6	AH142417	SPACER	1	(SUB AH143354)	
7	JD8914	BEARING CONE	2		
8	JD8244	BEARING CUP	2		
9	JD7759	LUBRICATION FITTING	1		
10	24H1790	WASHER	1	17/32" X 1-1/2" X 0.164"	
11	14M7275	NUT	1	M12	
12	H124242	ARM	1		
13	09H1590	BOLT	1	3/8" X 1-1/2"	
	E55662	FLANGE NUT	1	3/8"	
14	19M7824	SCREW	1	M16 X 60	
	14M7291	FLANGE NUT	1	M16	
15	AN15237	IDLER	1	202 MM (7-15/16") DIA.	
16	P50273	BUSHING	1	16.662 X 25.222 X 16.662 MM (21/32" X 0.993" X 21/32")	
17	03H1500	BOLT	4	3/8" X 1"	
	E55662	FLANGE NUT	4	3/8"	
18	H147799	SUPPORT	1		
19	H91305	HANDLE	1		
20	AH66202	SHEAVE	1	178 MM (7") DIA.	
21	03M7209	BOLT	1	M16 X 60	
	14M7291	FLANGE NUT	1	M16	
22	H87042	BUSHING	1		
23	H148462	EYEBOLT	1		
24	H148464	SPACER	1	10 X 19.050 X 17.500 MM (0.394" X 3/4" X 0.689")	
25	24H1219	WASHER	1	7/16" X 1" X 0.083"	
26	AH143354	KIT	1		

MEMORANDA

B14

KNIFE, CUTTERBAR, AND DRIVES

KNIFE DRIVE CASE
918 (-635900)
HP3112 -UN-01JAN94



HP 3112

B15

KNIFE, CUTTERBAR, AND DRIVES

KNIFE DRIVE CASE - CONTINUED

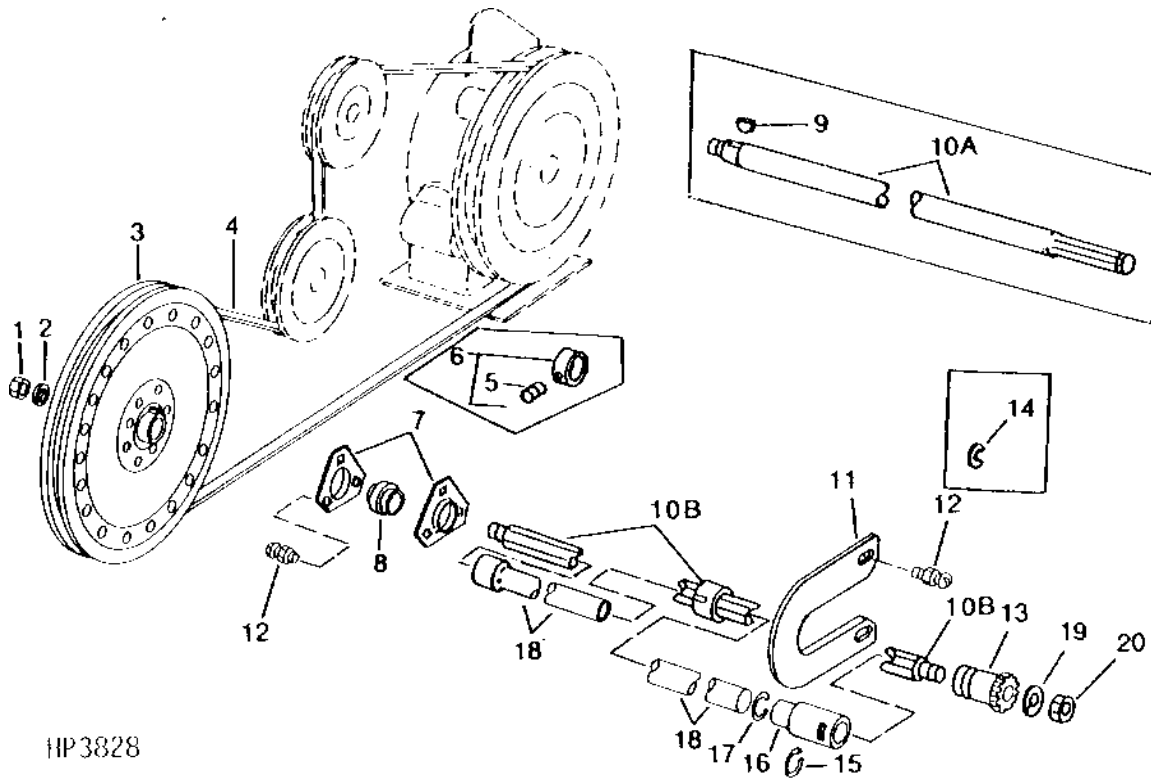
918 (-635900)

KEY	PART NO.	PART NAME	QTY	SERIAL NO.	REMARKS
1	E43336	LOCK NUT	1		19.050 MM (3/4")
2	24H1399	WASHER	1		25/32" X 1-5/8" X 0.180"
3	E78705	SHEAVE	1		279 MM (11") DIA., DRIVEN
4	AT21780	SEAL	1		(SUB FOR AE28861)
5	AE38359	BEARING	1		
6	AE38566	COVER	1		
7	19H2705	CAP SCREW	6		5/16" X 1"
8	TY15130	SEALANT	1		
9	E60129	SHAFT	1		WOBBLE, (SUB AE55172)
	AE55172	YOKE	1		
10	JD9088	BEARING CONE	2		
11	AE46307	HOUSING	1		(WITH BRGS AND SPINDLES)
12	SPINDLE	2		(ORDER AE46307)
13	DISK	2		(ORDER AE46307)
14	E59303	NUT	1		49.225 MM (1-15/16") STAKE
15	19H1813	CAP SCREW	2		5/16" X 5/8"
	12M7065	LOCK WASHER	2		8.100 MM (0.319")
16	H88061	SHIELD	1		
17	AE38448	RELIEF VALVE	1		
18	15H511	PIPE BUSHING	1		3/8" X 1/8"
19	JD9977	NEEDLE BEARING	1		
20	AE47781	SEAL	1		(SUB FOR AT10907)
21	AE35151	HOUSING	1		
22	E57837	BUSHING	2		
23	AE38050	YOKE	1	-656328	(SUB AE51772)
	AE51772	UNIVERSAL JOINT YOKE	1		(INCLUDES E57837)
24	AE41481	DRIVE	1		
25	11M7032	COTTER PIN	1		5 X 50 MM
26	19H3343	CAP SCREW	4		5/8" X 2"
27	E58308	WASHER	1		19.837 X 50.800 X 7.925 MM (25/32" X 2" X 5/16") THRUST
28	14H912	NUT	1		3/4"
29	E52444	ARM	1		
30	H98780	CLAMP	1		
31	T29342	WASHER	2		17/32" X 1-1/4" X 0.180"
32	19H2473	CAP SCREW	2		1/2" X 1-3/4"
33	T14065	O-RING	1		66.269 X 3.531 MM (2-39/64" X 0.139")
34	JD9861	NEEDLE BEARING	1		INNER
35	JD9861	NEEDLE BEARING	1		OUTER
36	AE46661	SEAL	1	-640600	(SUB AE49271)
	AE49271	SEAL	1		
37	AH116639	SUPPORT	1		(MARKED H120113)
38	19H1972	CAP SCREW	2		1/2" X 1"
	12H301	LOCK WASHER	2		1/2"

B16

KNIFE, CUTTERBAR, AND DRIVES

CUTTERBAR DRIVE
918 (-635900)
 HP3828 -UN-01JAN94



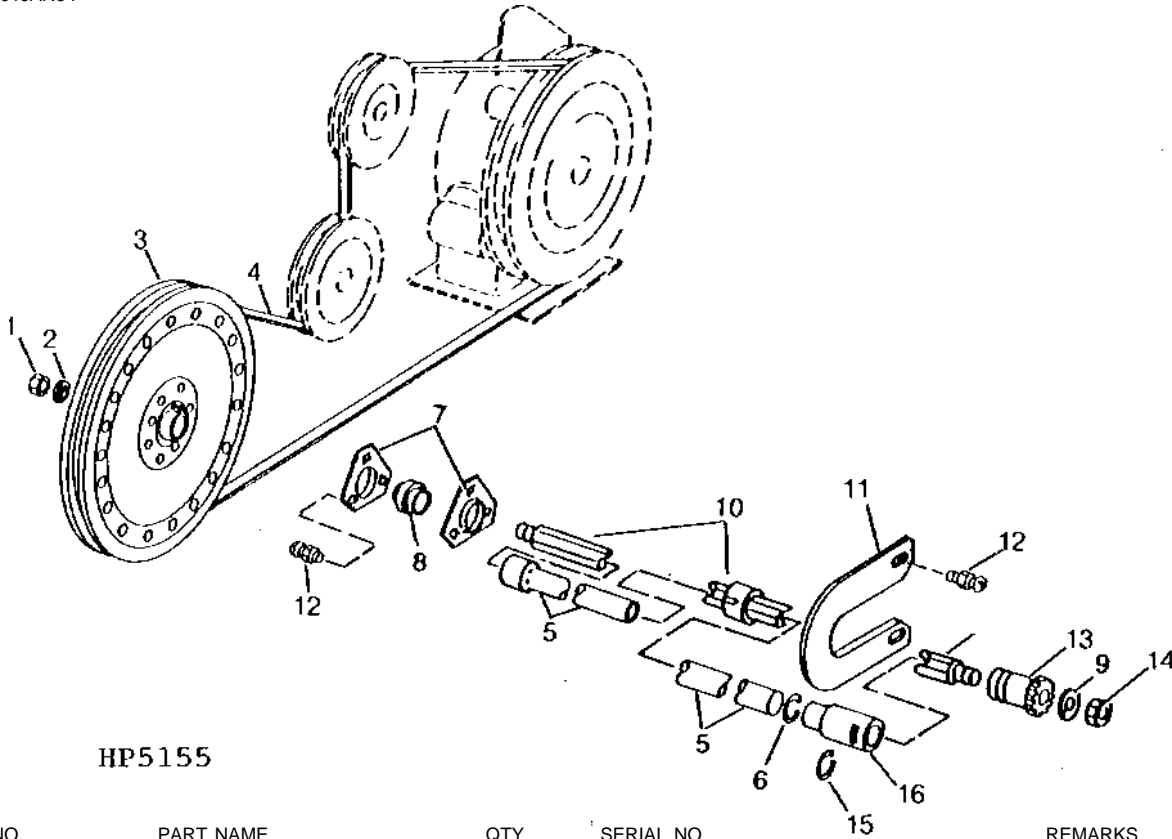
HP3828

KEY	PART NO.	PART NAME	QTY	SERIAL NO.	REMARKS
1	14H904	NUT	1	-635100	3/4", (SUB W29648)
	W29648	LOCK NUT	1	635101-	19.050 MM (3/4")
2	24H1399	WASHER	1		25/32" X 1-5/8" X 0.180"
3	AH87948	SHEAVE	1	-625800	340MM (13-3/8") DIA. (STANDARD) (596 RPM)
	AH93628	SHEAVE	1	-625800	302MM (11-7/8") DIA. (OPTIONAL) (529 RPM)
	AH87948	SHEAVE	1	-635100	340MM (13-3/8") DIA. (FAST SPEED) (ROUND)
	AH124524	SHEAVE	1	635101-	340MM (13-3/8") DIA. (FAST SPEED) (HEX)
	AH93628	SHEAVE	1	-635100	302MM (11-7/8") DIA. (MEDIUM SPEED) (ROUND)
	AH124525	SHEAVE	1	635101-	302MM (11-7/8") DIA. (MEDIUM SPEED) (HEX)
	AH97335	SHEAVE	1	-635100	264MM (10-3/8") DIA. (SLOW SPEED) (ROUND)
	AH124526	SHEAVE	1	635101-	264MM (10-3/8") DIA. (SLOW SPEED) (HEX)
4	H25641	BELT	1	-625800	(STANDARD) (596 RPM)
	H25641	BELT	1		(OPTIONAL) (596 RPM)
	H33473	BELT	1	-625800	(OPTIONAL) (529 RPM)
	H33473	BELT	1		(STANDARD) (529 RPM)
5	22H897	SET SCREW	1	-635100	1/4" X 1/4"
6	JD8594	ECCENTRIC LOCKING COLLAR	1	-635100	
7	H103265	PRESSED FLANGED HOUSING	2		
8	AH10515	BALL BEARING	1	-635100	
	AN102010	BEARING	1	635101-	
9	26H82	SHAFT KEY	1	-635100	1/4" X 7/8"
10A	H97429	DRIVE SHAFT	1	-635100	(L.H.)
10B	AH131525	SHAFT	1	635101-	(L.H.) (SUB AH141463)
11	H87226	BRACKET	1		
12	03H1765	BOLT	5		3/8" X 3/4"
	E55662	FLANGE NUT	5		9.525 MM (3/8")
13	AH91784	CHAIN SPROCKET	1		14 TEETH
14	H80926	SNAP RING	1	-635100	
15	E62951	UNIVERSAL JOINT BEARING	1		
16	H93439	SHIELD	1		
17	P50419	SNAP RING	1		
18	H97709	SHIELD	1	-635100	(L.H.)
	AH126377	SHIELD	1	635101-	(L.H.) (CUT TO LENGTH)
19	12H236	LOCK WASHER	1	635101-	3/4"
20	E43336	LOCK NUT	1	635101-	3/4"

B17

KNIFE, CUTTERBAR, AND DRIVES

CUTTERBAR DRIVE
920 (646301-656300)
 HP5155 -UN-01JAN94



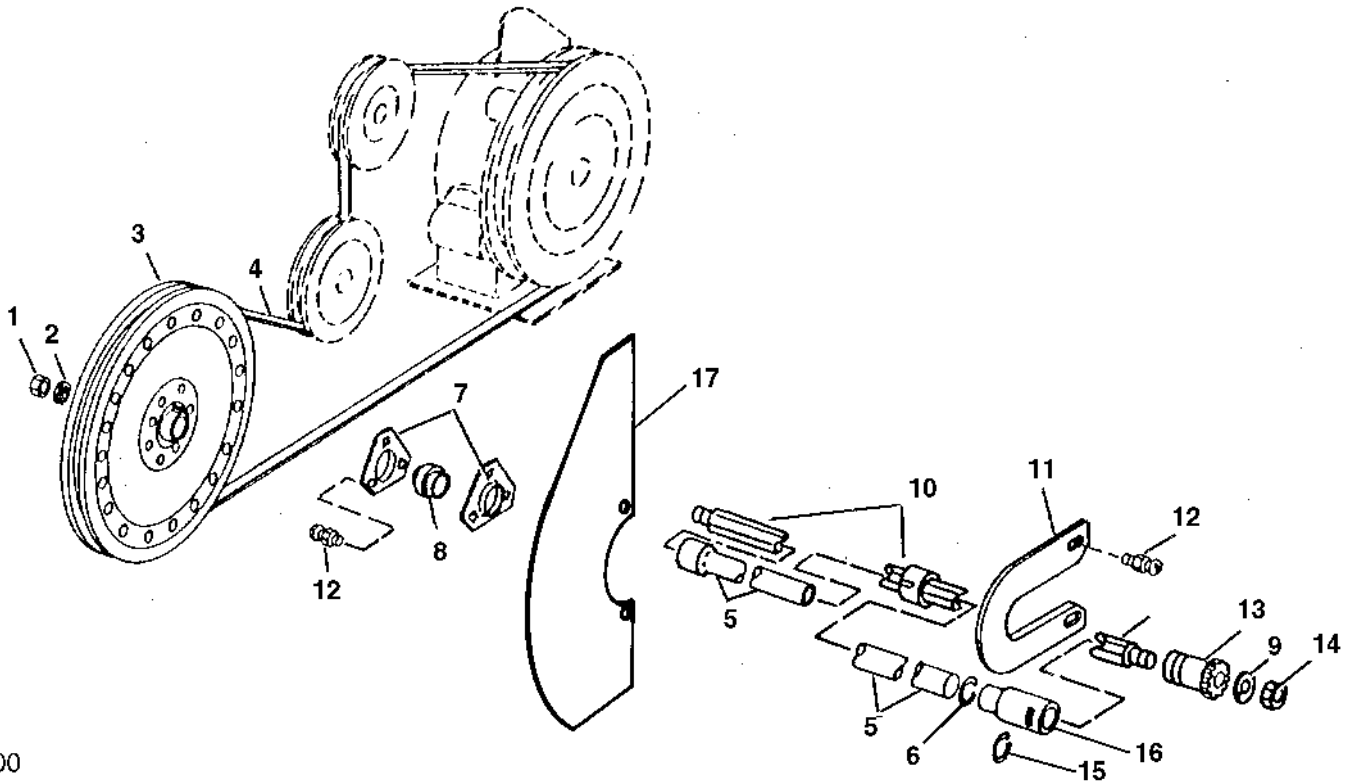
HP5155

KEY	PART NO.	PART NAME	QTY	SERIAL NO.	REMARKS
1	W29648	LOCK NUT	1	3/4"	
2	24H1399	WASHER	1	25/32" X 1-5/8" X 0.180"	
3	AH135569	SHEAVE	1		
4	H33473	BELT	1	(STANDARD) (529 RPM)	
5	AH126377	SHIELD	1	(L.H.) (CUT TO LENGTH)	
6	P50419	SNAP RING	1		
7	H103265	PRESSED FLANGED HOUSING	2		
8	AN102010	BEARING	1		
9	12H236	LOCK WASHER	1	3/4"	
10	AH131526	SHAFT	1	(L.H.) (SUB AH141464)	
11	H94980	BRACKET	1		
12	03H1765	BOLT	5	3/8" X 3/4"	
	E55662	FLANGE NUT	5	9.525 MM (3/8")	
13	AH91784	CHAIN SPROCKET	1	14 TEETH	
14	E43336	LOCK NUT	1	3/4"	
15	E62951	UNIVERSAL JOINT BEARING	1		
16	H93439	SHIELD	1		

B18

KNIFE, CUTTERBAR, AND DRIVES

CUTTERBAR DRIVE
920 (656301-685000)
 HP6800 -UN-24JUL97



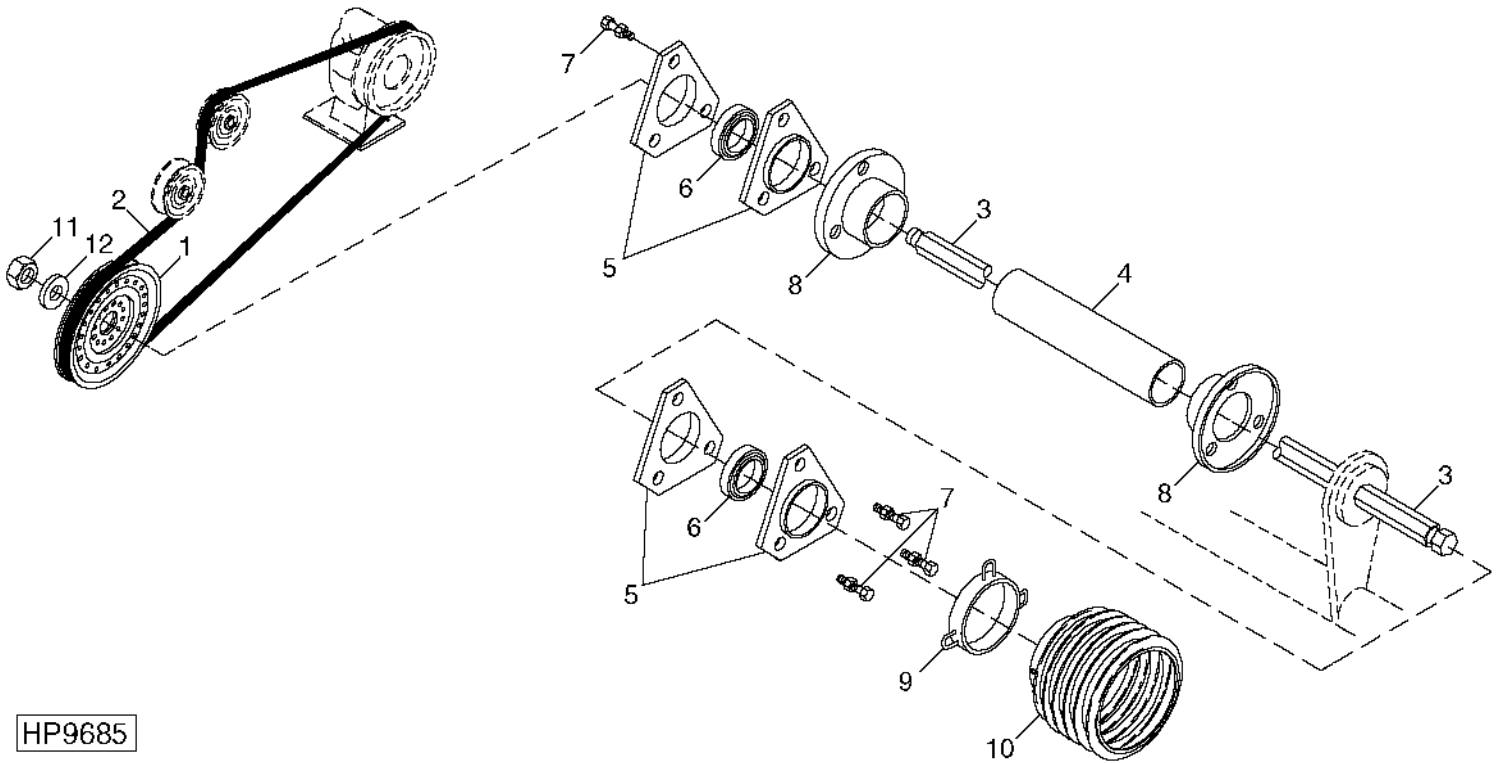
HP6800

KEY	PART NO.	PART NAME	QTY	SERIAL NO.	REMARKS
1	A31870	LOCK NUT	1	M20	
2	24M7242	WASHER	1	21.400 X 42 X 5 MM	
3	AH135569	SHEAVE	1		
4	H33473	BELT	1	(STANDARD) (529 RPM)	
5	AH126377	SHIELD	1	(L.H.) (CUT TO LENGTH)	
6	P50419	SNAP RING	1		
7	H103265	PRESSED FLANGED HOUSING	2		
8	AN102010	BEARING	1		
9	12M7070	LOCK WASHER	1	20.200 MM	
10	AH141464	SHAFT	1	-656330	(SUB AH145820)
	AH145820	SHAFT	1		
11	H94980	BRACKET	1		
12	03M7190	BOLT	5	M10 X 20	
	14M7296	FLANGE NUT	5	M10	
13	AH91784	CHAIN SPROCKET	1	14 TEETH	
14	A31870	LOCK NUT	1	M20	
15	E62951	UNIVERSAL JOINT BEARING	1		
16	H93439	SHIELD	1		
17	H160739	BRACKET	1	(SUB FOR H151796)	

B19

KNIFE, CUTTERBAR, AND DRIVES

CUTTERBAR DRIVE
920 (685101-)
 HP9685 -UN-11APR00



HP9685

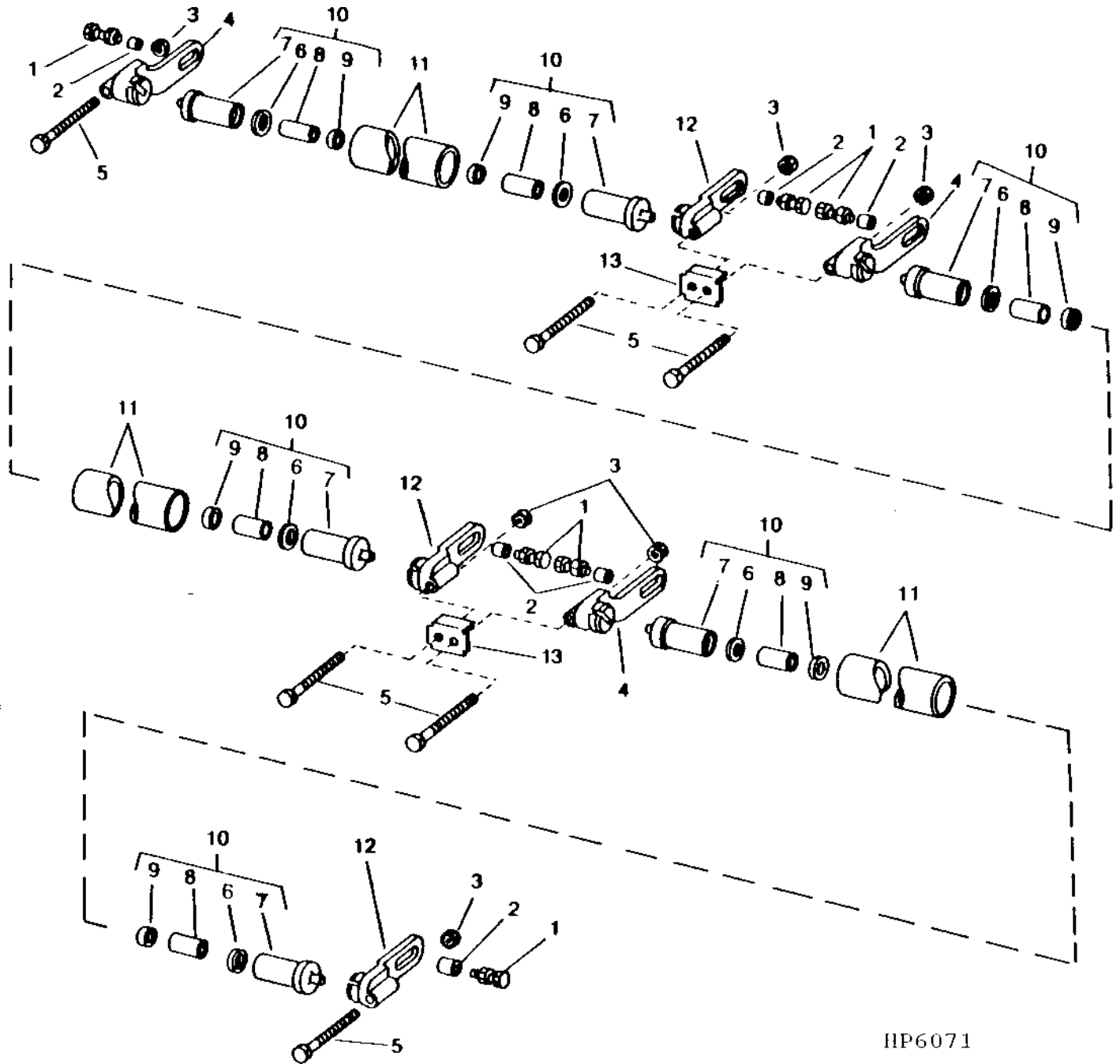
KEY	PART NO.	PART NAME	QTY	SERIAL NO.	REMARKS
1	AH124526	SHEAVE	1	10-1/2" DIA.	
	AH157136	SHEAVE	1	11" DIA.	
	AH135569	SHEAVE	1	11-1/2" DIA.	
	AH124525	SHEAVE	1	12" DIA.	
2	AH124524	SHEAVE	1	13-1/2" DIA.	
	H138761	BELT	1	USE WITH 13-1/2" SHEAVE (RIGID); 10-1/2", 11", 11-1/2" AND 12" SHEAVE (FLEX)	
	H136963	BELT	1	USE WITH 10-1/2" SHEAVE (RIGID)	
	H136881	BELT	1	USE WITH 11-1/2" AND 12" SHEAVE (RIGID)	
	H138762	BELT	1	USE WITH 13-1/2" SHEAVE (FLEX); 10-1/2" AND 11" SHEAVE (FLEX ARG)	
3	AH145839	SHAFT	1	920	
4	H161892	TUBE	1	(67.5" LONG)CUT TO REQUIRED LENGTH	
5	H161529	PRESSED FLANGED HOUSING	4		
	AN102010	BEARING	2		
7	03M7194	BOLT	AR	M10 X 40	
	14M7296	FLANGE NUT	AR	M10	
	14M7274	NUT	AR	M10	
8	H162189	RETAINER	2		
9	H168246	RING	1		
10	H168297	SHIELD	1		
11	A31870	LOCK NUT	1		
12	24M7242	WASHER	1	21.400 X 42 X 5 MM	

B20

KNIFE, CUTTERBAR, AND DRIVES

DRAPER IDLER ROLLS AND SUPPORTS

918 (-635900)
HP6071 -UN-03MAY95



HP6071

B21

KNIFE, CUTTERBAR, AND DRIVES

DRAPER IDLER ROLLS AND SUPPORTS - CONTINUED

918 (-635900)

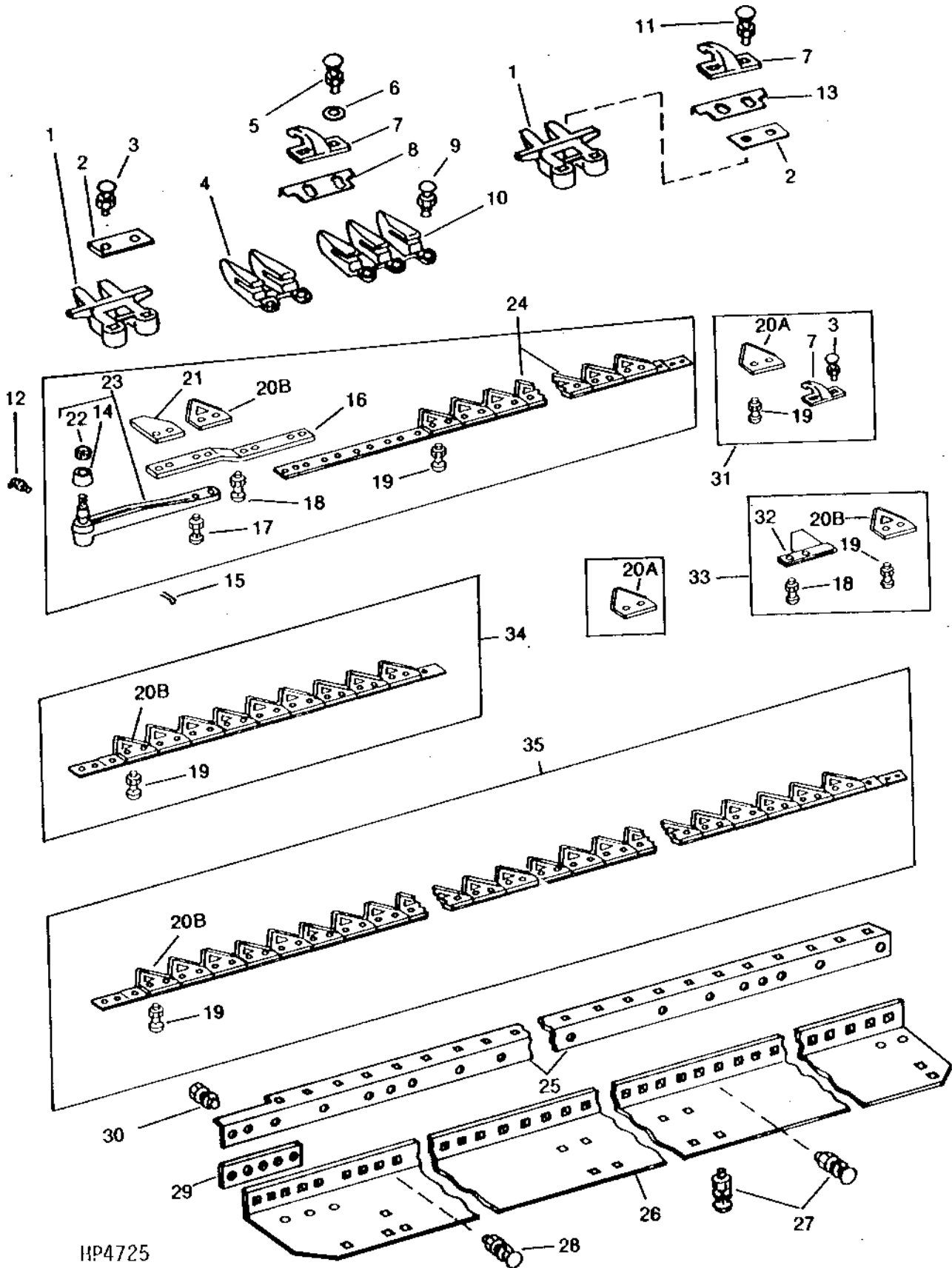
KEY	PART NO.	PART NAME	QTY	SERIAL NO.	REMARKS
1	19H1800	CAP SCREW	6		3/8" X 1-1/2"
	12H304	LOCK WASHER	6		3/8"
	14H812	NUT	6		3/8"
2	H23478	BUSHING	6		10.312 X 17.475 X 11.506 MM (13/32" X 11/16" X 29/64")
3	H95174	LOCK NUT	6		9.525 MM (3/8")
4	H11450	ARM	3		R.H., ADJUSTING
5	19H2978	CAP SCREW	6		3/8" X 5"
6	H80127	DISK	6		
7	HOUSING	6		(SUB AH92196)
8	JD8890	NEEDLE BEARING	6		
9	AE35217	SEAL	6		
10	AH92196	HOUSING	6		
11	AH97013	ROLLER	3		
12	H11451	ARM	3		L.H., ADJUSTING
13	H31507	STRAP	2		TIGHTENER

B22

KNIFE, CUTTERBAR, AND DRIVES

GUARDS AND BOLTED KNIVES

918 (-635900)
HP4725 -UN-01JAN94



HP4725

GUARDS AND BOLTED KNIVES - CONTINUED
918 (-635900)

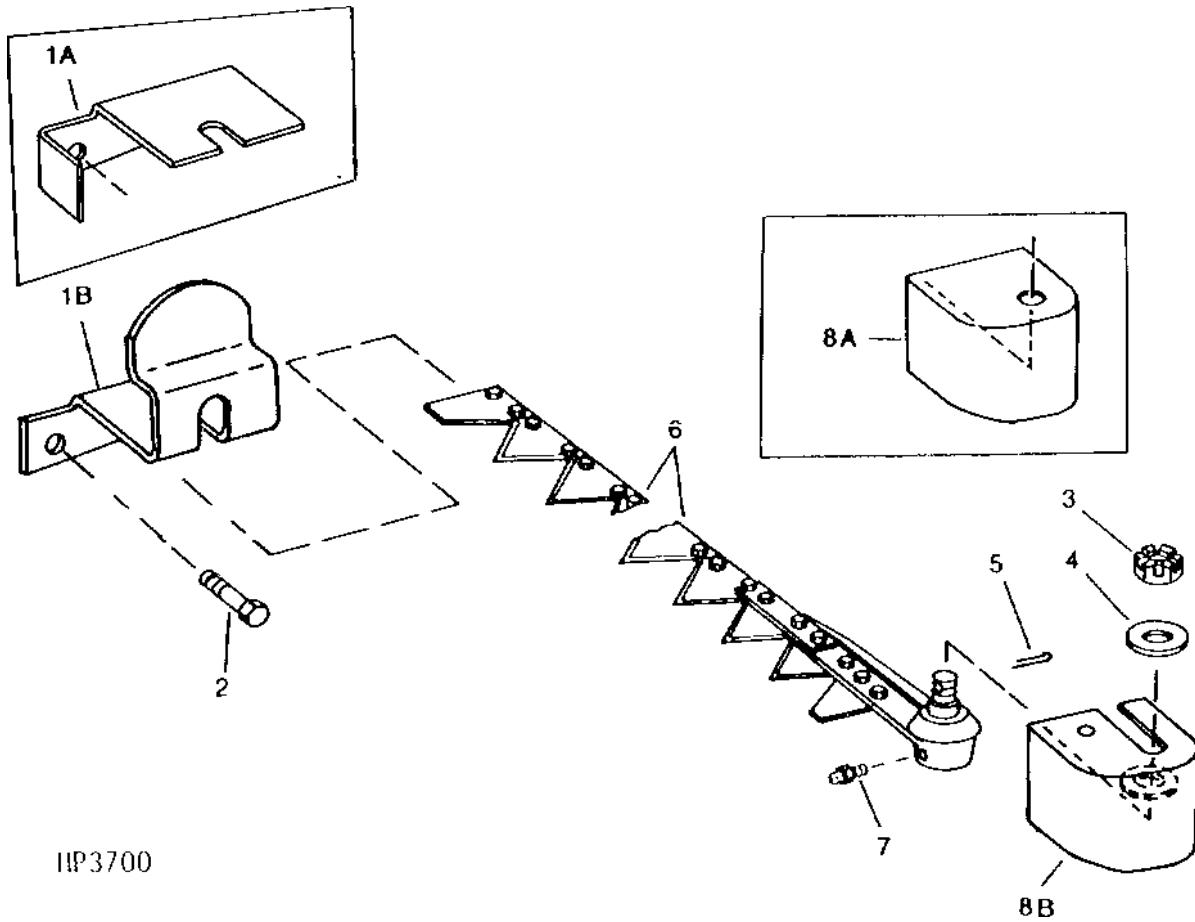
KEY	PART NO.	PART NAME	QTY	SERIAL NO.	REMARKS
1	E59625	KNIFE GUARD	4		NON-CLOG
2	H98768	STRAP	4		
3	03H1495	BOLT	6		3/8" X 1-1/2" (L.H. END - 4 USED; R.H. END - 2 USED, 1ST AND 4TH HOLES)
	E55662	FLANGE NUT	6		3/8"
	03H1495	BOLT	12		3/8" X 1-1/2"
4	H75386	KNIFE GUARD	30	-635825	(SUB H145791)
	H145791	KNIFE GUARD	30		
	H113571	KNIFE GUARD	30		TWO TINE (ROCKY CONDITIONS)
5	19H1800	CAP SCREW	2		3/8" X 1-1/2"
	03H1500	BOLT	31		3/8" X 1"
	E55662	FLANGE NUT	1		9.525 MM (3/8")
6	24H1305	WASHER	1		13/32" X 13/16" X 0.065"
7	H127801	CLIP	15		
	H129024	CLIP	1		(L.H.)
8	H101200	CUTTERBAR WEAR PLATE	15	-635810	(SUB H141546) (CUTTING PLATFORM)
	H141546	CUTTERBAR WEAR PLATE	15		
	E47954	CUTTERBAR WEAR PLATE	1	-635890	(SUB H146837) (L.H.) NO LONGER SERVICE
9	03H1557	BOLT	30		3/8" X 1-1/4"
	E55662	FLANGE NUT	30		9.525 MM (3/8")
10	H25603	KNIFE GUARD	1		THREE TINE (R.H.)
11	03H2020	BOLT	2		3/8" X 2" (R.H. END; 2ND AND 3RD HOLES)
	E55662	FLANGE NUT	2		3/8"
12	JD7781	LUBRICATION FITTING	1		
13	E47954	CUTTERBAR WEAR PLATE	2		R.H.
14	H87043	COVER	1		
15	11H237	COTTER PIN	1		1/8" X 2"
16	H128235	REINFORCEMENT	1		
17	H125889	SCREW	7		24 MM LENGTH (RIB NECK)
	H125892	NUT	7		5.486 MM (0.216")
18	H125890	SCREW	10		18 MM LENGTH (RIB NECK)
	AE57008	KIT	1		(SUB FOR H125892) (CONTAINS (100) NUTS)
19	AE57009	KIT	1		(SUB FOR H125891) (CONTAINS (75) SCREWS AND (75) NUTS)
	AE57008	KIT	1		(SUB FOR H125892) (CONTAINS (100) NUTS)
20A	H125893	SECTION	70	-635825	(SUB H136807)
	H160250	SECTION	AR		COARSE, SOLID (PKG. OF 25)
20B	H136807	SECTION	70		
	H160251	SECTION	AR		COARSE, DURA LITE(PKG. OF 25)
	H168316	SECTION	AR		COARSE TOOTH 3" KNIFE SECTION (PKG. OF 25) (SERVICE ONLY)
21	H125894	SECTION	2		HALF
22	14H918	NUT	1		5/8"
23	AH121075	KNIFEHEAD	1		
24	AH121079	KNIFE	1	-635825	(SUB AH132651, AH132652, AH138213 AND AH138236) (CHROMED SECTIONS)
	AH132651	KNIFE	1	-640600	(ASSEMBLY) (CHROMED SECTIONS) (SUB AH140379, AH140380, AH140381 AND AH138236)
	AH140379	KNIFE	1		(ASSEMBLY)
25	H98530	ANGLE	1		
26	H109799	SUPPORT	1		CUTTER BAR
27	03H1500	BOLT	AR		3/8" X 1"
	12H304	LOCK WASHER	AR		3/8"
	14H812	NUT	AR		3/8"
28	03H1480	BOLT	31		3/8" X 1-1/4"
	E55662	FLANGE NUT	31		9.525 MM (3/8")
29	H94796	SHIM	2		
30	19H1800	CAP SCREW	5		3/8" X 1-1/2"
	12H304	LOCK WASHER	5		3/8"
31	AH132904	SECTION	1	-635825	REPAIR KIT, BOLT-ON SECTIONS 6 FT.
32	H136958	SECTION	AR		
33	AH138236	KIT	AR		(CONSISTS OF (2) H125890, (12) H125891, (14) H125892, (6) H136807 AND H136958)
34	AH140381	KNIFE	AR		(KIT) (33.5 INCH) (SUB FOR AH138213) (INCLUDES (18) H125891, (18) H125892 AND (9) H136807)
35	AH140380	KNIFE	AR		(KIT) (107.5 INCH) (SUB FOR AH140380) (INCLUDES (66) H125891, (66) H125892 AND (33) H136807)

B24

KNIFE, CUTTERBAR, AND DRIVES

SPARE KNIFE, STORAGE BRACKET AND SHIELD

918 (-635900)
HP3700 -UN-01JAN94



B25

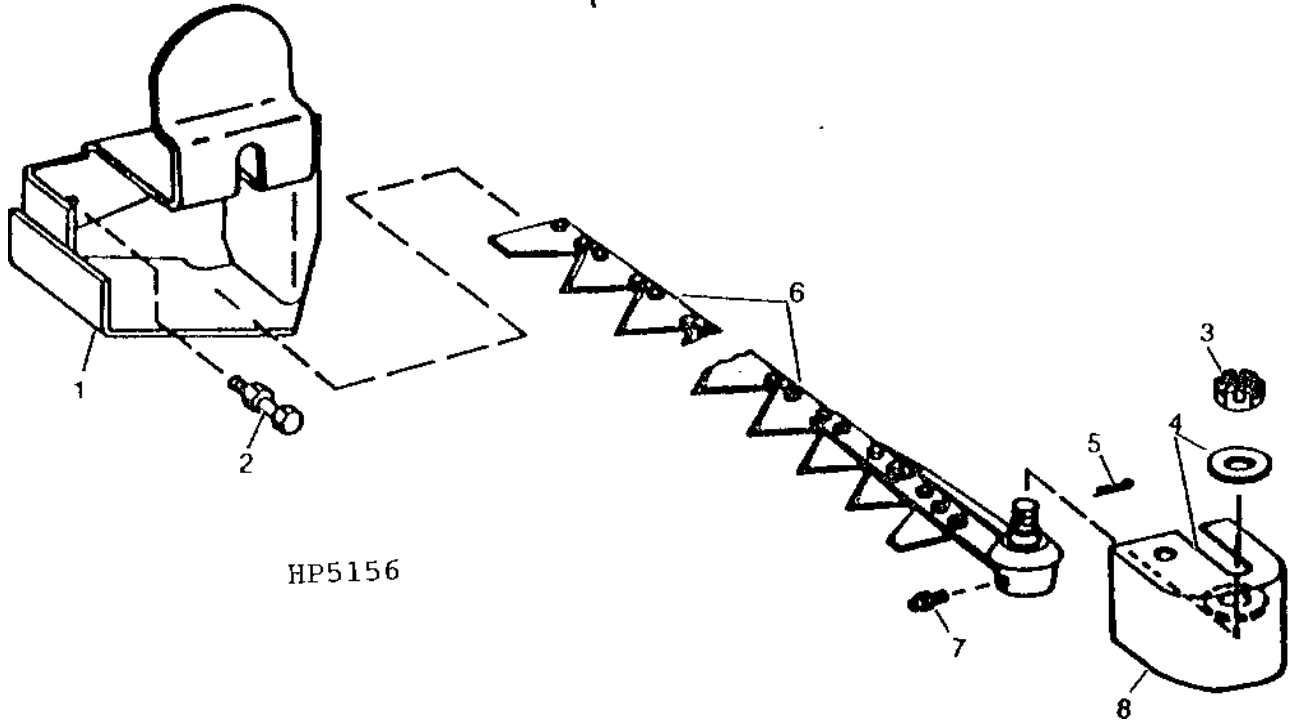
KNIFE, CUTTERBAR, AND DRIVES

SPARE KNIFE, STORAGE BRACKET AND SHIELD - CONTINUED
918 (-635900)

KEY	PART NO.	PART NAME	QTY	SERIAL NO.	REMARKS
1A	H123500	BRACKET	1	-635100	KNIFE STORAGE
1B	H136256	BRACKET	1	635101-	KNIFE STORAGE
2	H88188	SCREW	2		9.525 X 25.400 MM (3/8" X 1")
3	14H918	NUT	1		15.875 MM (5/8")
4	24H1368	WASHER	1	-635100	21/32" X 1-5/16" X 0.090"
	24H1368	WASHER	2	635101-	21/32" X 1-5/16" X 0.090"
5	11H237	COTTER PIN	1		1/8" X 2"
6	AH121079	KNIFE	1	-635825	(SUB AH140379, AH140380, AH140381 AND AH138236)
	AH132651	KNIFE	1	-640600	(SUB AH140379, AH140380, AH140381 AND AH138236)
	AH140379	KNIFE	1		
7	JD7781	LUBRICATION FITTING	1		
8A	AH125678	SHIELD	1	-635100	(SUB AH134137)
8B	AH134137	SHIELD	1		

KNIFE STORAGE BRACKET AND SHIELD

920 (646301-)
 HP5156 -UN-01JAN94



HP5156

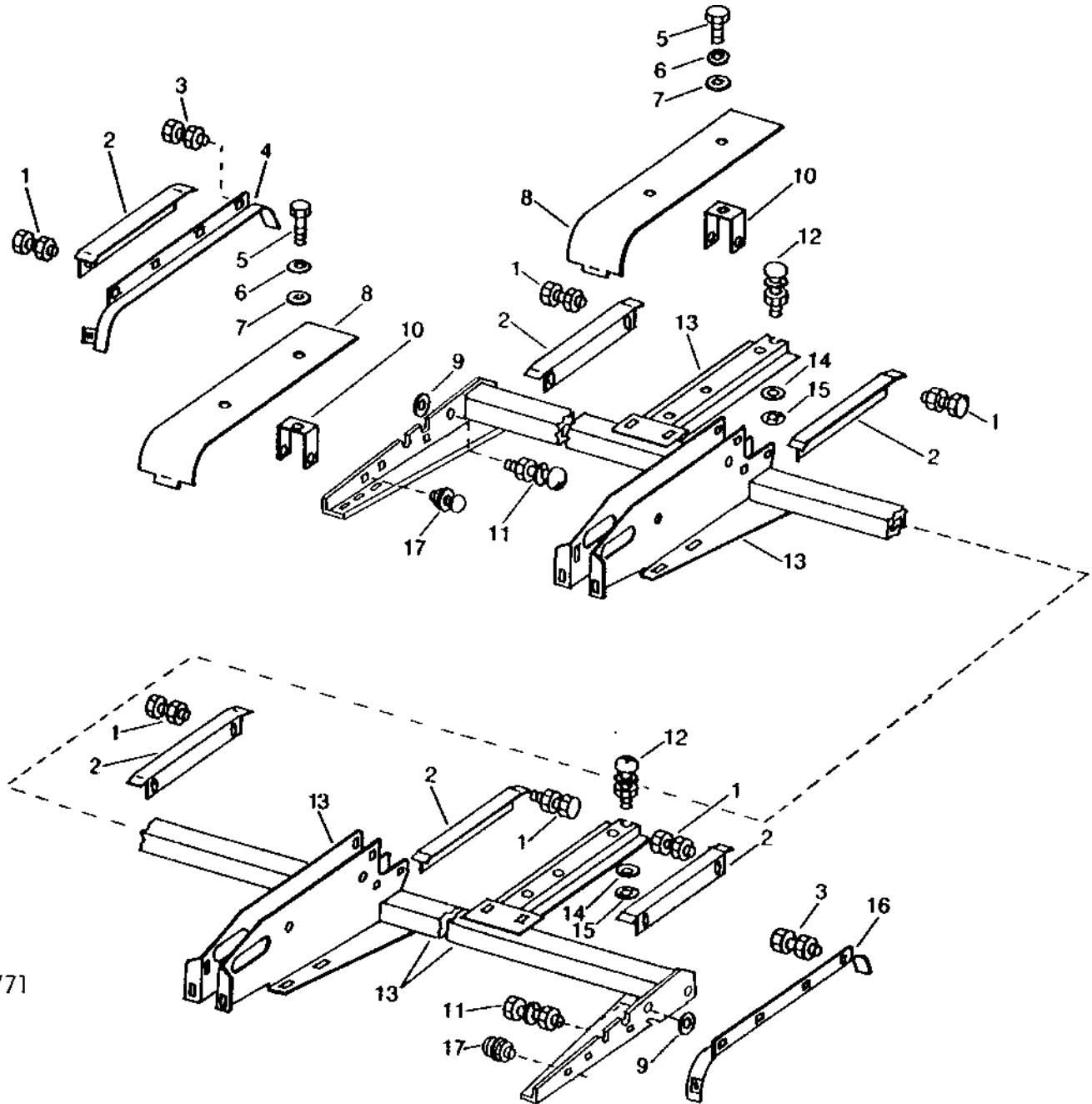
KEY	PART NO.	PART NAME	QTY	SERIAL NO.	REMARKS
1	AH131752	SUPPORT	1		(RIGID) (KNIFE STORAGE)
2	37M7087	SCREW	2		M10 X 25 (RIGID)
3	14H918	NUT	1		5/8"
4	24H1368	WASHER	2		21/32" X 1-5/16" X 0.090"
5	11H237	COTTER PIN	1		1/8" X 2"
6	AH140379	KNIFE	1		
	AH140380	KNIFE	2		
	AH140381	KNIFE	1		
7	JD7781	LUBRICATION FITTING	1		90° X 21.336 MM LONG (0.840" LONG)
8	AH134137	SHIELD	1		(FLEX AND RIGID)

MEMORANDA

C2

DRAPER SHIELDS AND SUPPORTS

918 (-635900)
HP771 -UN-01JAN94



HP771

DRAPER SHIELDS AND SUPPORTS - CONTINUED
918 (-635900)

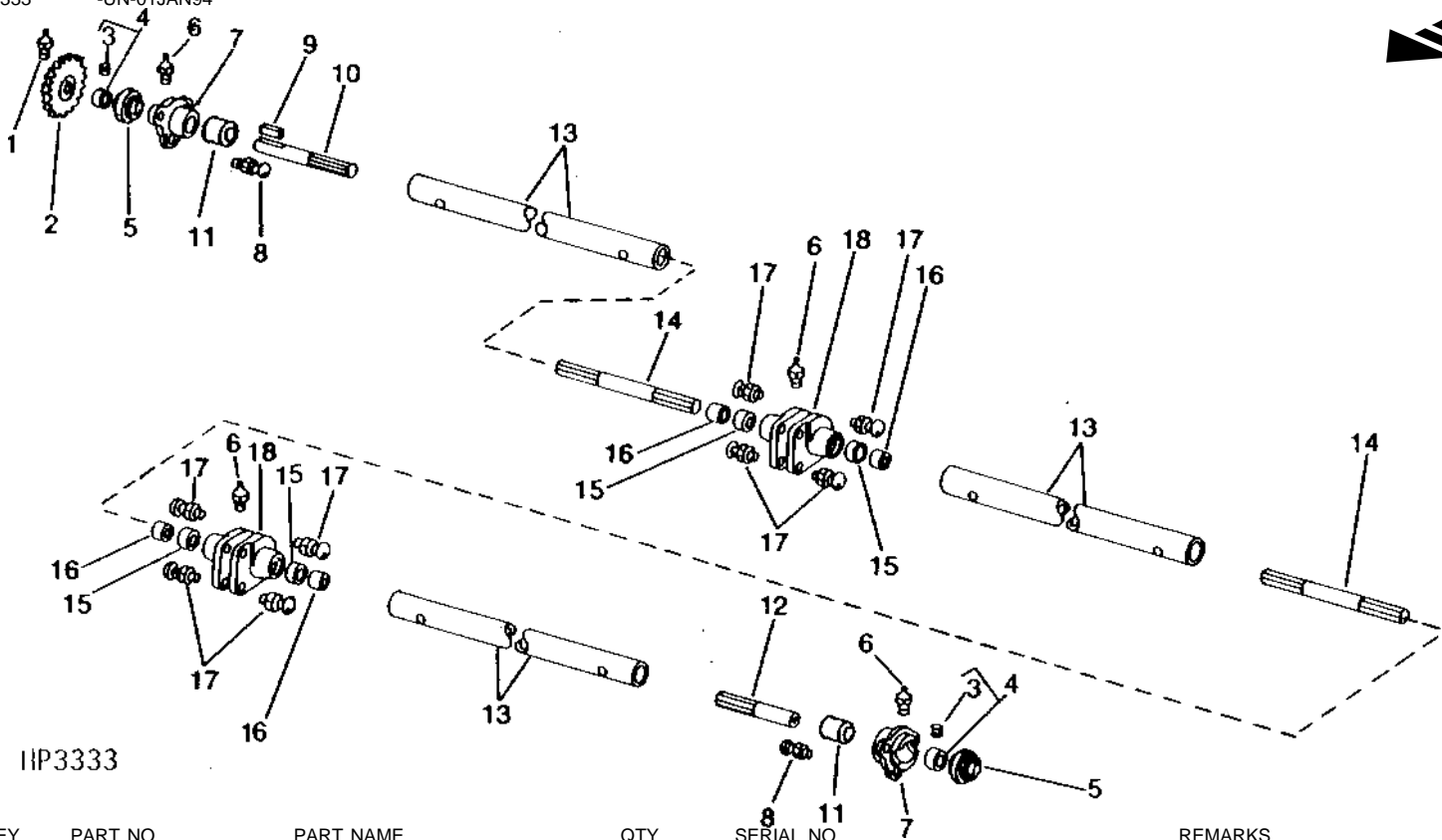
KEY	PART NO.	PART NAME	QTY	SERIAL NO.	REMARKS
1	19H2284	CAP SCREW	6		3/8" X 7/8"
	12H304	LOCK WASHER	6		3/8"
	14H812	NUT	6		3/8"
2	H35893	SUPPORT	6		
3	03H1540	BOLT	10		5/16" X 3/4"
	12M7065	LOCK WASHER	10		8.100 MM (0.319")
	14H785	NUT	10		5/16"
4	H96278	SHIELD	1		(R.H.)
5	19H1900	CAP SCREW	4		5/16" X 3/4"
6	24H1136	WASHER	4		11/32" X 11/16" X 0.065"
7	P48289	NUT	4		SPEED
8	H78708	SHIELD	2		
9	24H1305	WASHER	4		13/32" X 13/16" X 0.065"
10	H78718	CLEVIS	4		
11	03H1500	BOLT	4		3/8" X 1"
	12H304	LOCK WASHER	4		3/8"
	14H812	NUT	4		3/8"
12	03H1522	BOLT	15		1/2" X 1-1/4"
	12H301	LOCK WASHER	15		1/2"
	14H1040	NUT	15		1/2"
13	AH108406	SUPPORT	1		
14	H113355	NUT	5		12.700 MM (1/2")
15	24H1111	WASHER	15		17/32" X 1-1/16" X 0.090"
16	H96279	SHIELD	1		(L.H.)
17	03H1659	BOLT	AR		1/2" X 1"
	E54809	LOCK NUT	AR		1/2"

C4

KNIFE, CUTTERBAR, AND DRIVES

DRAPER DRIVE ROLLS

918 (-635900)
HP3333 -UN-01JAN94

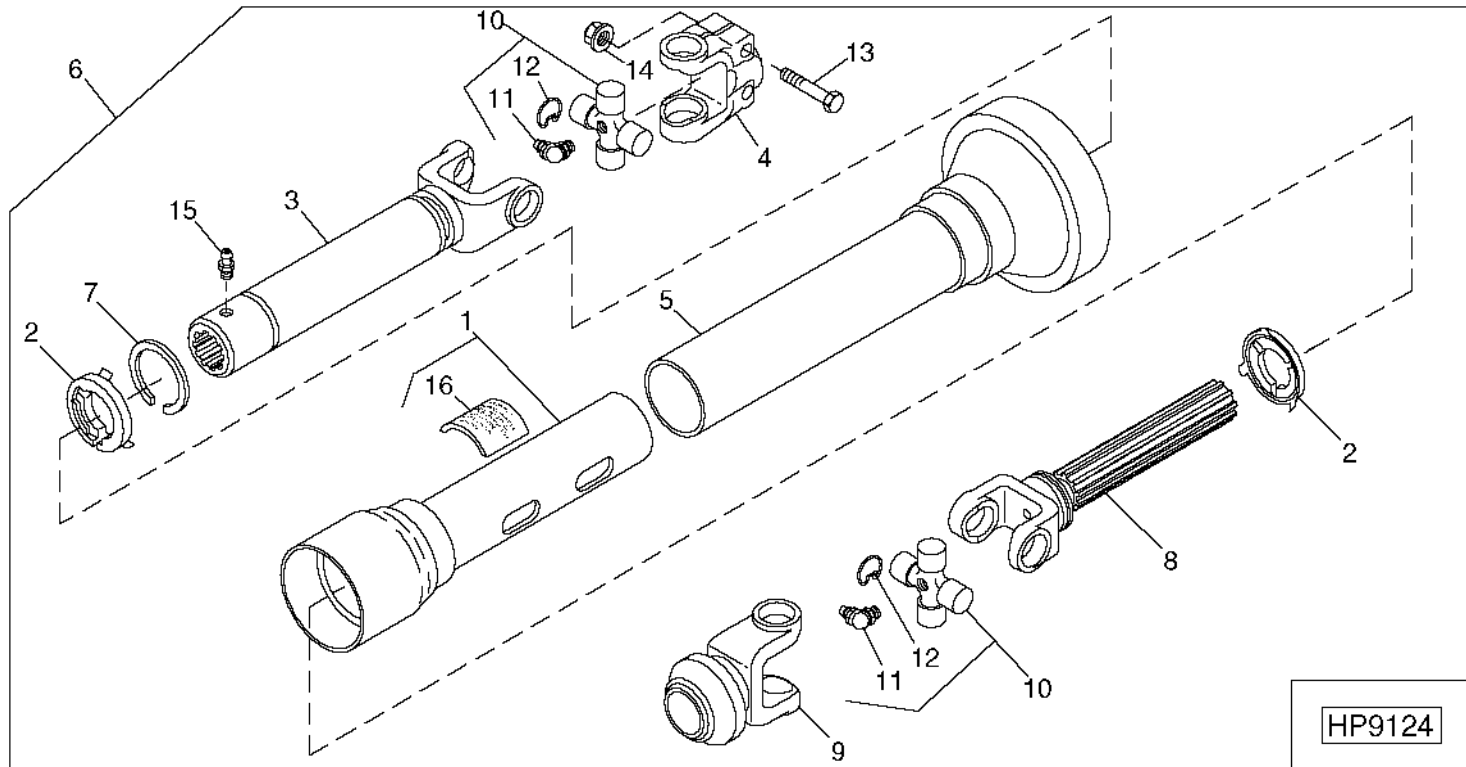


IIP3333

KEY	PART NO.	PART NAME	QTY	SERIAL NO.	REMARKS
1	22H853	SET SCREW	2		3/8" X 7/8"
	14H732	NUT	2		3/8"
2	H78707	CHAIN SPROCKET	1		26 TEETH
3	22H897	SET SCREW	2		1/4" X 1/4"
4	JD8554	ECCENTRIC LOCKING COLLAR	2		
5	JD9302	BALL BEARING	2		
6	JD7797	LUBRICATION FITTING	4		
7	H11449	PLANET PINION CARRIER	2		OUTER
8	03H1709	BOLT	6		5/16" X 1"
	12M7065	LOCK WASHER	6		8.100 MM (0.319")
	14H785	NUT	6		5/16"
9	KEY	1		(CUT FROM H64374 IN AH64587 KEY STOCK KIT)
10	H113323	SHAFT	1		(R.H.)
11	E53111	SPACER	2		
12	H113324	SHAFT	1		(L.H.)
13	AH111041	ROLLER	3		DRIVE
14	H113322	SHAFT	2		INNER
15	P41721	SEAL	4		
16	JD8865	ROLLER BEARING	4		
17	10H1166	BOLT	8		5/16" X 1"
	12M7065	LOCK WASHER	12		8.100 MM (0.319")
	14H785	NUT	12		5/16"
18	H78712	HOUSING	2		

C7

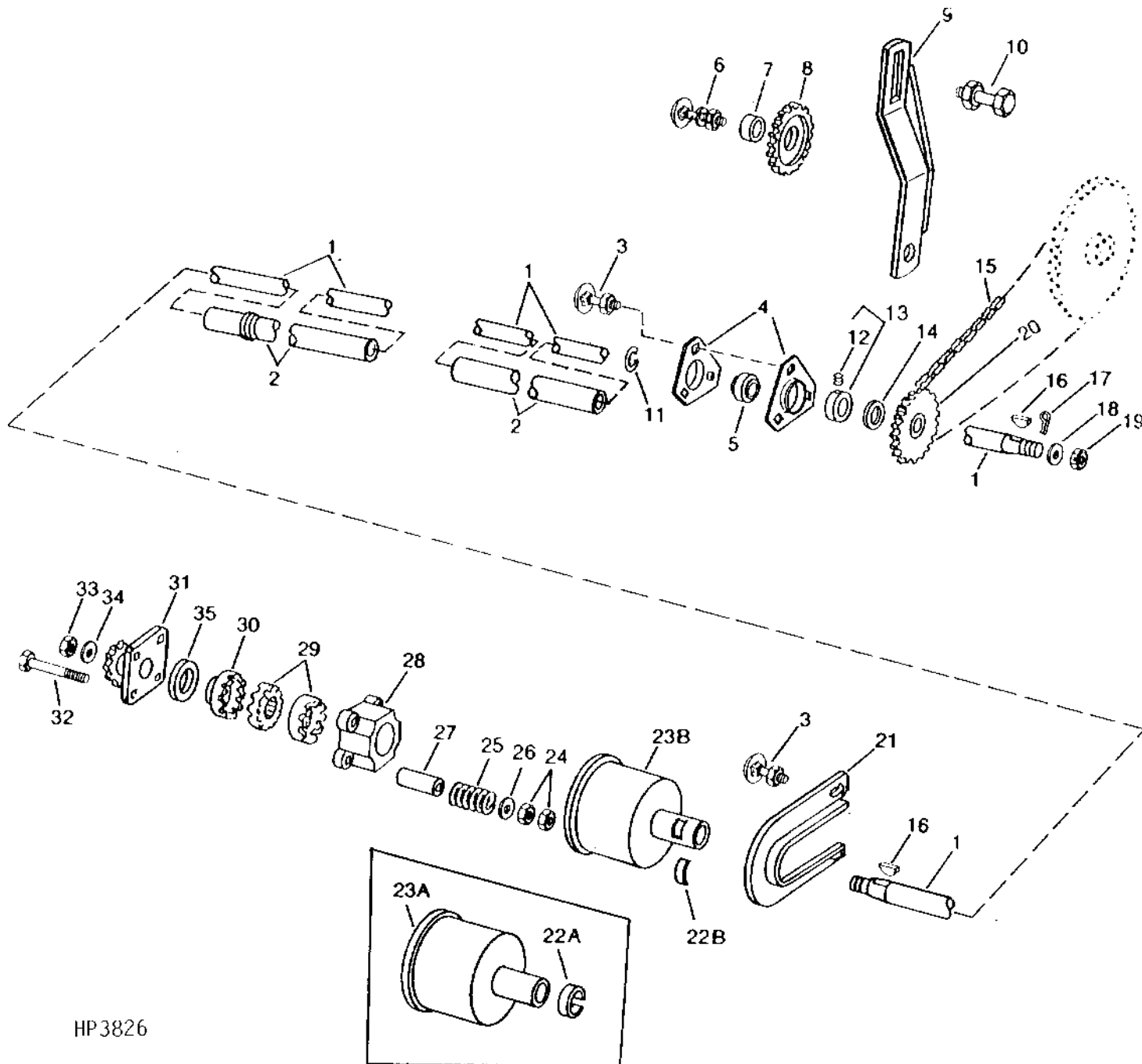
MAIN DRIVE SHAFT
HP9124 -UN-19NOV99



KEY	PART NO.	PART NAME	QTY	SERIAL NO.	REMARKS
1	AH164910	POWERSHAFT SHIELD	1		
2	H161296	SHIELD	2		
3	AH164911	YOKE, WITH TUBE	1	5-SPLINE	
4	H161295	YOKE WITH LOCKING COLLAR	1		
5	AH164912	POWERSHAFT SHIELD	1		
6	AH155077	UNIVERSAL DRIVESHAFT	1		
7	H161294	SPACER	1		
8	AH164909	YOKE, WITH SHAFT	1	5-SPLINE	
9	AH144523	UNIVERSAL JOINT YOKE	1		
10	AE23516	CROSS AND BEARING ASSEMBLY	2		
11	JD7760	LUBRICATION FITTING	2		
12	BP12946	SNAP RING	8		
13	19M7817	SCREW	2	M12 X 70	
14	14M7401	LOCK NUT	2	M12	
15	H172925	LUBRICATION FITTING	2		
16	H171710	LABEL	1	DRIVE SHAFT WARNING	

C8

CROSS AUGER DRIVE
918 (-635100)
HP3826 -UN-01JAN94



HP3826

CROSS AUGER DRIVE - CONTINUED

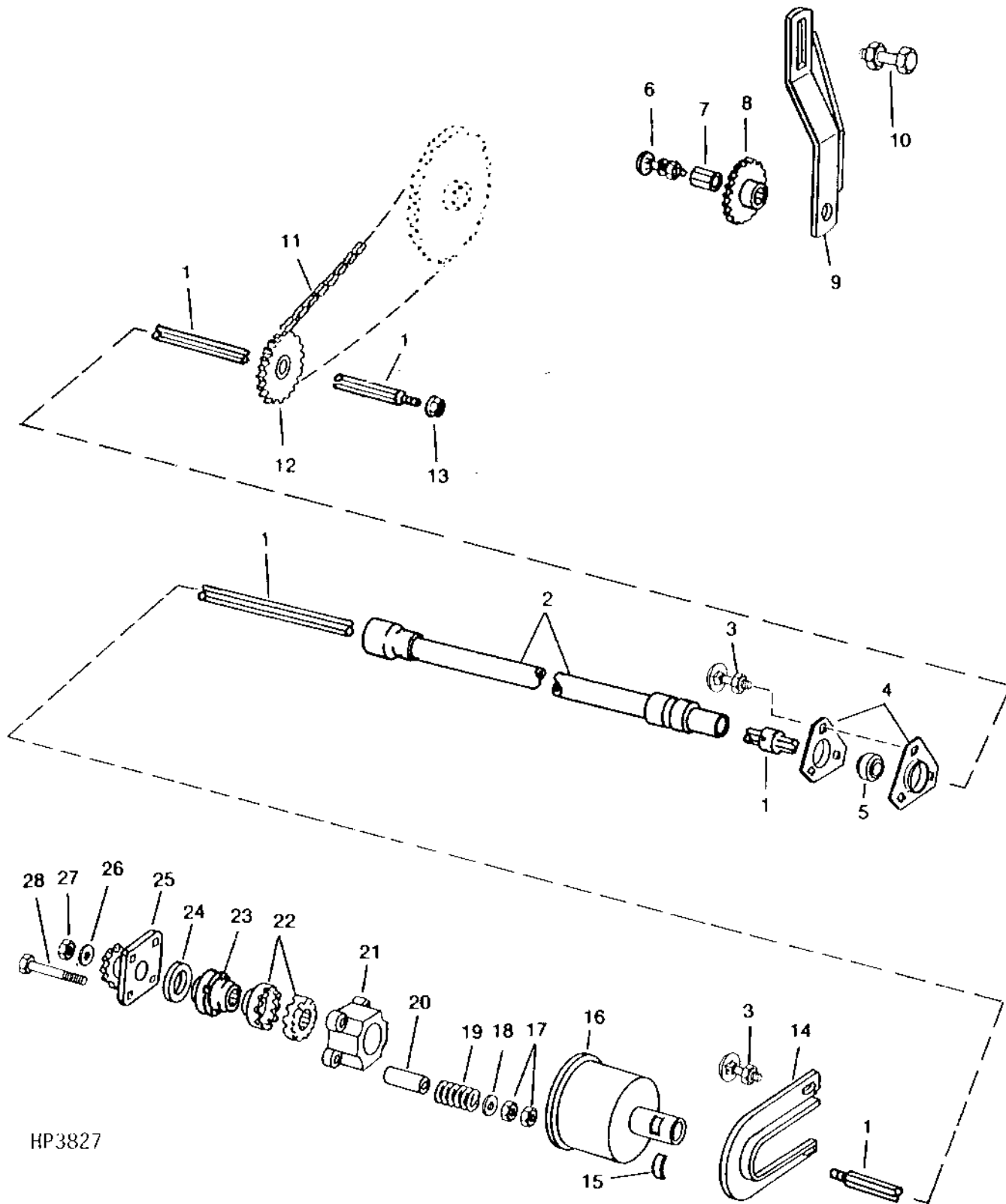
918 (-635100)

KEY	PART NO.	PART NAME	QTY	SERIAL NO.	REMARKS
1	H87351	SHAFT	1		(R.H.)
2	AH88551	SHIELD	1	-635800	(R.H.) (SUB AH132618, H135222 AND E62951)
	AH132618	POWERSHAFT SHIELD	1		
3	03H1765	BOLT	5		3/8" X 3/4"
	E55662	FLANGE NUT	5		9.525 MM (3/8")
4	H103265	PRESSED FLANGED HOUSING	2		
5	AH10515	BALL BEARING	1		
6	03H2203	BOLT	1		1/2" X 2-1/4"
	12H301	LOCK WASHER	1		1/2"
	14H1040	NUT	1		1/2"
7	H98792	WASHER	1		13.487 X 28.575 X 8.636 MM (17/32" X 1-1/8" X 0.340")
8	AH20443	CHAIN SPROCKET	1		15 TEETH, TIGHTENER, (SUB AH89429 AND H137514)
9	AH97342	STRAP	1		
10	03H1500	BOLT	2		3/8" X 1"
	12H304	LOCK WASHER	2		3/8"
	14H812	NUT	2		3/8"
11	E30743	SNAP RING	1		
12	22H897	SET SCREW	1		1/4" X 1/4"
13	JD8594	ECCENTRIC LOCKING COLLAR	1		
14	24H1266	WASHER	1		1-9/32" X 1-3/4" X 0.060"
15	LINK CHAIN	1		ROLLER, TYPE 60, 3/4" PITCH, 87 LINKS
16	26H82	SHAFT KEY	2		1/4" X 7/8"
17	11H237	COTTER PIN	1		1/8" DIA. X 2"
18	24H1399	WASHER	1		25/32" X 1-5/8" X 0.180"
19	14H902	NUT	1		3/4"
20	AH87945	CHAIN SPROCKET	1		13 TEETH, DRIVE
21	H87226	BRACKET	1		
22A	H87059	SNAP RING	1	-630800	(SUB E62951, H135222 AND AH132618)
22B	E62951	UNIVERSAL JOINT BEARING	1		
23A	AH88540	SHIELD	1	-630800	SLIP CLUTCH, (SUB H135222, AH132618, E62951)
23B	H135222	SHIELD	1		
24	E50102	LOCK NUT	8		9.525 MM (3/8")
25	H77433	SPRING	4		
26	24H1653	WASHER	4		13/32" X 1-1/4" X 0.120"
27	H87206	SPACER	4		10.338 X 15.875 X 76.200 MM (0.407" X 5/8" X 3")
28	H89525	RETAINER	1		
29	Z699H	SLIP CLUTCH	2		
30	H93738	SLIP CLUTCH	1		
31	AH87953	DRIVER	1	-635900	(SUB H143581)
	H143581	DRIVER	1		
32	03H2040	BOLT	4		3/8" X 4-1/4"
33	14H902	NUT	1		3/4"
34	C2214E	WASHER	1		19.800 X 38.100 X 5 MM (0.780" X 1-1/2" X 0.197")
35	H89524	WASHER	1		45.237 X 88.900 X 2.005 MM (1-25/32" X 3-1/2" X 0.079") THRUST

C10

AUGER AND DRIVE

CROSS AUGER DRIVE
918 (635101-635900)
HP3827 -UN-01JAN94



HP3827

C11

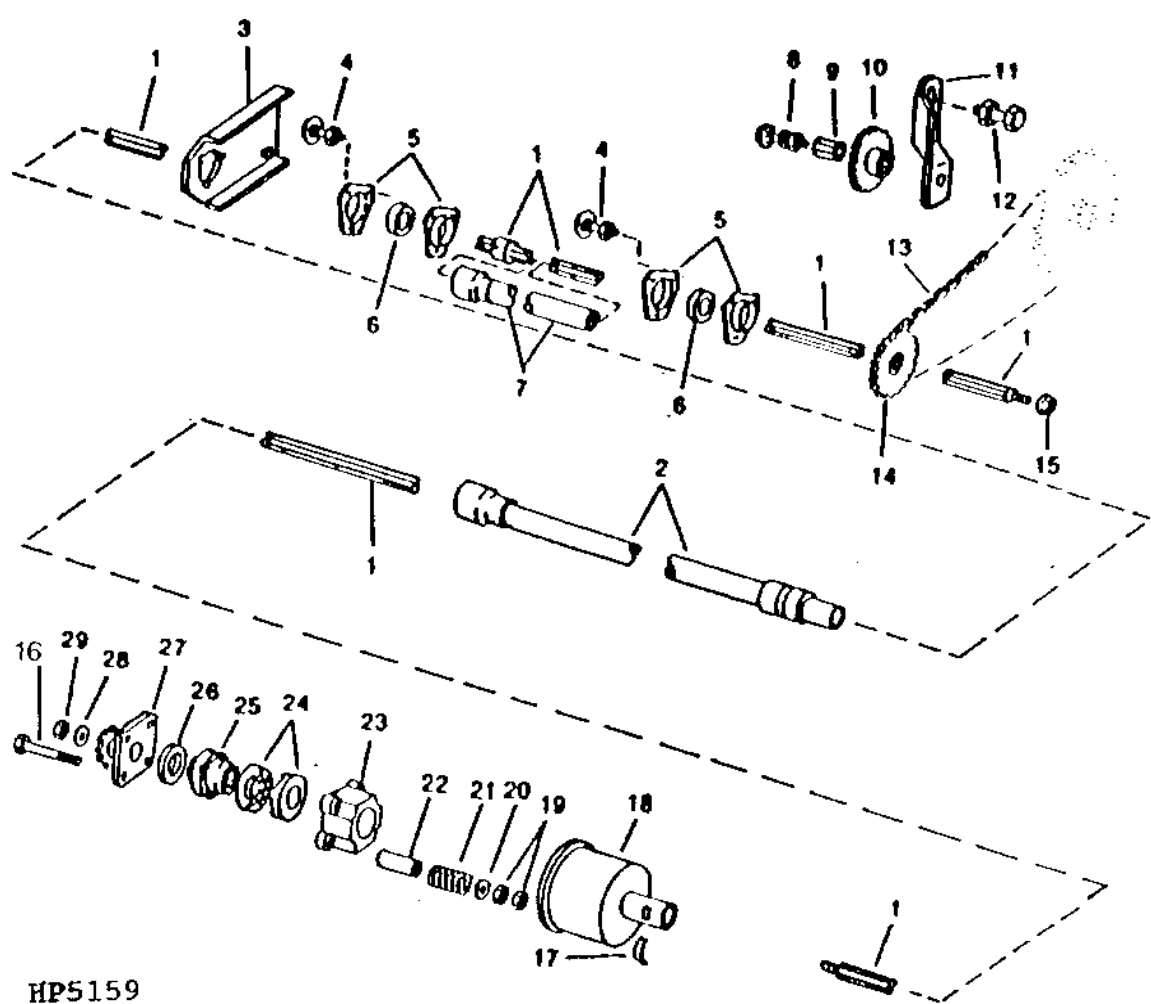
AUGER AND DRIVE

CROSS AUGER DRIVE - CONTINUED
918 (635101-635900)

KEY	PART NO.	PART NAME	QTY	SERIAL NO.	REMARKS
1	AH131525	SHAFT	1		(SUB AH141463) (R.H.) 1553 MM
2	AH131482	SHIELD	1		(R.H.)
3	03H1765	BOLT	5		3/8" X 3/4"
	E55662	FLANGE NUT	5		9.525 MM (3/8")
4	H103265	PRESSED FLANGED HOUSING	2		
5	AN102010	BEARING	1		
6	03H2203	BOLT	1		1/2" X 2-1/4"
	24H1111	WASHER	1		17/32" X 1-1/16" X 0.090"
	A11455	NUT	1		1/2", (SUB 14H1069)
	14H1069	NUT	1		1/2"
7	H137514	SPACER	1		(USE WITH AH89429)
8	AH89429	CHAIN SPROCKET	1		15 TEETH, TIGHTENER, (USE WITH H137514)
9	AH97342	STRAP	1		
10	03H1500	BOLT	2		3/8" X 1"
	E55662	FLANGE NUT	2		3/8"
11	LINK CHAIN	1		ROLLER, TYPE 60, 3/4" PITCH, 87 LINKS
12	AH130579	CHAIN SPROCKET	1	-635800	13 TEETH, DRIVE, (SUB AH138180)
	AH138180	CHAIN SPROCKET	1		13 TEETH, DRIVE
13	W29648	LOCK NUT	1		3/4", 3/4"
14	H87226	BRACKET	1		
15	E62951	UNIVERSAL JOINT BEARING	1		(USE WITH H135222)
16	H135222	SHIELD	1		SLIP CLUTCH, (USE WITH E62951)
17	H86656	LOCK NUT	8		9.525 MM (3/8")
18	24H1653	WASHER	4		13/32" X 1-1/4" X 0.120"
19	H77433	SPRING	4		
20	H87206	SPACER	4		10.338 X 15.875 X 76.200 MM (0.407" X 5/8" X 3")
21	H89525	RETAINER	1		
22	H136032	SLIP CLUTCH	2		
23	H135241	FORGING	1		
24	H89524	WASHER	1		45.237 X 88.900 X 2.005 MM (1-25/32" X 3-1/2" X 0.079") THRUST
25	AH87953	DRIVER	1	-635900	(SUB H143581)
	H143581	DRIVER	1		(SUB H147702)
26	12H236	LOCK WASHER	1		3/4"
27	E43336	LOCK NUT	1		3/4", 3/4"
28	03H2040	BOLT	4		3/8" X 4-1/4"

C12

AUGER DRIVE
920 (646301-656300)
HP5159 -UN-01JAN94



HP5159

C13

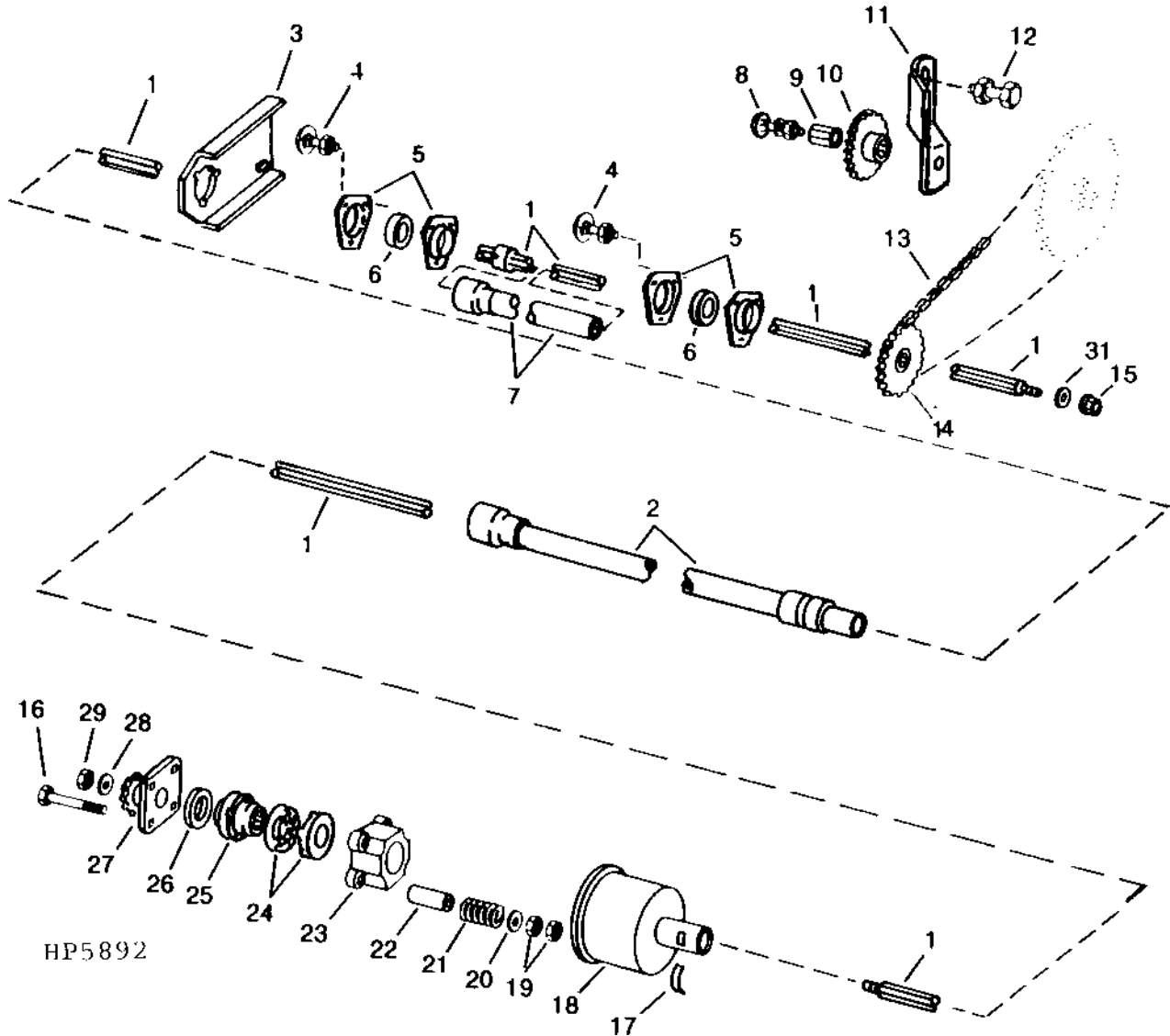
AUGER AND DRIVE

AUGER DRIVE - CONTINUED
920 (646301-656300)

KEY	PART NO.	PART NAME	QTY	SERIAL NO.	REMARKS
1	AH131526	SHAFT	1		1858 MM
2	AH126380	POWERSHAFT SHIELD	1		R.H.
3	H94980	BRACKET	1		
4	03H1765	BOLT	6		3/8" X 3/4"
	E55662	FLANGE NUT	6		9.525 MM (3/8")
5	H103265	PRESSED FLANGED HOUSING	4		
6	AN102010	BEARING	2		
7	AH126377	SHIELD	1		R.H. OUTER (CUT TO LENGTH)
8	03H2203	BOLT	1		1/2" X 2-1/4"
	24H1111	WASHER	1		17/32" X 1-1/16" X 0.090"
	A11455	NUT	1		1/2", (SUB 14H1069)
	14H1069	NUT	1		1/2"
9	H137514	SPACER	1	-640500	
	H147370	BUSHING	1	945301-	
10	AH89429	CHAIN SPROCKET	1		15 TEETH
11	AH97342	STRAP	1		
12	03H1500	BOLT	2		3/8" X 1"
	E55662	FLANGE NUT	1		9.525 MM (3/8")
13	AH141274	LINK CHAIN	1		(ROLLER, DRIVE, TYPE 60H, HEAVY DUTY, 3/4" PITCH, 87 LINKS)
14	AH130579	CHAIN SPROCKET	1		AUGER DRIVE, 13 TEETH, (SUB AH138180)
15	W29648	LOCK NUT	1		19.050 MM (3/4")
16	03H2040	BOLT	4		3/8" X 4-1/4"
17	E62951	UNIVERSAL JOINT BEARING	1		(USE WITH H135222)
18	H135222	SHIELD	1		(SLIP CLUTCH) (USE WITH E62951)
19	H86656	LOCK NUT	8		9.525 MM (3/8")
20	24H1653	WASHER	4		13/32" X 1-1/4" X 0.120"
21	H77433	SPRING	4		
22	H136976	SPACER	4		10.340 X 15.880 X 81.500 MM (0.407" X 0.625" X 3.209")
	H87206	SPACER	4	645301-	10.338 X 15.875 X 76.200 MM (0.407" X 5/8" X 3") FOR USE WITH RICE
23	H89525	RETAINER	1		
24	H136032	SLIP CLUTCH	2		
25	H135241	FORGING	1		
26	H89524	WASHER	1		45.237 X 88.900 X 2.005 MM (1-25/32" X 3-1/2" X 0.079")
27	AH87953	DRIVER	1	-635800	(SUB H143581)
	H143581	DRIVER	1		
28	12H236	LOCK WASHER	1		3/4"
29	E43336	LOCK NUT	1		19.050 MM (3/4")

C14

AUGER DRIVE
920 (656301-666300)
HP5892 -UN-07NOV94



HP5892

C15

AUGER AND DRIVE

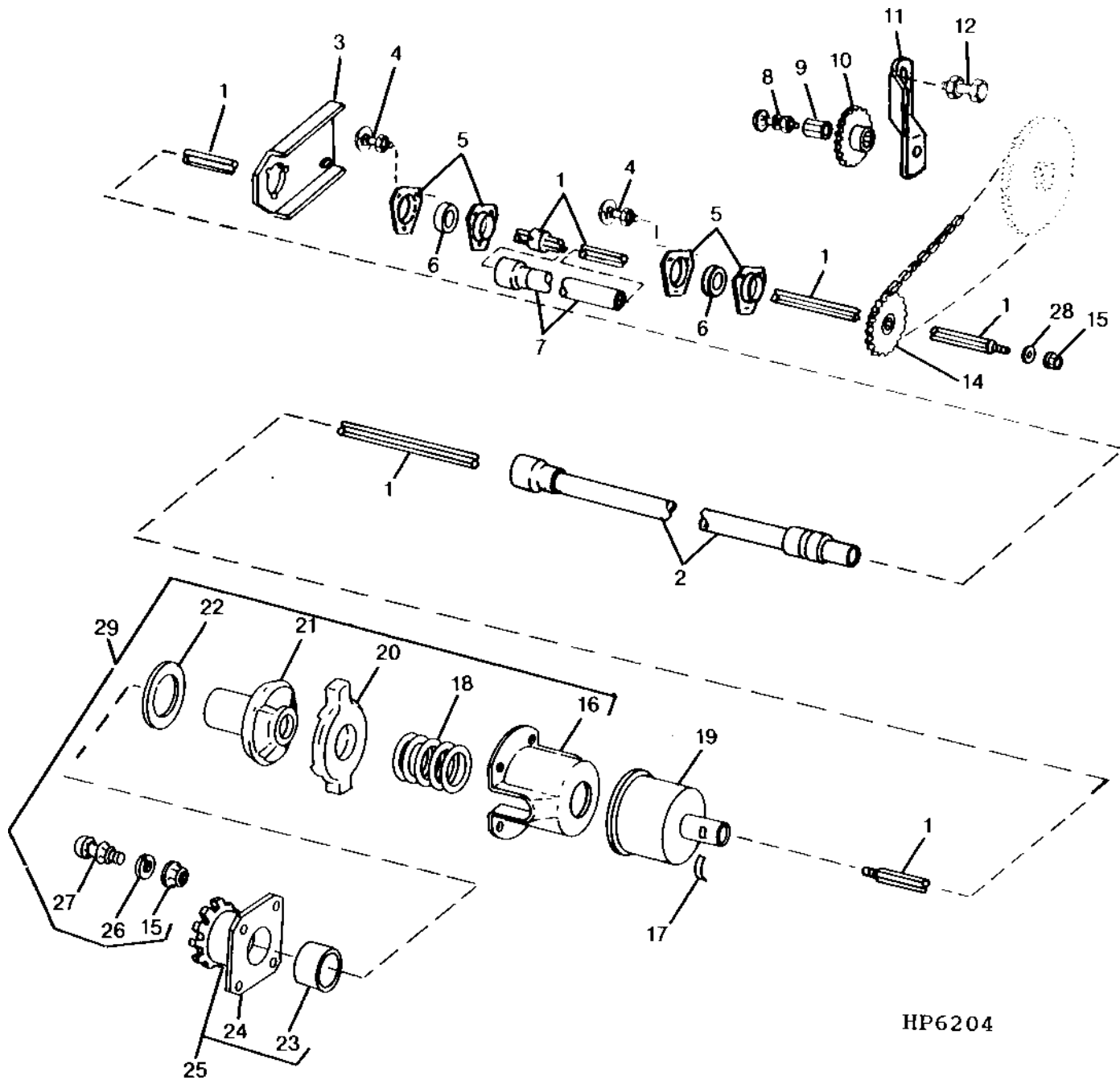
AUGER DRIVE - CONTINUED 920 (656301-666300)

KEY	PART NO.	PART NAME	QTY	SERIAL NO.	REMARKS
1	AH141464	SHAFT	1	-656330	(SUB AH145820)
	AH145820	SHAFT	1		
2	AH126380	POWERSHAFT SHIELD	1		R.H.
3	H94980	BRACKET	1		
4	03M7190	BOLT	6		M10 X 20
	14M7296	FLANGE NUT	6		M10
5	H103265	PRESSED FLANGED HOUSING	4		
6	AN102010	BEARING	2		
7	AH126377	SHIELD	1		R.H. OUTER (CUT TO LENGTH)
8	03M7204	BOLT	1		M12 X 60
	24H1111	WASHER	1		17/32" X 1-1/16" X 0.090"
	14M7299	FLANGE NUT	1		M12
9	H147370	BUSHING	1		
10	AH89429	CHAIN SPROCKET	1		15 TEETH
11	AH97342	STRAP	1		
12	03M7191	BOLT	1		M10 X 25
	14M7296	FLANGE NUT	1		M10
13	AH141274	LINK CHAIN	1		(ROLLER, DRIVE, TYPE 60H, HEAVY DUTY, 3/4" PITCH, 87 LINKS)
14	AH138180	CHAIN SPROCKET	1		AUGER DRIVE, 13 TEETH
15	A31870	LOCK NUT	1		M20
16	03M7297	BOLT	4		M10 X 110
	24M7242	WASHER	1		21.400 X 42 X 5 MM
17	E62951	UNIVERSAL JOINT BEARING	1		(USE WITH H135222)
18	H135222	SHIELD	1		(SLIP CLUTCH) (USE WITH E62951)
19	H148345	LOCK NUT	8		M10
20	24H1653	WASHER	4		13/32" X 1-1/4" X 0.120"
21	H77433	SPRING	4		
22	H136976	SPACER	4		10.340 X 15.880 X 81.500 MM (0.407" X 0.625" X 3.209")
	H87206	SPACER	4		10.338 X 15.875 X 76.200 MM (0.407" X 5/8" X 3") FOR USE WITH RICE
23	H89525	RETAINER	1		
24	H136032	SLIP CLUTCH	2		
25	H135241	FORGING	1		
26	H89524	WASHER	1		45.237 X 88.900 X 2.005 MM (1-25/32" X 3-1/2" X 0.079")
27	H147702	DRIVER	1		
28	12M7070	LOCK WASHER	1		20.200 MM
29	A31870	LOCK NUT	1		M20

C16

AUGER AND DRIVE

AUGER DRIVE
920 (666301-685100)
HP6204 -UN-18OCT95



C17

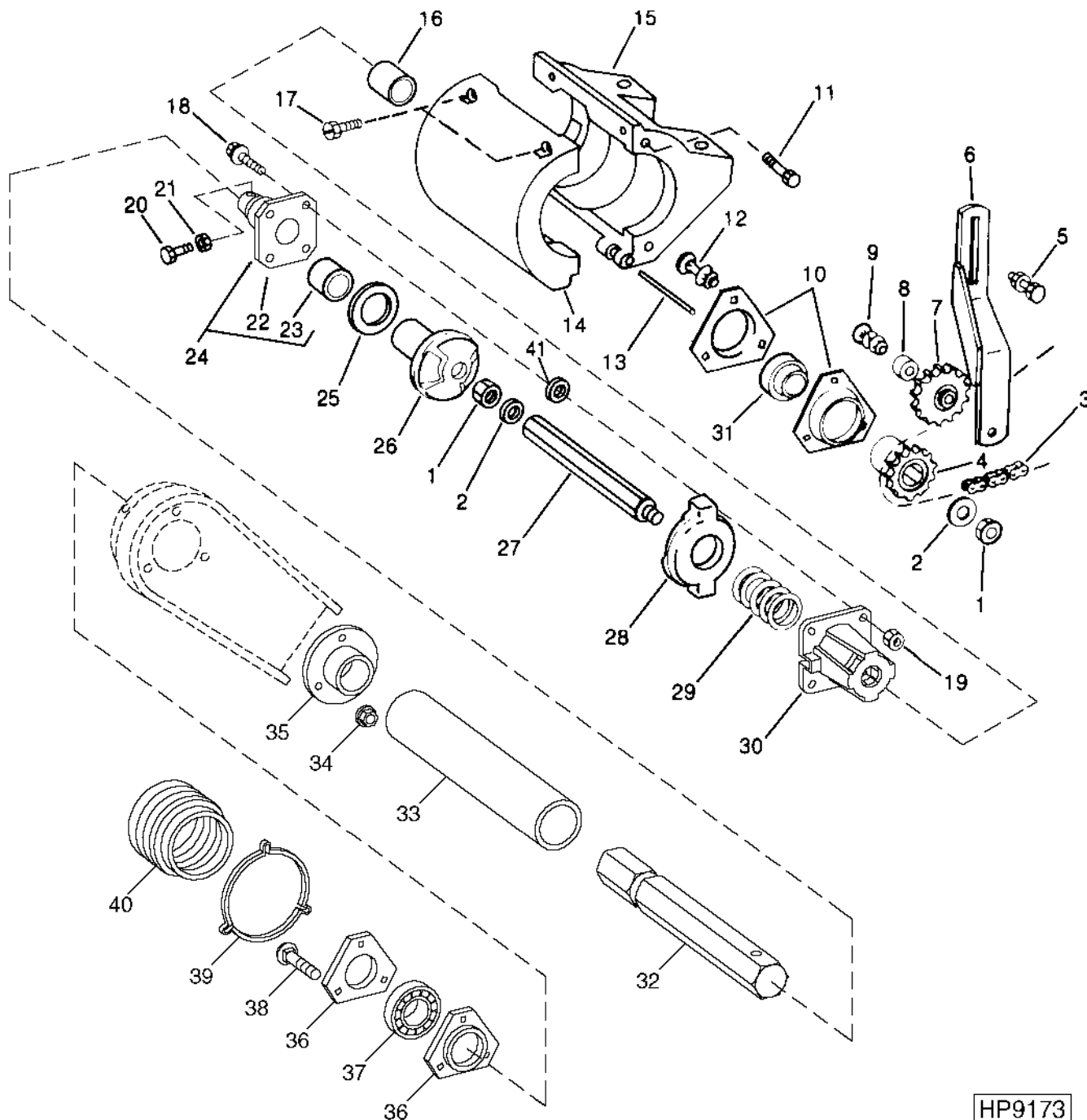
AUGER AND DRIVE

AUGER DRIVE - CONTINUED
920 (666301-685100)

KEY	PART NO.	PART NAME	QTY	SERIAL NO.	REMARKS
1	AH145820	SHAFT	1		CUT TO LEGNTH
2	AH147644	SHIELD	1		R.H. (CUT TO LENGTH)
3	H94980	BRACKET	1		
4	03M7190	BOLT	6		M10 X 20
	14M7296	FLANGE NUT	6		M10
5	H103265	PRESSED FLANGED HOUSING	4		
6	AN102010	BEARING	2		
7	AH147641	SHIELD	1		R.H. OUTER (CUT TO LENGTH)
8	03M7204	BOLT	1		M12 X 60
	24H1111	WASHER	1		17/32" X 1-1/16" X 0.090"
	14M7299	FLANGE NUT	1		M12
9	H147370	BUSHING	1	-671300	
	H114395	SPACER	1	671301-	
10	AH89429	CHAIN SPROCKET	1		15 TEETH
11	AH97342	STRAP	1	-671300	
	AH151356	ADJUSTING STRAP	1	671301-	
12	03M7191	BOLT	1		M10 X 25
	14M7296	FLANGE NUT	1		M10
13	AH141274	LINK CHAIN	1		(ROLLER, DRIVE, TYPE 60H, HEAVY DUTY, 3/4" PITCH, 87 LINKS)
14	AH138180	CHAIN SPROCKET	1		AUGER DRIVE, 13 TEETH
15	A31870	LOCK NUT	2		(A) M20
16	H119710	PLANET PINION CARRIER	1		(A)
17	E62951	UNIVERSAL JOINT BEARING	1		
18	H109855	SPRING	1		(A)
19	H153817	SHIELD	1		
20	H101677	JAW	1		(A)
21	H101678	HUB	1		(A)
22	H99303	WASHER	1		(A)
23	G6579E	BUSHING	1		(A)
24	DRIVER	1		
25	AH147001	DRIVER	1		(A)
26	12M7070	LOCK WASHER	1		(A) 20.200 MM (0.795")
27	19M7813	SCREW	4		(A) M12 X 45
	14M7401	LOCK NUT	4		(A) M12
28	24M7242	WASHER	1		21.400 X 42 X 5 MM
29	AH148412	SLIP CLUTCH	1		

C18

AUGER DRIVE (R.H.) 920
FOR USE WITH UNIVERSAL DRIVES (685101-)
HP9173 -UN-11OCT99



HP9173

C19

AUGER AND DRIVE

**AUGER DRIVE (R.H.) 920 CONTINUED
FOR USE WITH UNIVERSAL DRIVES (685101-)**

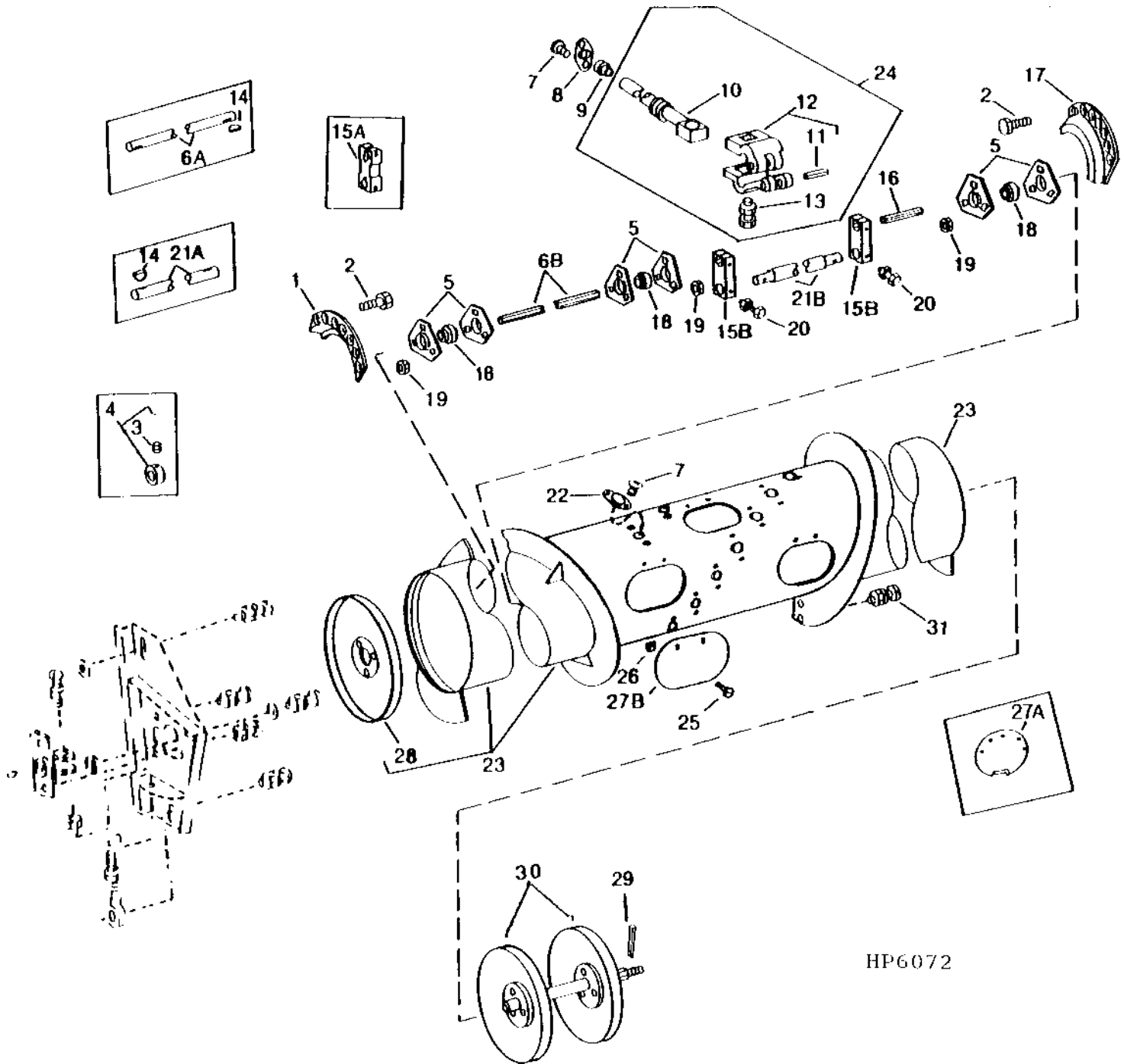
KEY	PART NO.	PART NAME	QTY	SERIAL NO.	REMARKS
1	A31870	LOCK NUT	2	M20	
2	24M7242	WASHER	2	21.400 X 42 X 5 MM	
3	AH141274	LINK CHAIN	1	(TYPE 60H, HEAVY DUTY, 3/4" PITCH, 87 LINKS)	
4	AH138180	CHAIN SPROCKET	1	(13 TOOTH)	
5	03M7191	BOLT	2	M10 X 25	
	14M7296	FLANGE NUT	2	M10	
6	AH151356	ADJUSTING STRAP	1		
7	AH89429	CHAIN SPROCKET	1		
8	H114395	SPACER	1		
9	03M7226	BOLT	1	M12 X 70	
	24H1111	WASHER	1	17/32" X 1-1/16" X 0.090"	
	14M7299	FLANGE NUT	1	M12	
10	H161529	PRESSED FLANGED HOUSING	2		
11	19M7866	SCREW	2	M8 X 20	
12	03M7190	BOLT	13	M10 X 20	
	14M7296	FLANGE NUT	13	M10	
13	H153899	PIN	1		
14	H161927	SHIELD	1	OUTER	
15	H161926	SHIELD	1	INNER	
16	H153595	SPACER	1		
17	19M8317	SCREW	1	M8 X 40	
18	19M7813	SCREW	4	M12 X 45	
19	14M7401	LOCK NUT	4	M12	
20	19M7802	SCREW	1	M8 X 65	
21	14M7396	LOCK NUT	1	M8	
22	DRIVER	1		
23	G6579E	BUSHING	1		
24	AH162064	COUPLING	1		
25	H99303	WASHER	1		
26	H101678	HUB	1		
27	H153594	SHAFT	1		
28	H101677	JAW	1		
29	H109855	SPRING	1		
30	H168575	HOUSING	1		
31	AN102010	BEARING	1		
32	H153590	DRIVE SHAFT	1	20'	
33	H161892	TUBE	1	(67.5" LONG) CUT TO REQUIRED LENGTH	
34	14M7296	FLANGE NUT	3	M10	
35	H162189	RETAINER	1		
36	H161529	PRESSED FLANGED HOUSING	2		
37	AN102010	BEARING	1		
38	03M7194	BOLT	3	M10 X 40	
39	H168246	RING	1		
40	H168297	SHIELD	1		
41	24M7047	WASHER	4	13 X 24 X 2.500 MM	

C20

AUGER AND DRIVE

CROSS AUGER, BEARINGS, SHAFTS AND FINGERS

918 (-635900)
HP6072 -UN-03MAY95



HP6072

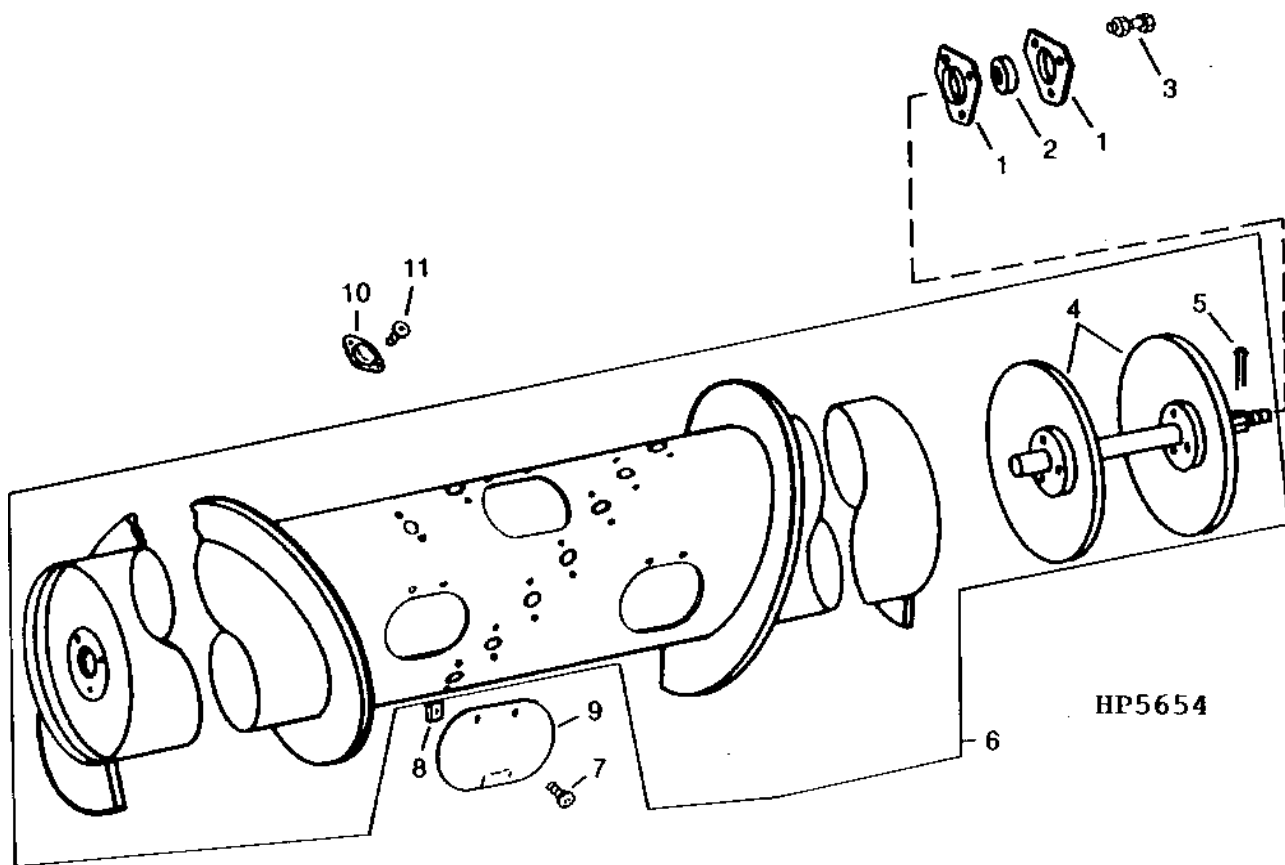
C21

AUGER AND DRIVE

CROSS AUGER, BEARINGS, SHAFTS AND FINGERS - CONTINUED
918 (-635900)

KEY	PART NO.	PART NAME	QTY	SERIAL NO.	REMARKS
1	H134764	SHIELD	1	-630800	(SUB Z20383) (L.H.)
	Z20383	DEFLECTOR	1		(L.H.)
2	H86918	SCREW	8		5/16" X 0.560"
3	22H897	SET SCREW	3	-635100	1/4" X 1/4"
4	JD8551	ECCENTRIC LOCKING COLLAR	3	-635100	
5	E10018	PRESSED FLANGED HOUSING	6	-635100	
	H103265	PRESSED FLANGED HOUSING	6	635101-	
6A	H87218	SHAFT	1	-635100	(L.H.)
6B	H135058	SHAFT	1	635101-	(L.H.)
7	H86918	SCREW	36		7.925 X 14.224 MM (5/16" X 0.560")
8	H87192	CAP	12		
9	H87044	GUIDE	12		FINGER
10	H102724	FINGER	12	-655500	(SUB H150050)
	H150050	FINGER	12		
11	34H318	SPRING PIN	12		1/4" X 1-7/8"
12	AH107066	BEARING	12		
13	19H3549	CAP SCREW	12		5/16" X 1-3/4"
	H110730	FLANGE NUT	12		7.925 MM (5/16")
14	26H77	SHAFT KEY	3	-635100	3/16" X 3/4"
15A	H118913	CRANK	2	-635100	
15B	H136246	CRANK	2	635101-	
16	H94708	PIN	1	-635100	28.575 X 129.540 MM (1-1/8" X 5.100") (R.H.), FINGER CRANK
	H135049	SHAFT	1	635101-	
17	H134763	SHIELD	1	-635100	(R.H.) (SUB Z20384)
	Z20384	DEFLECTOR	1		(R.H.)
18	JD8552	BALL BEARING	3	-635100	
	AN102010	BEARING	1	635101-	
19	E55662	FLANGE NUT	9		9.525 MM (3/8")
20	19H1726	CAP SCREW	4		3/8" X 2-1/4"
	E50102	LOCK NUT	4		9.525 MM (3/8")
21A	H87257	SHAFT	1	-635100	FINGER
21B	H136247	PIN	1	635101-	FINGER
22	H87193	COVER	6		
23	AH111306	AUGER	1	-630800	(SUB AH132152)
	AH132152	AUGER	1	-635100	(USE ON 1989 AND PRIOR) (SUB AH136630)
	AH136630	AUGER	1	-635100	
	AH129338	AUGER	1	635101-	(SUB AH142374)
24	AH110993	FINGER	8	-655500	(ASSY) (SUB AH143705)
	AH143705	FINGER	8		(SUB AH107066, 19M8319 AND 14M7396)
25	19H1919	CAP SCREW	6		1/4" X 5/8"
26	P41706	NUT	6		6.350 MM (1/4") (SUB BP13712)
	BP13712	NUT	6		6.350 MM (1/4")
27A	H87184	COVER	3	-635100	
27B	H136046	COVER	3	635101-	
28	AH124929	CYLINDER HEAD	3	-635100	
29	11H237	COTTER PIN	1		1/8" X 2"
30	AH94788	SHAFT	1	-635100	(SUB AH148572, AH148573, AH148576 AND AH149325) (ROUND)
	AH132334	DRIVER	1	635101-	(SUB AH142379) (HEX)
31	03M7184	BOLT	1		M8 X 20
	14M7298	FLANGE NUT	1		M8

CROSS AUGER AND SHAFT
920(646301-656300)
HP5654 -UN-01JAN94



C23

AUGER AND DRIVE

CROSS AUGER AND SHAFT - CONTINUED
920(646301-656300)

KEY	PART NO.	PART NAME	QTY	SERIAL NO.	REMARKS
1	H103265	PRESSED FLANGED HOUSING	2		
2	AN102010	BEARING	1		
3	03H1500	BOLT	3		3/8" X 1"
	14H812	NUT	3		3/8"
	E55662	FLANGE NUT	3		9.525 MM (3/8")
4	AH132334	DRIVER	1		(HEX SHAFT) (SUB AH142379)
5	11M7028	COTTER PIN	1		5 X 32 MM
6	AH139941	AUGER	1		(SUB AH142537) (920) (RICE)
7	19H1919	CAP SCREW	6		1/4" X 5/8"
8	P41706	NUT	6		6.350 MM (1/4") (SUB BP13712)
	BP13712	NUT	6		6.350 MM (1/4")
9	H136046	COVER	3		
10	H87193	COVER	4	-641579	
11	H86918	SCREW	4	-641579	7.925 X 14.224 MM (5/16" X 0.560")

C24

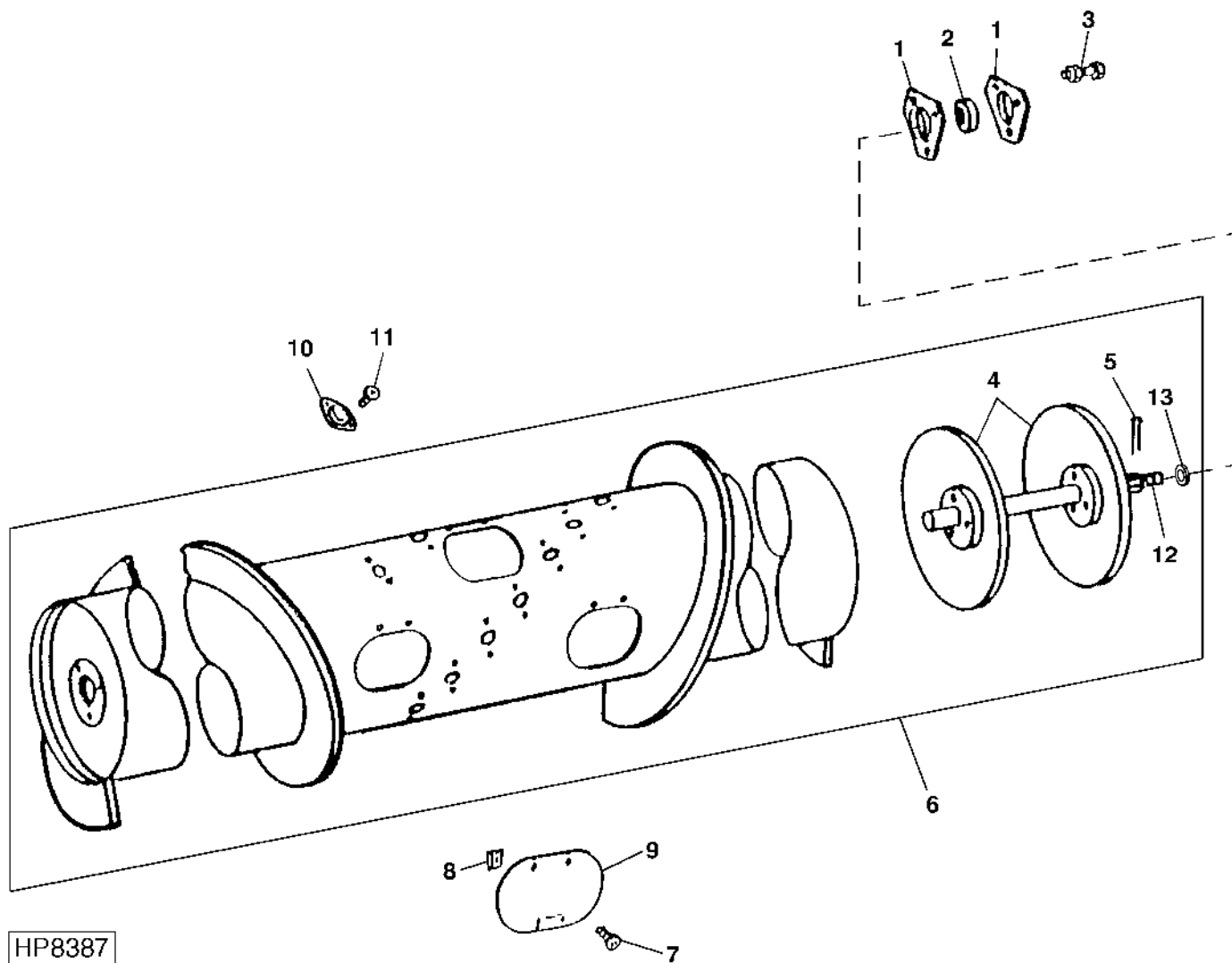
CROSS AUGER AND SHAFT

920(656301-

)

HP8387

-UN-24MAR99



C25

AUGER AND DRIVE

CROSS AUGER AND SHAFT - CONTINUED

920(656301-)

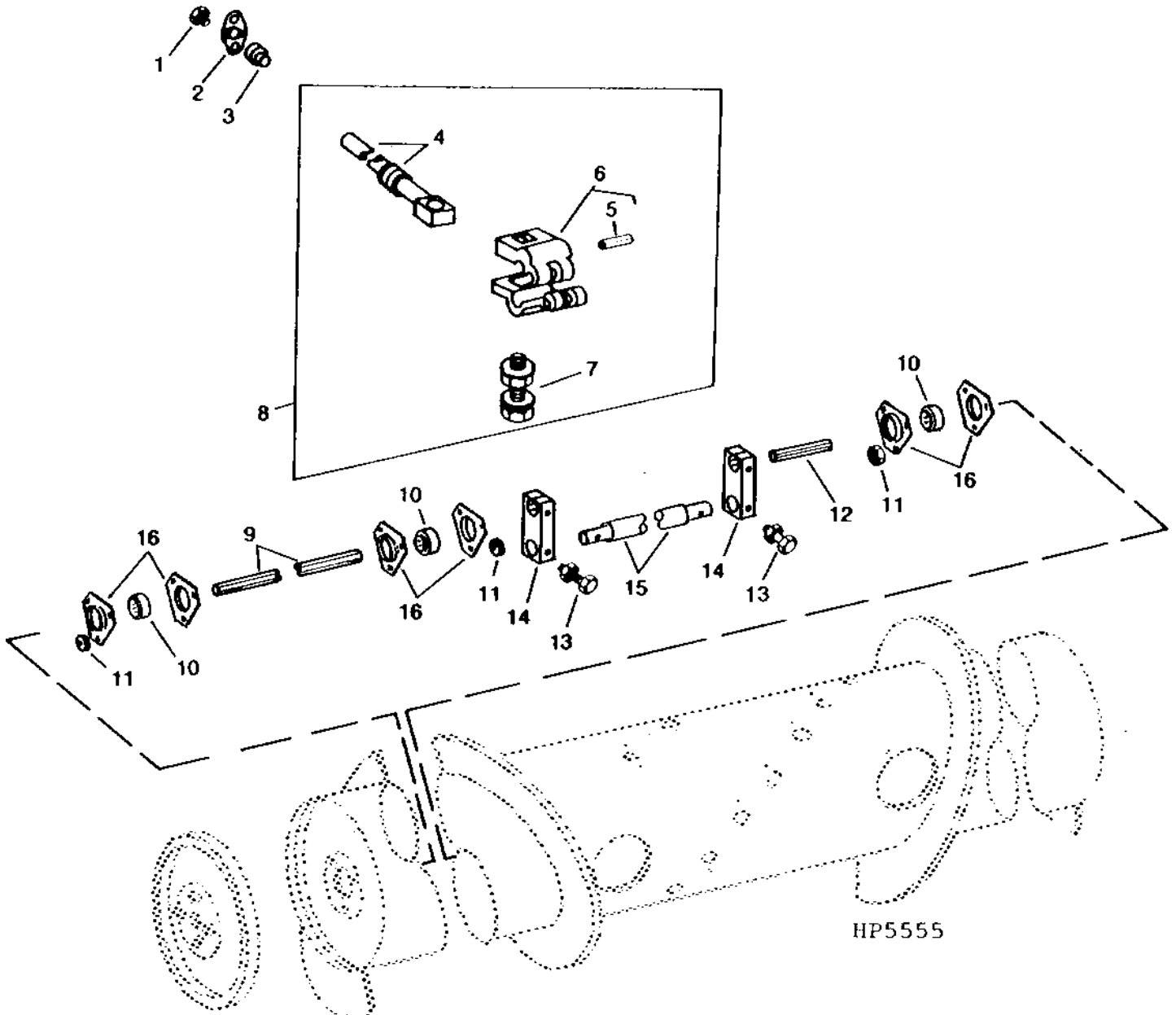
KEY	PART NO.	PART NAME	QTY	SERIAL NO.	REMARKS
1	H103265	PRESSED FLANGED HOUSING	2	-675300	ORDER H161529
	H161529	PRESSED FLANGED HOUSING	2		
2	AN102010	BEARING	1		
3	03M7190	BOLT	3		M10 X 20
	14M7296	FLANGE NUT	3		M10
4	AH142379	DRIVER	1	-665300	
	AH148572	AUGER	1	665301-	
5	11M7028	COTTER PIN	1	-665300	5 X 32 MM
	11M7030	COTTER PIN	1	665301-	5 X 40 MM
6	AH159428	AUGER	1		(SUB FOR AH142537 OR AH149116)
7	19M7775	SCREW	6		M6 X 16
8	M84972	NUT	6		6 MM (0.236")
9	H136046	COVER	3		
10	H87193	COVER	AR		
11	H86918	SCREW	AR		7.925 X 14.224 MM (5/16" X 0.560")
12	AH148576	DRIVE SHAFT	1	665301-	
13	T29049	WASHER	1		

D1

CROSS AUGER BEARINGS, SHAFTS, AND FINGERS

920 (646301-656300)

HP5555 -UN-01JAN94



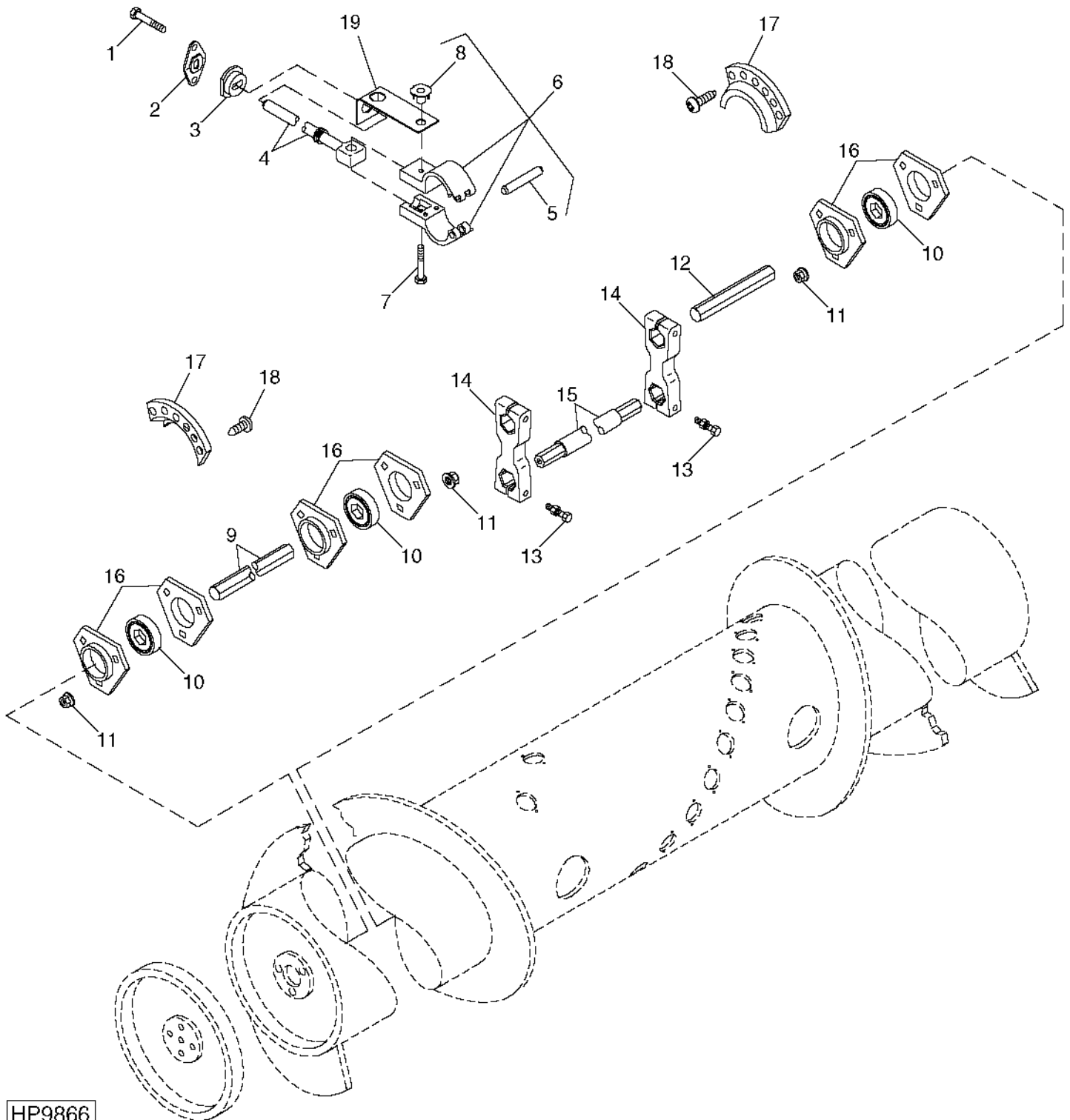
CROSS AUGER BEARINGS, SHAFTS AND FINGERS - CONTINUED
920 (646301-656300)

KEY	PART NO.	PART NAME	QTY	SERIAL NO.	REMARKS
1	H86918	SCREW	46		7.925 X 14.224 MM (5/16" X 0.560")
2	H87192	CAP	23		
3	H87044	GUIDE	23		
4	H102724	FINGER	23		(SUB H150050)
5	34H318	SPRING PIN	23		1/4" X 1-7/8"
6	AH107066	BEARING	23		
7	19H3549	CAP SCREW	23		5/16" X 1-3/4"
	H110730	FLANGE NUT	23		7.925 MM (5/16")
8	AH110993	FINGER	23		(SUB AH143705)
9	H135059	SHAFT	1		
10	AN102010	BEARING	3		
11	E55662	FLANGE NUT	9		9.525 MM (3/8")
12	H135049	SHAFT	1		
13	19H1726	CAP SCREW	4		3/8" X 2-1/4"
	E50102	LOCK NUT	4		9.525 MM (3/8")
14	H136246	CRANK	2		
15	H136247	PIN	1		
16	H103265	PRESSED FLANGED HOUSING	6		

D3

CROSS AUGER BEARINGS, SHAFTS, AND FINGERS - CONTINUED

920 (656301-)
HP9866 -UN-28JUN00



HP9866

D4

AUGER AND DRIVE

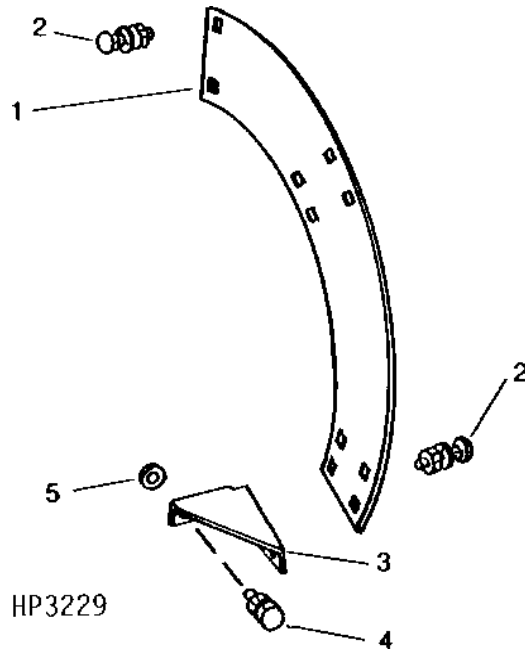
CROSS AUGER BEARINGS, SHAFTS AND FINGERS - CONTINUED
920 (656301-)

KEY	PART NO.	PART NAME	QTY	SERIAL NO.	REMARKS
1	H86918	SCREW	46		7.925 X 14.224 MM (5/16" X 0.560")
2	H87192	CAP	23		
3	H87044	GUIDE	23		
4	H162662	FINGER	23		(SUB FOR (23) H150050)
5	34H318	SPRING PIN	23		1/4" X 1-7/8"
6	AH107066	BEARING	23	-685100	
	AH164128	SUPPORT	23	685101-	
7	19M8318	SCREW	23	-685100	M8 X 45
	19M8319	SCREW	23	685101-	M8 X 50
	14M7396	LOCK NUT	23		M8
8	H169205	NUT	23	-685100	
9	H135059	SHAFT	1		
10	AN102010	BEARING	3		
11	14M7296	FLANGE NUT	9		M10
12	H165099	BAR	1		(SUB FOR H135049)
13	19M8292	SCREW	4	-685100	M10 X 50
	14M7400	LOCK NUT	4	-685100	M10
	03M7380	BOLT	4	685101-	M12 X 70, USE WITH H174360
	H137329	LOCK NUT	4	685101-	M12, USE WITH H174360
14	H136246	CRANK	2	-685100	
	H174360	CRANK	2	685101-	
15	H136247	PIN	1	-685100	
	H166762	SHAFT	1	685101-	
16	H103265	PRESSED FLANGED HOUSING	6		
17	Z20383	DEFLECTOR	1		L.H.
	Z20384	DEFLECTOR	1		R.H.
18	37M7058	SCREW	8		M8 X 20
19	H174947	RETAINER	23	685101-	CAN ONLY BE USED WITH H174360 CRANKS

D5

AUGER FLIGHT EXTENSIONS

(920)(-655300)
HP3229 -UN-01JAN94



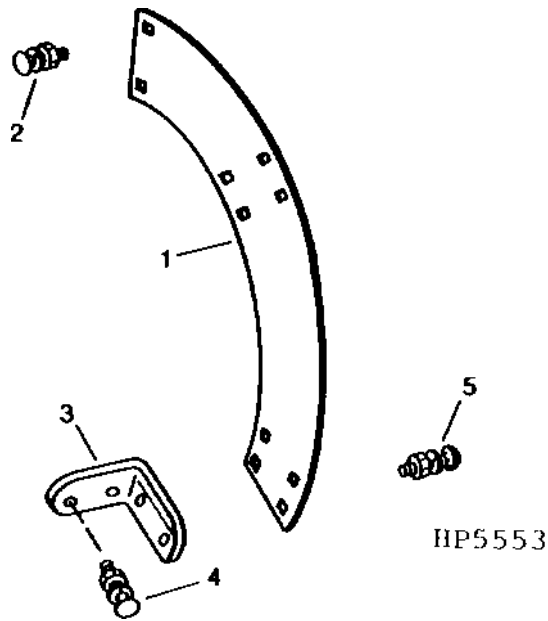
KEY	PART NO.	PART NAME	QTY	SERIAL NO.	REMARKS
1	H130934	EXTENSION	1	-644999	R.H.
	H130935	FLIGHT	1	-644999	L.H.
	AH143317	FLIGHT	1	645000-	R.H.
2	AH143316	SHIELD	1	645000-	L.H.
	03H1540	BOLT	12	-644999	5/16" X 3/4"
	N10213	LOCK NUT	12	-644999	7.925 MM (5/16")
3	03H1937	BOLT	12	645000-	5/16" X 1-1/4"
	A22698	NUT	12	645000-	7.925 MM (5/16")
	H111905	GUSSET	2	-644999	L.H.
4	H111904	GUSSET	2	-644999	R.H.
	H145998	GUSSET	2	645000-	L.H.
	H145997	GUSSET	2	645000-	R.H.
	19H3411	CAP SCREW	6	-644999	3/8" X 1-1/8"
5	12H304	LOCK WASHER	6	-644999	3/8"
	14H812	NUT	6	-644999	3/8"
	19H1906	CAP SCREW	8	645000-	5/16" X 1-1/2"
	24H1308	WASHER	8	645000-	13/32" X 1" X 0.134"
	12M7065	LOCK WASHER	8	645000-	8.100 MM (0.319")
	A22698	NUT	8	645000-	7.925 MM (5/16")

BH78197 (COMPLETE GOODS) FLIGHT ASSEMBLY - PLATFORM AUGER EXTENSION

D6

AUGER FLIGHT EXTENSIONS

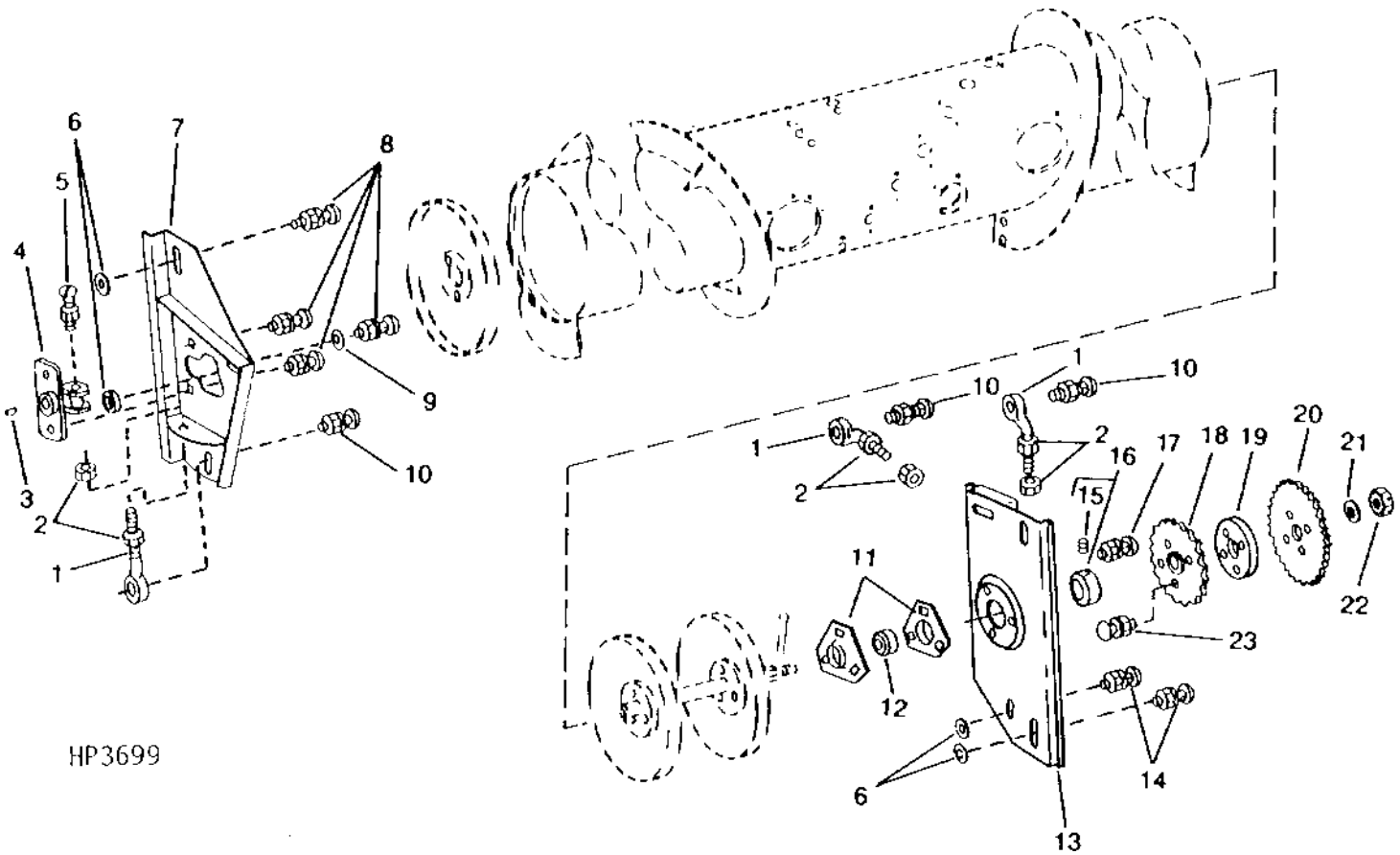
(920) (656301-)
 HP5553 -UN-01JAN94



KEY	PART NO.	PART NAME	QTY	SERIAL NO.	REMARKS
1	AH143317	FLIGHT	1	R.H.	
	AH143316	FLIGHT	1	L.H.	
2	03M7184	BOLT	4	M8 X 20	
	14M7298	FLANGE NUT	4	M8	
3	H145998	GUSSET	2	L.H.	
	H145997	GUSSET	2	R.H.	
4	19M7323	CAP SCREW	8	M8 X 40	
	24H1308	WASHER	16	13/32" X 1" X 0.134"	
	12M7065	LOCK WASHER	8	8.100 MM (0.319")	
	14M7298	FLANGE NUT	8	M8	
5	03M7186	BOLT	8	M8 X 30	
	14M7298	FLANGE NUT	8	M8	

CROSS AUGER BRACKETS

918 (-635900)
HP3699 -UN-01JAN94



HP3699

D8

AUGER AND DRIVE

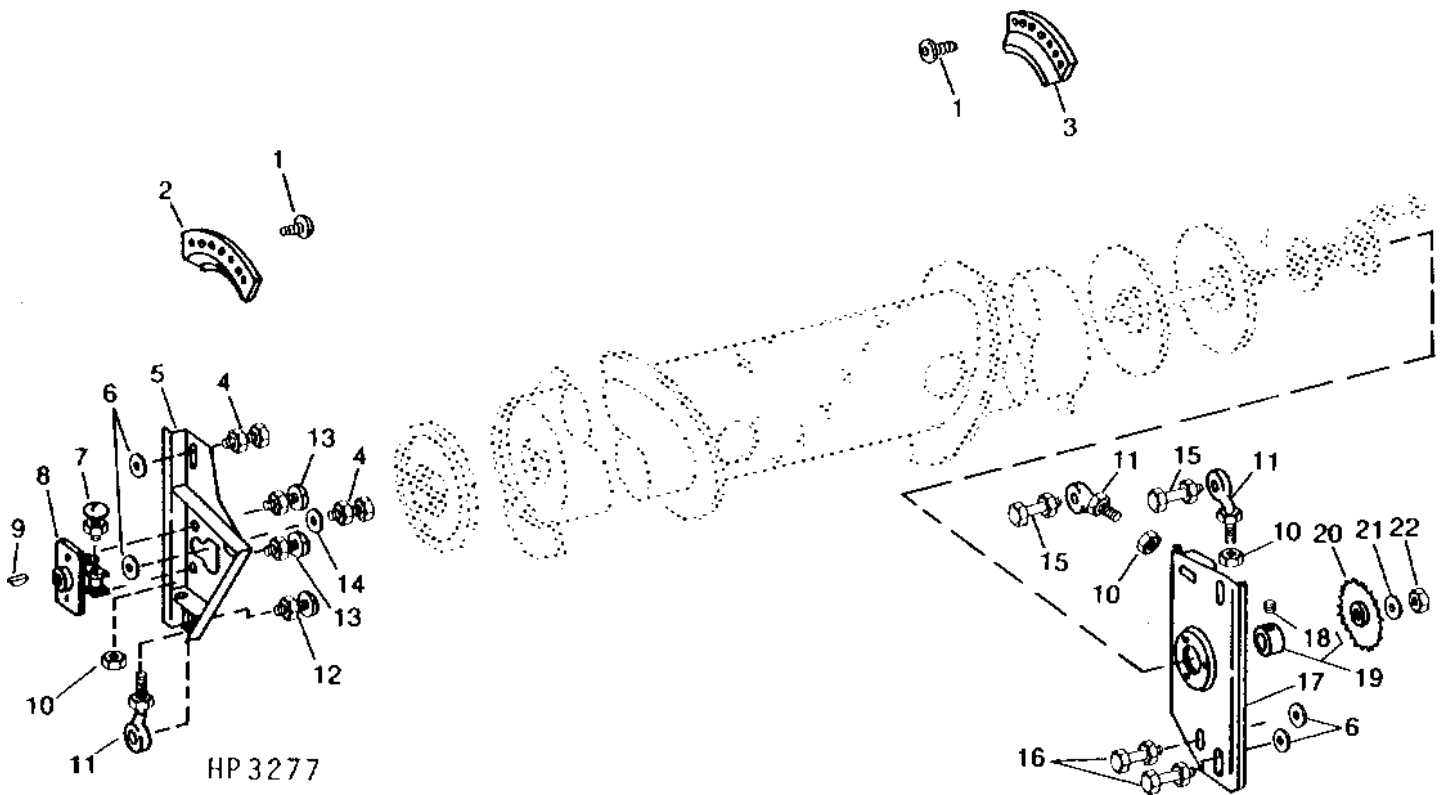
CROSS AUGER BRACKETS - CONTINUED

918 (-635900)

KEY	PART NO.	PART NAME	QTY	SERIAL NO.	REMARKS
1	H87395	EYEBOLT	3		
2	14H1040	NUT	6		1/2"
3	26H77	SHAFT KEY	1	-635100	3/16" X 3/4"
4	H96757	SUPPORT	1	-635100	(L.H.) (ROUND SHAFT)
	CM16596	SUPPORT	1	-635100	(L.H.) (ROUND SHAFT) (SUB H149440)
	H149440	SUPPORT	1		
	H141711	SUPPORT	1	635101-640600	(L.H.) (HEX SHAFT) (SUB CM21106)
	CM21106	SUPPORT	1	635101-	(L.H.) (HEX SHAFT) (SUB H149441)
	H149441	SUPPORT	1		
5	19H1726	CAP SCREW	1		3/8" X 2-1/4"
	12H304	LOCK WASHER	1	-635100	3/8"
	14H812	NUT	1	-635100	3/8"
	E55662	FLANGE NUT	1		3/8"
6	24H1111	WASHER	4	-635100	17/32" X 1-1/16" X 0.090"
7	AH108738	BRACKET	1	-635100	L.H.
	AH139082	BRACKET	1	635101-671310	L.H.
	AH153804	BRACKET	1	671311-	
8	03H1746	BOLT	4		1/2" X 1-1/4"
	12H301	LOCK WASHER	4	-635100	1/2"
	14H1040	NUT	4	-635100	1/2"
	A11455	NUT	5	635101-	1/2", (SUB 14H1069)
	14H1069	NUT	5		1/2"
9	H113355	NUT	1		12.700 MM (1/2")
10	03H1731	BOLT	2	-635100	1/2" X 1-1/2"
	03H1746	BOLT	2	635101-	1/2" X 1-1/4"
	12H301	LOCK WASHER	2	-635100	1/2"
	14H1040	NUT	2	-635100	1/2"
	A11455	NUT	3	635101-	1/2", (SUB 14H1069)
	14H1069	NUT	3		1/2"
11	H103265	PRESSED FLANGED HOUSING	2		
12	JD9209	BALL BEARING	1	-635100	
	AN102010	BEARING	1	635101-	
13	AH88838	BRACKET	1	-635100	R.H.
	AH133436	BRACKET	1	635101-	(R.H.)
14	03H1659	BOLT	2		1/2" X 1"
	12H301	LOCK WASHER	2		1/2"
	14H1040	NUT	2		1/2"
15	22H979	SET SCREW	1	-635100	3/8" X 3/8"
16	JD8576	ECCENTRIC LOCKING COLLAR	1	-635100	
17	03H1500	BOLT	3		3/8" X 1"
	12H304	LOCK WASHER	3		3/8"
	14H812	NUT	3		3/8"
18	AH97016	CHAIN SPROCKET	1	-635100	40 TEETH, DRIVE
	AH129328	CHAIN SPROCKET	1	635101-	40 TEETH, DRIVE
19	H139831	SPACER	1		
20	H98513	CHAIN SPROCKET	1		60 TEETH, DRIVE
21	24H1402	WASHER	1	-635100	25/32" X 1-7/8" X 1/4"
	24H1399	WASHER	1	635101-	25/32" X 1-5/8" X 0.180"
22	14H902	NUT	1	-635100	3/4" (FINE THREAD)
	14H912	NUT	1	635101-	3/4" (COURSE THREAD)
23	19H1824	CAP SCREW	4		5/8" X 2-1/4"
	12H294	LOCK WASHER	4		5/8"
	14H1039	NUT	4		5/8"

CROSS AUGER BRACKETS

920 (-656300)
HP3277 -UN-01JAN94



D10

AUGER AND DRIVE

AUGER BRACKETS AND SHIELDS - CONTINUED
(920) (-656300)

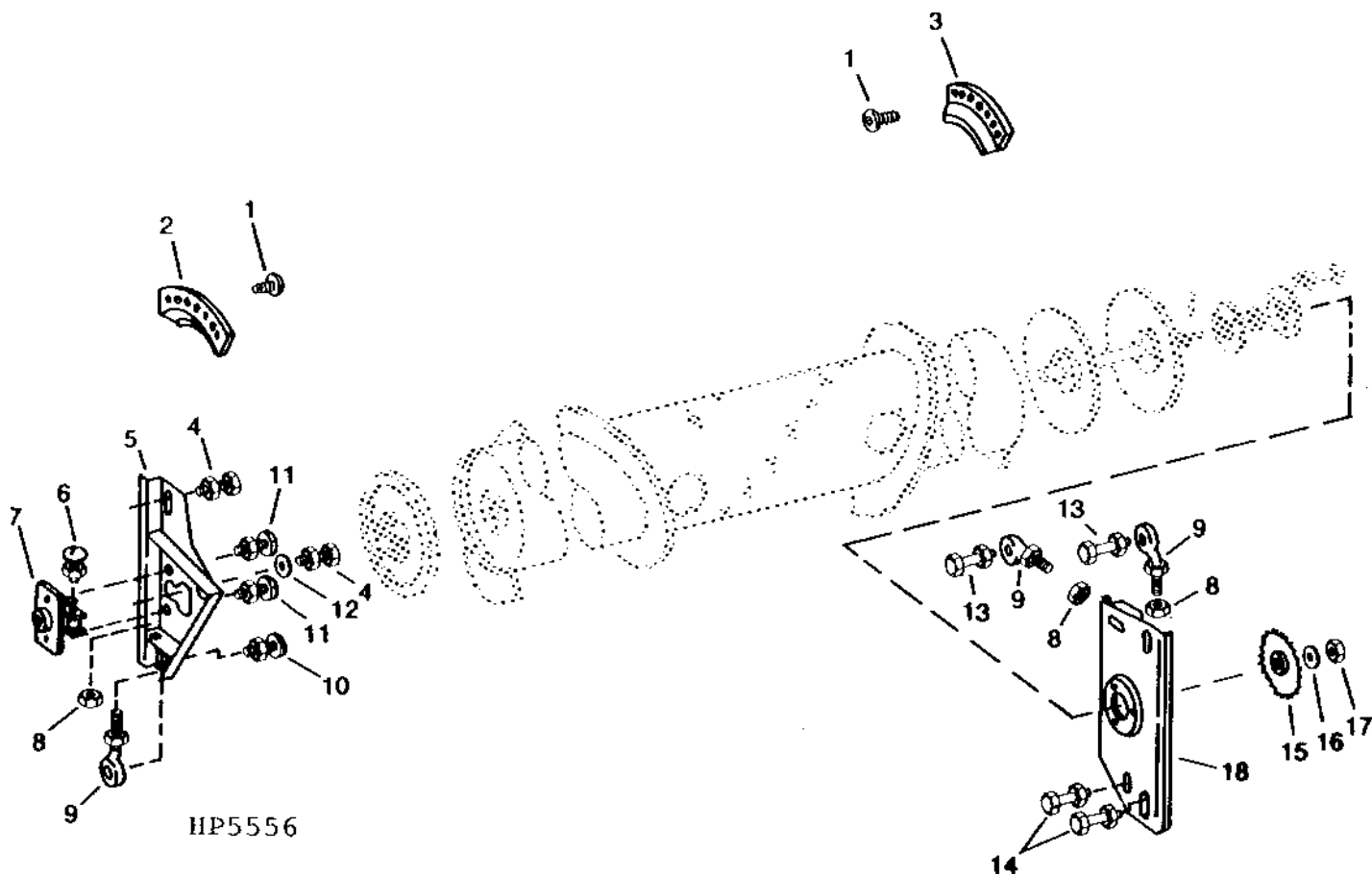
KEY	PART NO.	PART NAME	QTY	SERIAL NO.	REMARKS
1	H86918	SCREW	8		5/16" X 0.560"
2	H134764	SHIELD	1		L.H. RIGID, (SUB Z20383)
	Z20383	DEFLECTOR	1		L.H. RIGID
3	H134763	SHIELD	1		R.H. RIGID, (SUB Z20384)
	Z20384	DEFLECTOR	1		R.H. RIGID
4	03H1746	BOLT	2		1/2" X 1-1/4"
	12H301	LOCK WASHER	2	-635100	1/2"
	14H809	NUT	2	-635100	1/2"
	A11455	NUT	2	635101-	12.700 MM (1/2") (SUB 14H1069)
	14H1069	NUT	2		
5	AH108738	BRACKET	1	-635100	(A) (SUB AH139082)
	AH139082	BRACKET	1		
6	24H1111	WASHER	4	-635100	17/32" X 1-1/16" X 0.090"
7	19H1726	CAP SCREW	1		(A) 3/8" X 2-1/4"
	12H304	LOCK WASHER	1	-635100	(A) 3/8"
	14H812	NUT	1	-635100	(A) 3/8"
	E55662	FLANGE NUT	1	635101-	9.525 MM (3/8")
8	H96757	SUPPORT	1	-635100	(A) (ROUND SHAFT) (SUB CM16596)
	CM16596	SUPPORT	1		(ROUND SHAFT) (SUB H149440)
	H141711	SUPPORT	1	635101-638500	(HEX SHAFT) (SUB CM21106)
	CM21106	SUPPORT	1		(HEX SHAFT) (SUB H149441)
9	26H77	SHAFT KEY	1	-635100	3/16" X 3/4"
10	14H809	NUT	6		1/2"
11	H87395	EYEBOLT	3		
12	03H1731	BOLT	1	-635100	1/2" X 1-1/2"
	03H1746	BOLT	1	635101-	1/2" X 1-1/4"
	12H301	LOCK WASHER	1	-635100	1/2"
	14H809	NUT	1	-635100	1/2"
	A11455	NUT	1	635101-	12.700 MM (1/2") (SUB 14H1069)
	14H1069	NUT	1		1/2"
13	03H1746	BOLT	3		(A) 1/2" X 1-1/4"
	12H301	LOCK WASHER	2	-635100	(A) 1/2"
	14H809	NUT	2	-635100	(A) 1/2"
	A11455	NUT	3	635101-	12.700 MM (1/2") (SUB 14H1069)
	14H1069	NUT	3		1/2"
14	H113355	NUT	1		
15	03H1731	BOLT	2		1/2" X 1-1/2"
	12H301	LOCK WASHER	2	-635100	1/2"
	14H809	NUT	2	-635100	1/2"
	A11455	NUT	2	635101-	12.700 MM (1/2") (SUB 14H1069)
	14H1069	NUT	2		1/2"
16	03H1746	BOLT	2		1/2" X 1-1/4"
	12H301	LOCK WASHER	2		1/2"
	14H809	NUT	2		1/2"
17	AH88838	BRACKET	1	-635100	(SUB AH133436)
	AH133436	BRACKET	1		
18	22H979	SET SCREW	1	-635100	3/8" X 3/8"
19	JD8576	ECCENTRIC LOCKING COLLAR	1	-635100	
20	AH87947	CHAIN SPROCKET	1	-635100	DRIVE, 40 TEETH (REGULAR SPEED)
	AH131039	CHAIN SPROCKET	1	635101-	DRIVE, 40 TEETH (REGULAR SPEED)
	AH88802	CHAIN SPROCKET	1	-635100	DRIVE, 50 TEETH (SLOW SPEED)
	AH134771	CHAIN SPROCKET	1	635101-	DRIVE, 50 TEETH (SLOW SPEED)
21	24H1402	WASHER	1	-635100	25/32" X 1-7/8" X 1/4"
	24H1399	WASHER	1	635101-	25/32" X 1-5/8" X 0.180"
22	14H902	NUT	1	-635100	3/4", SLOTTED (FINE THREAD)
	14H912	NUT	1	635101-	3/4" (COARSE THREAD)

PART LISTED BELOW CONSISTS OF ALL PARTS IDENTIFIED BY AN (A):
 .. AH97240 BRACKET 1

D11

CROSS AUGER BRACKETS

920 (656301-)
HP5556 -UN-01JAN94



D12

AUGER AND DRIVE

AUGER BRACKETS AND SHIELDS - CONTINUED

920 (656301-)

KEY	PART NO.	PART NAME	QTY	SERIAL NO.	REMARKS
1	37M7058	SCREW	8		M8 X 20
2	Z20383	DEFLECTOR	1		L.H. RIGID
3	Z20384	DEFLECTOR	1		R.H. RIGID
4	03M7198	BOLT	2		M12 X 30
	14M7299	FLANGE NUT	2		M12
5	AH139082	BRACKET	1		L.H.
6	19M7807	SCREW	1		M10 X 60
	12M7066	LOCK WASHER	1		10.200 MM
	14M7400	LOCK NUT	1		M10
7	H149441	SUPPORT	1		(HEX SHAFT)
8	14M7275	NUT	6		M12
9	H147699	EYEBOLT	3		
10	03M7198	BOLT	1		M12 X 30
	14M7299	FLANGE NUT	1		M12
11	03M7198	BOLT	3		M12 X 30
	14M7299	FLANGE NUT	3		M12
12	H113355	NUT	1		12.700 MM (1/2")
13	03H1731	BOLT	2		1/2" X 1-1/2"
	14M7299	FLANGE NUT	2		M12
14	03M7198	BOLT	2		M12 X 30
	14M7299	FLANGE NUT	2		M12
15	AH131039	CHAIN SPROCKET	1	-665300	DRIVE, 40 TEETH (REGULAR SPEED)
	AH134771	CHAIN SPROCKET	1		DRIVE, 50 TEETH (SLOW SPEED)
	AH152670	CHAIN SPROCKET	1		DRIVE, 40 TEETH (REGULAR SPEED)
16	24M7242	WASHER	1		21.400 X 42 X 5 MM
17	14M7495	NUT	1		M20, SLOTTED
18	AH133436	BRACKET	1		R.H.

D13

METRIC KEY STOCK KIT

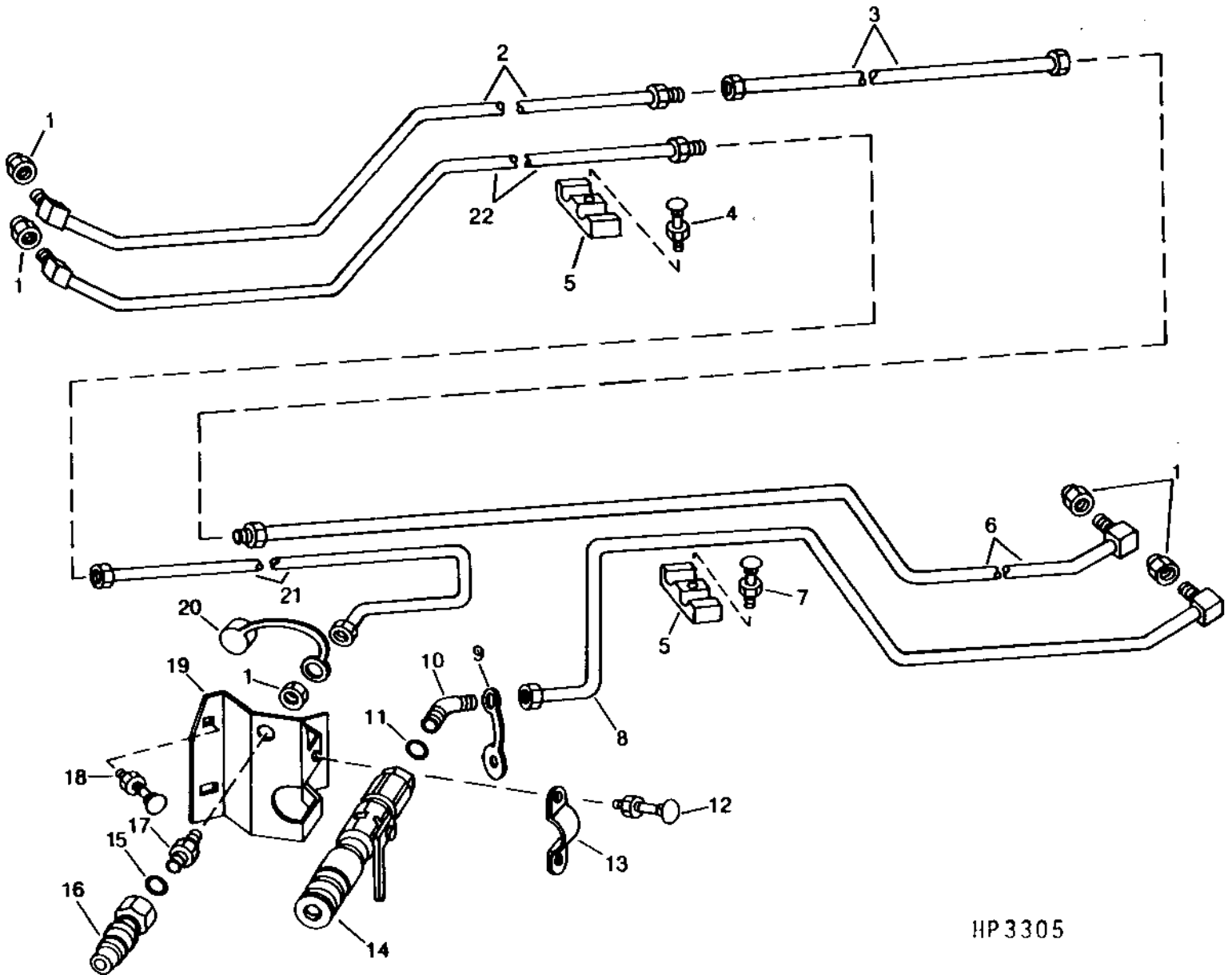
KEY	PART NO.	PART NAME	QTY	SERIAL NO.	REMARKS
..	SHAFT KEY	3		5 X 305MM SQUARE (IN AH141142 KEY STOCK KIT) (CUT FROM H150267)
..	SHAFT KEY	3		6 X 305MM SQUARE (IN AH141142 KEY STOCK KIT) (CUT FROM H150268)
..	SHAFT KEY	1		8 X 305MM SQUARE (IN AH141142 KEY STOCK KIT) (CUT FROM H150275)
..	SHAFT KEY	2		8 X 7 X 305MM RECTANGULAR (IN AH141142 KEY STOCK KIT) (CUT FROM H150269)
..	SHAFT KEY	1		10 X 8 X 305 MM RECTANGULAR (IN AH141142 KEY STOCK KIT) (CUT FROM H150270)
..	SHAFT KEY	1		12 X 8 X 305MM RECTANGULAR (IN AH141142 KEY STOCK KIT) (CUT FROM H150271)
..	SHAFT KEY	1		14 X 8 X 305MM RECTANGULAR (IN AH141142 KEY STOCK KIT) (CUT FROM H150272)
..	AH141142	SHAFT KEY	1		

MEMORANDA

D16

HYDRAULICS

REEL DRIVE LINES
918 (-635900)
HP3305 -UN-01JAN94



HP3305

D17

HYDRAULICS

REEL DRIVE LINES - CONTINUED

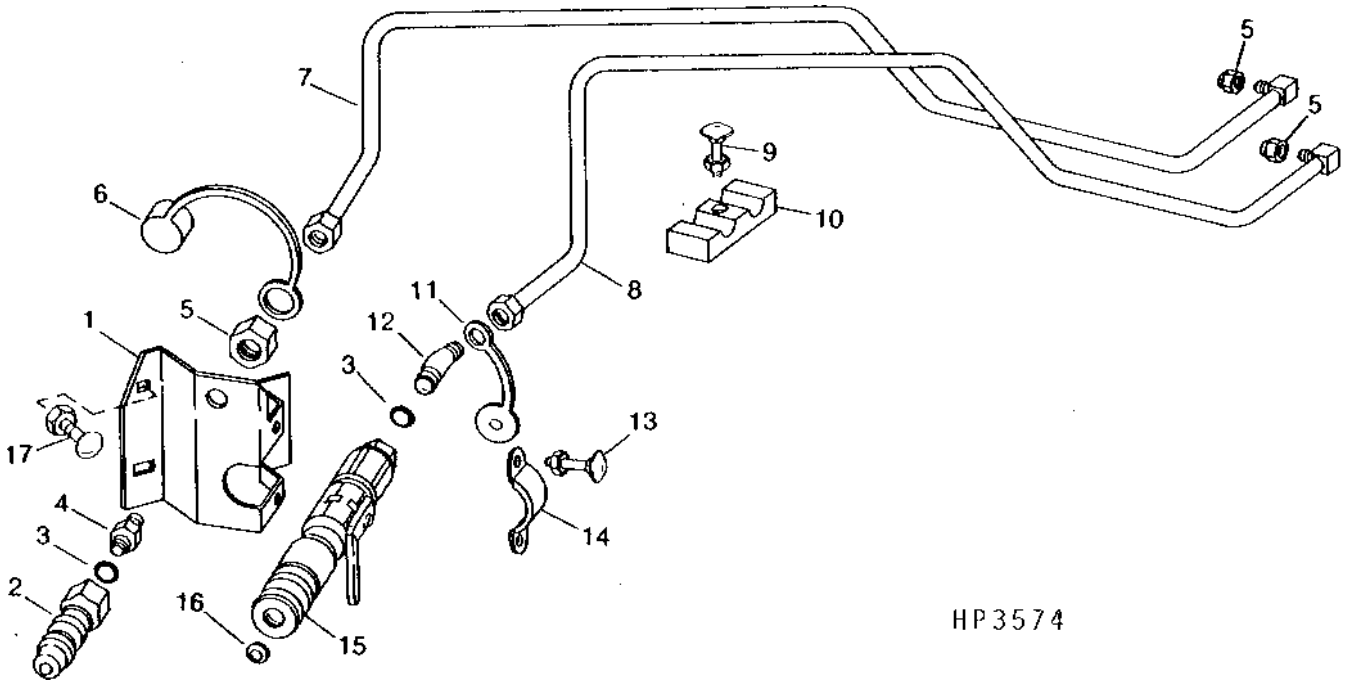
918 (-635900)

KEY	PART NO.	PART NAME	QTY	SERIAL NO.	REMARKS
1	14H904	NUT	5		3/4"
2	AH120466	OIL LINE	1		L.H. RETURN
3	AH98071	LINE	1		CENTER RETURN
4	03H1813	BOLT	2		1/4" X 1-3/4"
	H122207	FLANGE NUT	2		1/4", (SUB R40694)
5	H108245	CLAMP	8	-640600	(GREEN) (SUB H135156)
	H135156	CLAMP	8		(BLACK)
6	AH120465	OIL LINE	1		R.H. RETURN
7	03H2163	BOLT	2		1/4" X 1-3/4"
	H122207	FLANGE NUT	2		1/4", (SUB R40694)
8	AH123492	OIL LINE	1		RETURN FROM L.H. MOTOR
9	H125403	PLUG	1		
10	AT35599	ELBOW FITTING	1		
11	R26375	O-RING	2		16.358 X 2.210 MM (0.644" X 0.087")
12	19H1948	CAP SCREW	2		1/4" X 3/4"
	N10217	LOCK NUT	2		6.350 MM (1/4") (FLANGE)
13	H117229	YOKE	1		
14	AH128241	HYD. QUICK-CONNECT COUPLER	1		
15	R21722	O-RING	1		20.218 X 3.531 MM (0.796" X 0.139")
16	AR94522	INTERNAL HALF COUPLER	1		
17	H115890	UNION FITTING	1		
18	03H1540	BOLT	3		5/16" X 3/4"
	A22698	NUT	3		7.925 MM (5/16")
19	H128039	BRACKET	1		
20	A15898	CAP	1		
21	AH123531	OIL LINE	1		CENTER PRESSURE
22	AH120464	OIL LINE	1		L.H. PRESSURE

D18

HYDRAULICS

REEL DRIVE LINES
(920) (646301-656300)
HP3574 -UN-01JAN94



D19

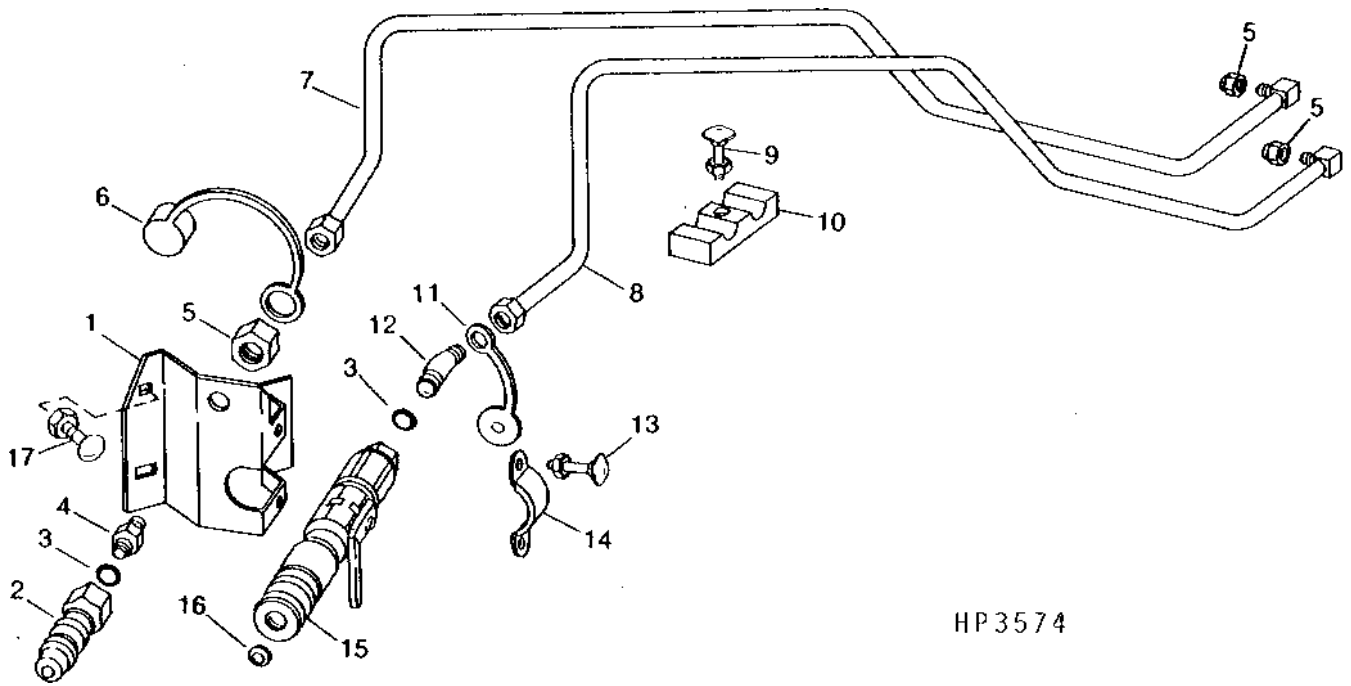
HYDRAULICS

REEL DRIVE LINES - (CONTINUED)
(920) (646301-656300)

KEY	PART NO.	PART NAME	QTY	SERIAL NO.	REMARKS
1	H128039	BRACKET	1		
2	AR94522	INTERNAL HALF COUPLER	1		
3	R26375	O-RING	2		16.358 X 2.210 MM (0.644" X 0.087")
4	H115890	UNION FITTING	1		
5	14H904	NUT	3		3/4"
6	A15898	CAP	1		
7	AH123485	OIL LINE	1		R.H. (PRESSURE)
8	AH123475	OIL LINE	1		R.H. (RETURN)
9	03H2163	BOLT	1	-635100	1/4" X 1-3/4"
	24H1685	WASHER	AR		11/32" X 47/64" X 0.083"
	03H1813	BOLT	1		1/4" X 1-3/4"
	H122207	FLANGE NUT	AR		6.350 MM (1/4") (SUB R40694)
10	H108245	CLAMP	1		(SUB H135156)
	H135156	CLAMP	2		
11	H125403	PLUG	1		
12	AT35599	ELBOW FITTING	1		
13	19H1948	CAP SCREW	2		1/4" X 3/4"
	N10217	LOCK NUT	2		6.350 MM (1/4") FLANGE
14	H117229	YOKE	1		
15	AH128241	HYD. QUICK-CONNECT COUPLER	1		
16	R21722	O-RING	1		20.218 X 3.531 MM (0.796" X 0.139")
17	03H1540	BOLT	3		5/16" X 3/4"
	A22698	NUT	3		7.925 MM (5/16") FLANGE

D20

REEL DRIVE LINES
(920) (656301-)
HP3574 -UN-01JAN94



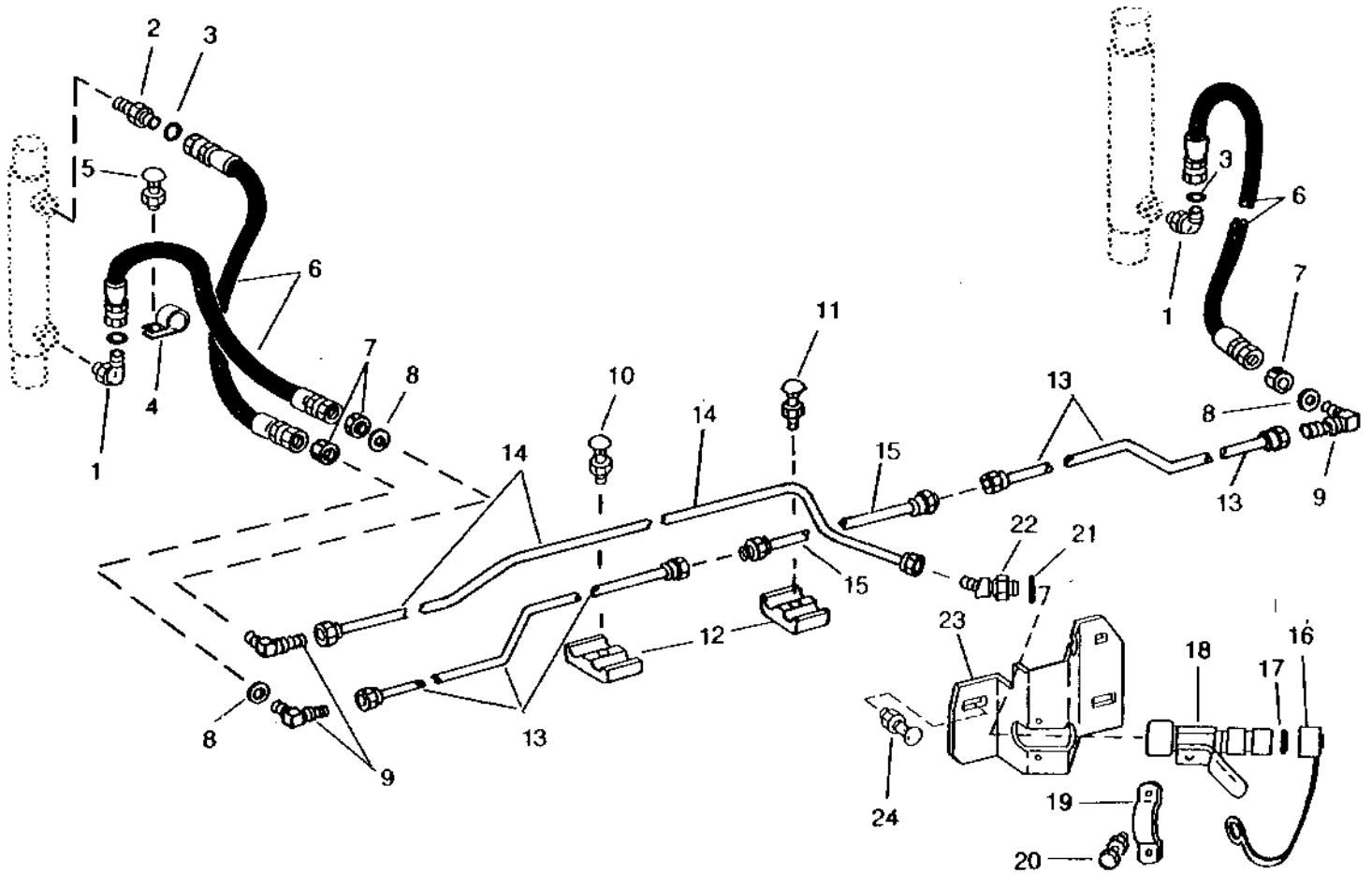
D21

HYDRAULICS

REEL DRIVE LINES - CONTINUED**(920) (656301-)**

KEY	PART NO.	PART NAME	QTY	SERIAL NO.	REMARKS
1	H128039	BRACKET	1		
2	AR94522	INTERNAL HALF COUPLER	1		
3	R26375	O-RING	2		16.358 X 2.210 MM (0.644" X 0.087")
4	H115890	UNION FITTING	1		
5	14H904	NUT	3		3/4"
6	A15898	CAP	1		
7	AH123485	OIL LINE	1		R.H. (PRESSURE)
8	AH123475	OIL LINE	1		R.H. (RETURN)
9	03M7280	BOLT	1		M6 X 45
	14M7303	FLANGE NUT	AR		M6 6.350 MM
10	H135156	CLAMP	2		
11	H125403	PLUG	1		
12	AT35599	ELBOW FITTING	1		
13	19M7862	SCREW	2		M6 X 20
	14M7303	FLANGE NUT	2		M6
14	H117229	YOKE	1		
15	AH128241	HYD. QUICK-CONNECT COUPLER	1		
16	R21722	O-RING	1		20.218 X 3.531 MM (0.796" X 0.139")
17	03M7184	BOLT	3		M8 X 20 RD HD
	14M7298	FLANGE NUT	3		M8

REEL LIFT LINES
918 (-635900)
HP5158 -UN-01JAN94



HP5158

D23

HYDRAULICS

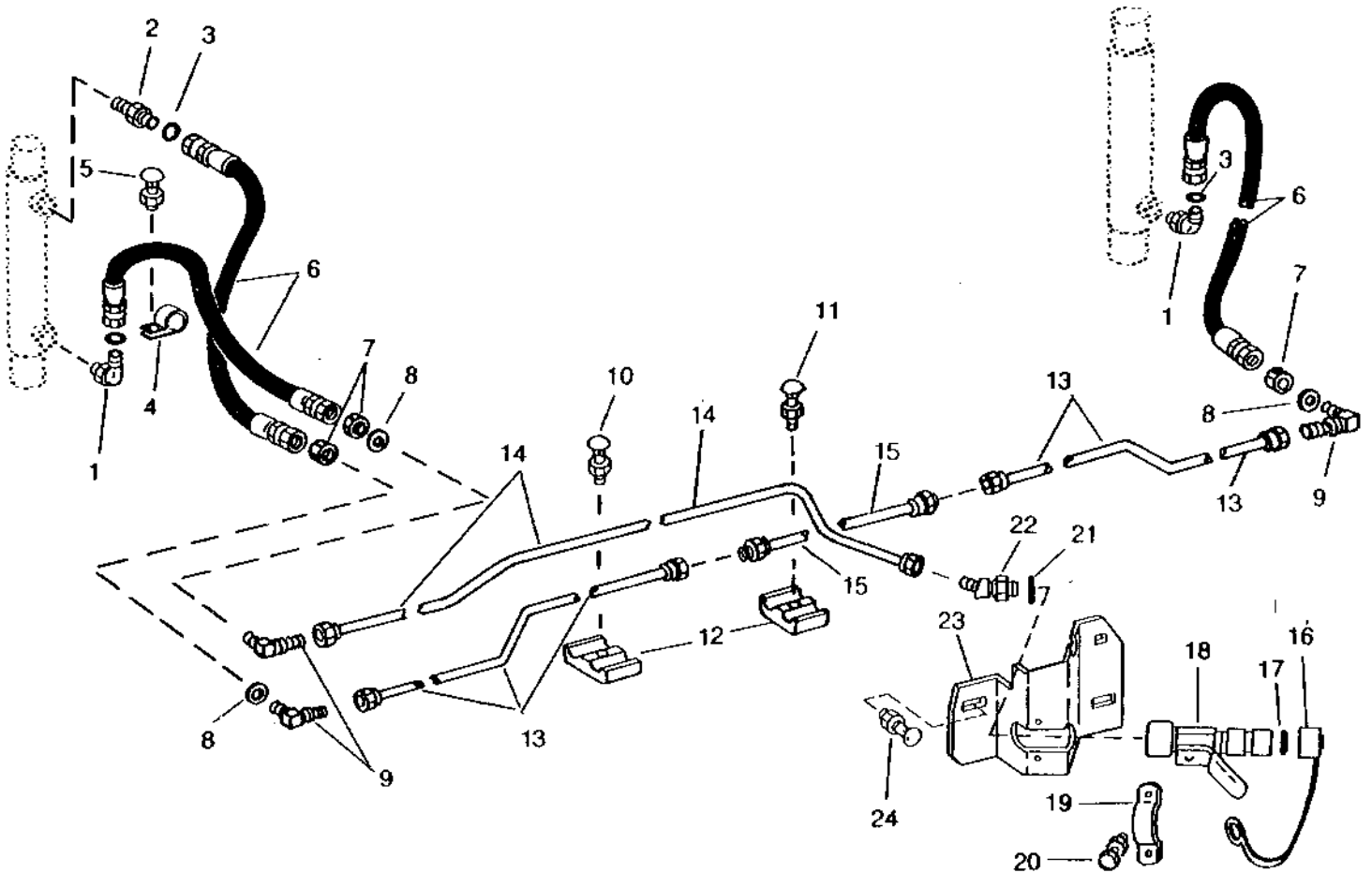
REEL LIFT LINES - CONTINUED
918 (-635900)

KEY	PART NO.	PART NAME	QTY	SERIAL NO.	REMARKS
1	AT35121	ELBOW FITTING	2		90°
2	R27212	FITTING	1		
3	R26448	O-RING	3		11.887 X 1.981 MM (0.468" X 5/64")
4	R46414	CLAMP	3		
5	03H1540	BOLT	2		5/16" X 3/4"
	N10213	LOCK NUT	2		7.925 MM (5/16")
6	AH120740	HYDRAULIC HOSE	3		9/16" X 1 360 MM (53-1/2") X 9/16" 6 MM X 787 MM (1/4" I.D. X 31") LONG
7	14H832	NUT	3		9/16"
8	24H1357	WASHER	3		19/32" X 1-5/32" X 0.090"
9	H75413	ELBOW FITTING	3		
10	03H1813	BOLT	2		1/4" X 1-3/4"
	H122207	FLANGE NUT	2		1/4", (SUB R40694)
11	03H1813	BOLT	2		1/4" X 1-3/4"
	H122207	FLANGE NUT	2		1/4"
12	H111752	CLAMP	8	-640100	(GREEN) (SUB H128515)
	H128515	CLAMP	8		(BLACK)
13	AH95993	LINE	AR		(1 USED, R.H.; 1 USED, L.H.)
14	AH123474	OIL LINE	1		
15	AH118653	OIL LINE	1		(MIDDLE, STRAIGHT)
16	H125403	PLUG	1		
17	R21722	O-RING	1		20.218 X 3.531 MM (0.796" X 0.139")
18	AH128241	HYD. QUICK-CONNECT COUPLER	1		
19	H117229	YOKE	1		
20	19H1948	CAP SCREW	2		1/4" X 3/4"
	N10217	LOCK NUT	2		6.350 MM (1/4") FLANGE
21	R26375	O-RING	1		16.358 X 2.210 MM (0.644" X 0.087")
22	AN113929	ELBOW FITTING	1		45°
23	H128040	BRACKET	1	-630810	
	H136892	BRACKET	1		
24	03H1540	BOLT	3	-630810	5/16" X 3/4"
	A22698	NUT	3	-630810	5/16"
	37M7066	SCREW	3		

D24

HYDRAULICS

REEL LIFT LINES
920 (646301-656300)
HP5158 -UN-01JAN94



HP5158

D25

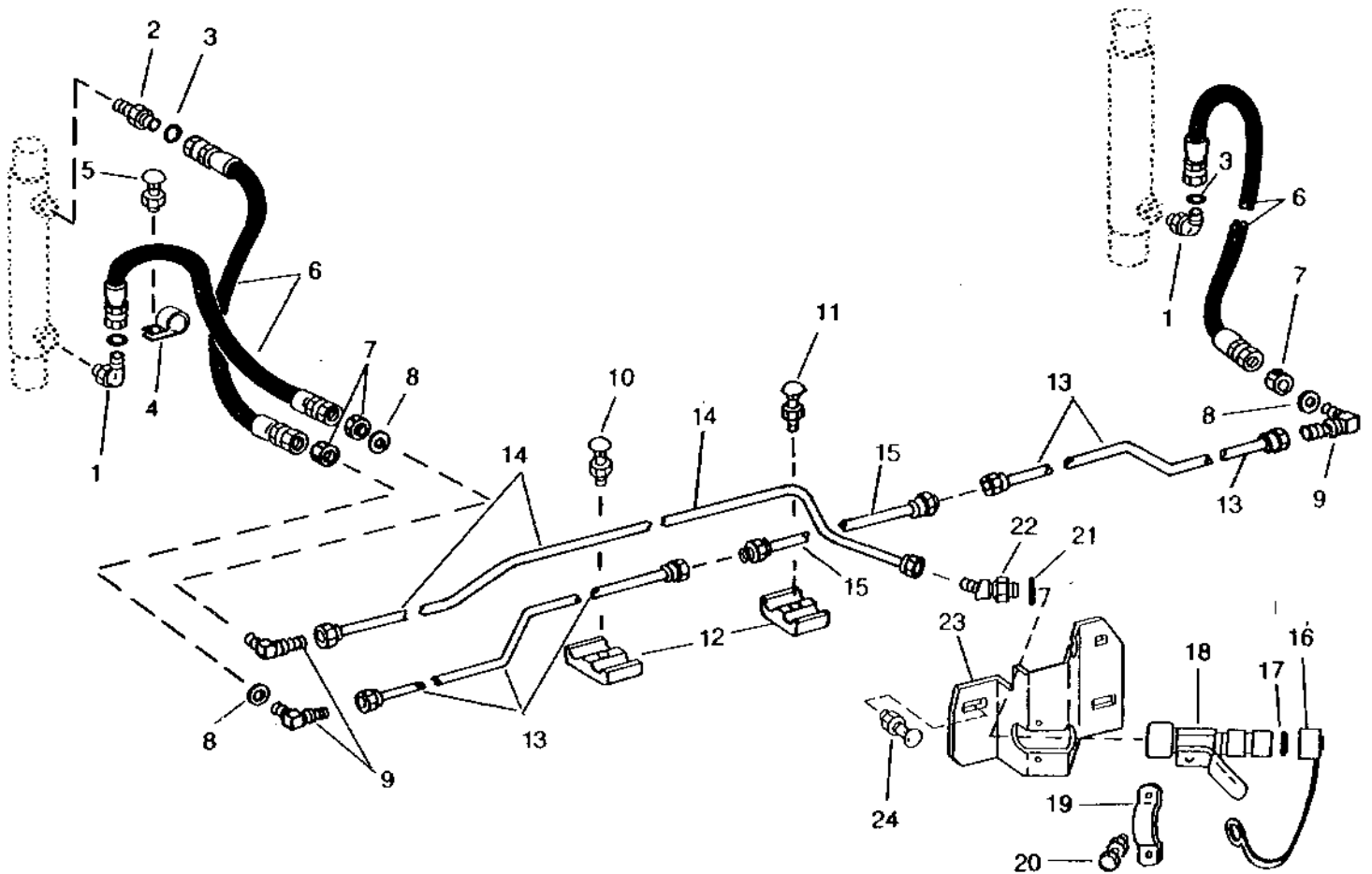
HYDRAULICS

REEL LIFT LINES - CONTINUED
920 (646301-656300)

KEY	PART NO.	PART NAME	QTY	SERIAL NO.	REMARKS
1	AT35121	ELBOW FITTING	2	90°	
2	R27212	FITTING	1		
3	R26448	O-RING	3	11.887 X 1.981 MM (0.468" X 5/64")	
4	R46414	CLAMP	3		
5	03H1540	BOLT	2	5/16" X 3/4"	
	N10213	LOCK NUT	2	7.925 MM (5/16")	
6	AH120740	HYDRAULIC HOSE	3	9/16" X 1 360 MM (53-1/2") X 9/16" FURNISHED BY SWECO	
7	14H832	NUT	3	9/16"	
8	24H1357	WASHER	3	19/32" X 1-5/32" X 0.090"	
9	H75413	ELBOW FITTING	3		
	R39783	FITTING	3		
10	03H1813	BOLT	2	1/4" X 1-3/4"	
	H122207	FLANGE NUT	2	1/4" (FLANGE) (SUB R40694)	
11	03H1813	BOLT	2	1/4" X 1-3/4"	
	H122207	FLANGE NUT	2	1/4" (FLANGE)	
12	H128515	CLAMP	8	(BLACK)	
13	AH95994	LINE	AR	(1 USED, R.H.; 1 USED, L.H.)	
14	AH123475	OIL LINE	1		
15	AH118653	OIL LINE	1	(MIDDLE, STRAIGHT)	
16	H125403	PLUG	1		
17	R21722	O-RING	1	20.218 X 3.531 MM (0.796" X 0.139")	
18	AH128241	HYD. QUICK-CONNECT COUPLER	1		
19	H117229	YOKE	1		
20	19H1948	CAP SCREW	2	1/4" X 3/4"	
	N10217	LOCK NUT	2	6.350 MM (1/4") FLANGE	
21	R26375	O-RING	1	16.358 X 2.210 MM (0.644" X 0.087")	
22	AN113929	ELBOW FITTING	1	45°	
23	H136892	BRACKET	1		
24	37M7066	SCREW	3		

E1

REEL LIFT LINES
920 (656301-)
HP5158 -UN-01JAN94



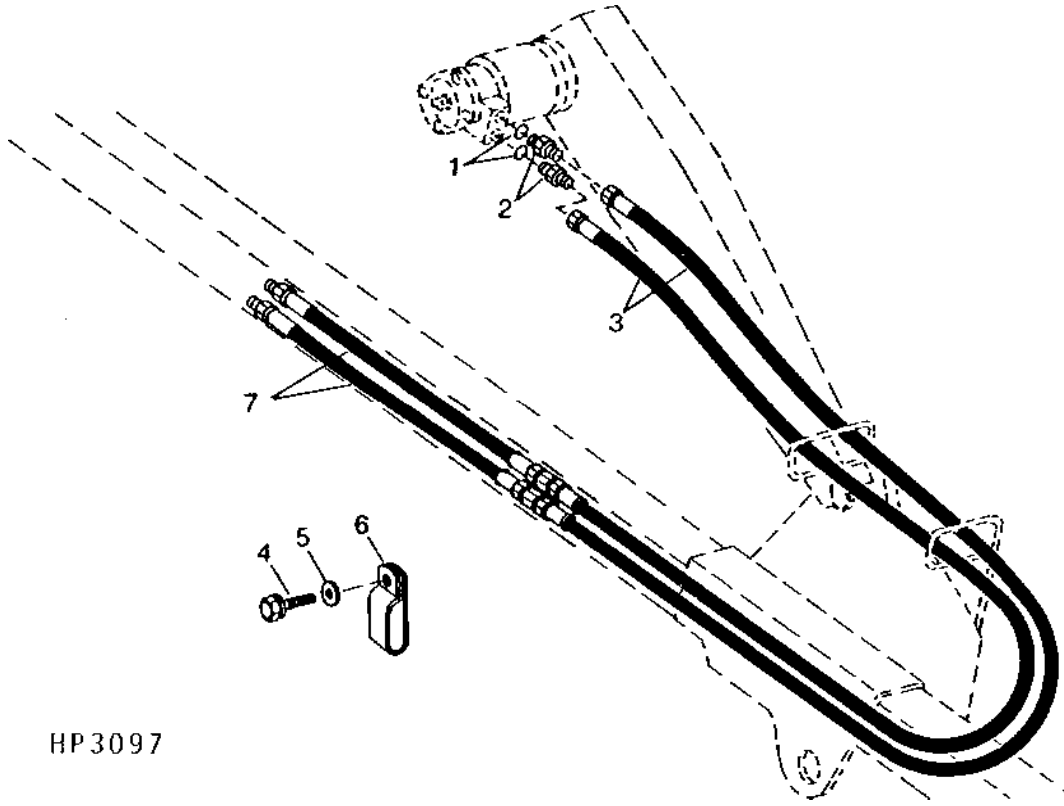
HP5158

REEL LIFT LINES - CONTINUED
920 (656301-)

KEY	PART NO.	PART NAME	QTY	SERIAL NO.	REMARKS
1	AT35121	ELBOW FITTING	2	90°	
2	R27212	FITTING	1		
3	R26448	O-RING	3	11.887 X 1.981 MM (0.468" X 5/64")	
4	R46414	CLAMP	3		
5	03M7184	BOLT	2	M8 X 20	
	14M7298	FLANGE NUT	2	M8	
6	AH120740	HYDRAULIC HOSE	3	9/16" X 1 360 MM (53-1/2") X 9/16" FURNISHED BY SWECO	
7	14H832	NUT	3	9/16"	
8	24H1357	WASHER	3	19/32" X 1-5/32" X 0.090"	
9	H75413	ELBOW FITTING	3		
	R39783	FITTING	3		
10	03H1813	BOLT	2	1/4" X 1-3/4"	
	H122207	FLANGE NUT	2	1/4" (FLANGE) (SUB R40694)	
11	03M7280	BOLT	2	M6 X 45	
	14M7303	FLANGE NUT	2	M6 (FLANGE)	
12	H128515	CLAMP	8	(BLACK)	
13	AH95994	LINE	AR	(1 USED, R.H.; 1 USED, L.H.)	
14	AH123475	OIL LINE	1		
15	AH118653	OIL LINE	1	(MIDDLE, STRAIGHT)	
16	H125403	PLUG	1		
17	R21722	O-RING	1	20.218 X 3.531 MM (0.796" X 0.139")	
18	AH128241	HYD. QUICK-CONNECT COUPLER	1		
19	H117229	YOKE	1		
20	19M7862	SCREW	2	M6 X 20	
	14M7303	FLANGE NUT	2	M6 FLANGE	
21	R26375	O-RING	1	16.358 X 2.210 MM (0.644" X 0.087")	
22	AN113929	ELBOW FITTING	1	45°	
23	H172176	BRACKET	1		
24	37M7066	SCREW	3		

HYDRAULIC DRIVE REEL HOSES, PICKUP REEL

918 (-635900)
 HP3097 -UN-01JAN94



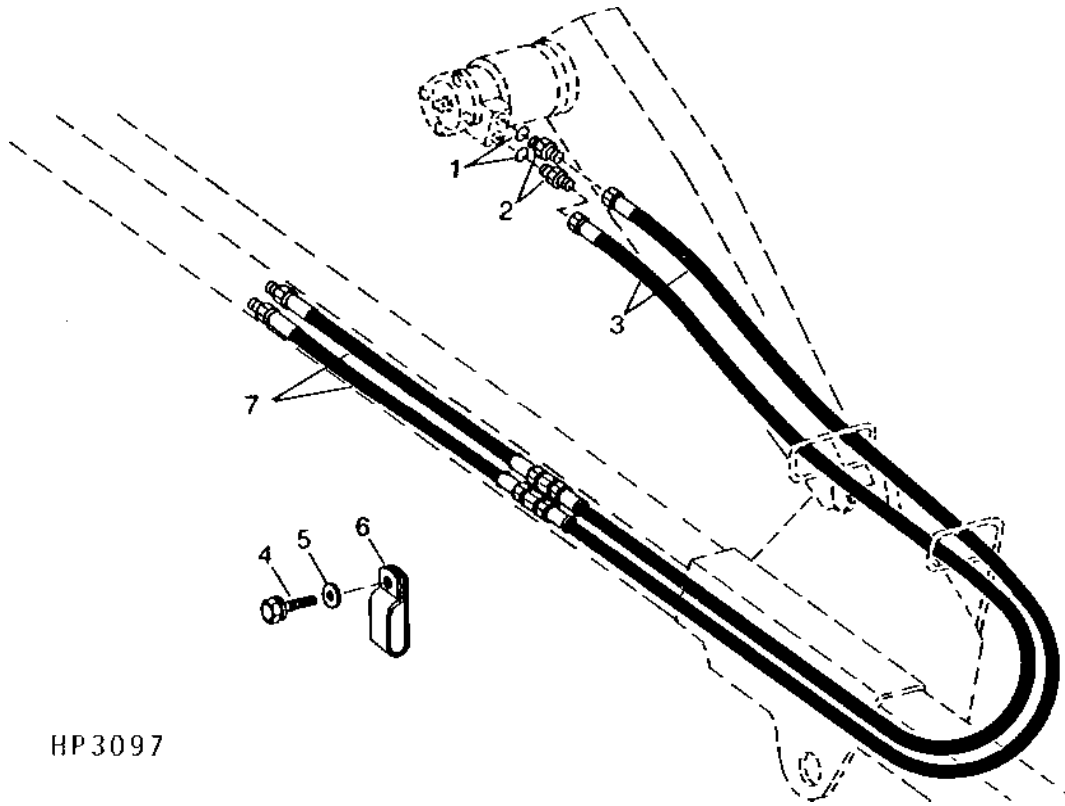
HP 3097

KEY	PART NO.	PART NAME	QTY	SERIAL NO.	REMARKS
1	R26906	O-RING	4		19.177 X 2.464 MM (0.755" X 0.097")
2	R27270	FITTING	4		STRAIGHT
3	AH117836	HYDRAULIC HOSE	4		3/4" X 2 540 MM (100") X 7/8"
4	H65108	SCREW	2		7.938 X 12.700 MM (5/16" X 1/2") SELF-TAPPING
5	24H1136	WASHER	2		11/32" X 11/16" X 0.060"
6	AH77869	CLIP	2		
7	AN131672	HYDRAULIC HOSE	4		3/4" X 864 MM (34") X 3/4"

BH79870 (COMPLETE GOODS) PARTS ASSEMBLY - BAG OF

HYDRAULIC DRIVE REEL HOSES, PICKUP REEL

920 (646301-)
 HP3097 -UN-01JAN94



HP 3097

KEY	PART NO.	PART NAME	QTY	SERIAL NO.	REMARKS
1	R26906	O-RING	4		19.177 X 2.464 MM (0.755" X 0.097")
2	R27270	FITTING	4		STRAIGHT
3	AH117836	HYDRAULIC HOSE	4		3/4" X 2 540 MM (100") X 7/8"
4	H65108	SCREW	2		7.938 X 12.700 MM (5/16" X 1/2")
	H78354	SCREW	2		SELF-TAPPING, (SUB H78354) 7.938 X 14.224 MM (5/16" X 0.560")
5	24H1136	WASHER	2		11/32" X 11/16" X 0.065"
6	AH77869	CLIP	2		
7	AN131672	HYDRAULIC HOSE	4		3/4" X 864 MM (34") X 3/4"

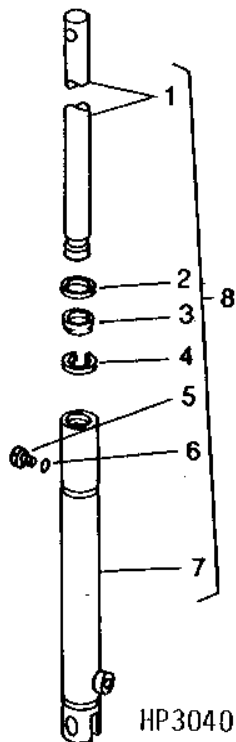
BH79870 (COMPLETE GOODS) PARTS ASSEMBLY - BAG OF

REEL LIFT SLAVE CYLINDER

918 (-635900)

920 (646301-)

HP3040 -UN-01JAN94

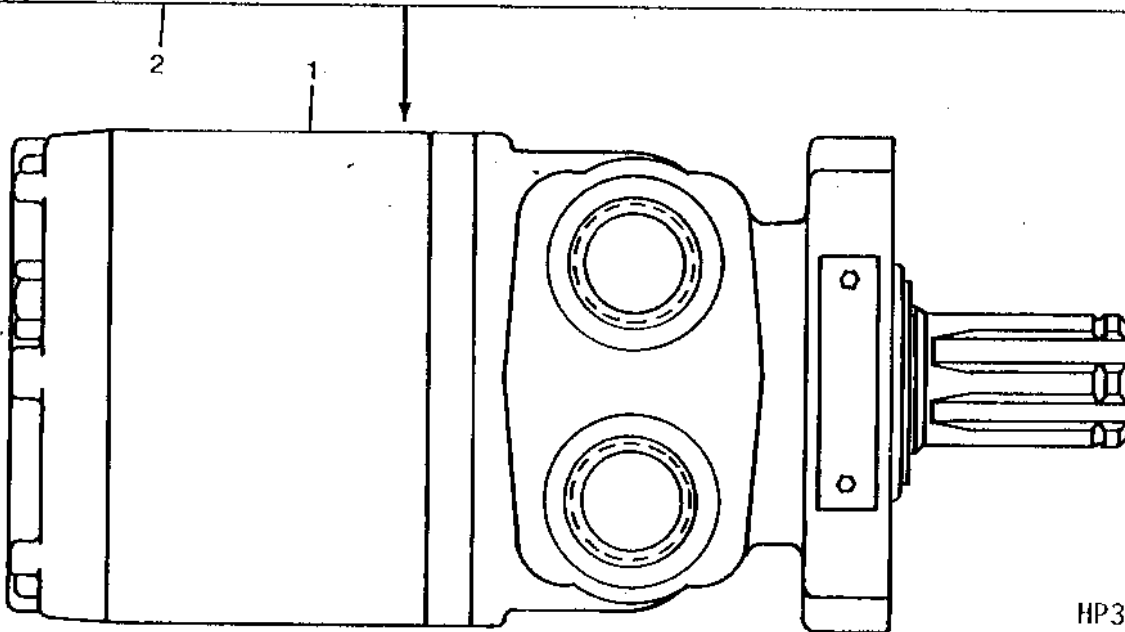
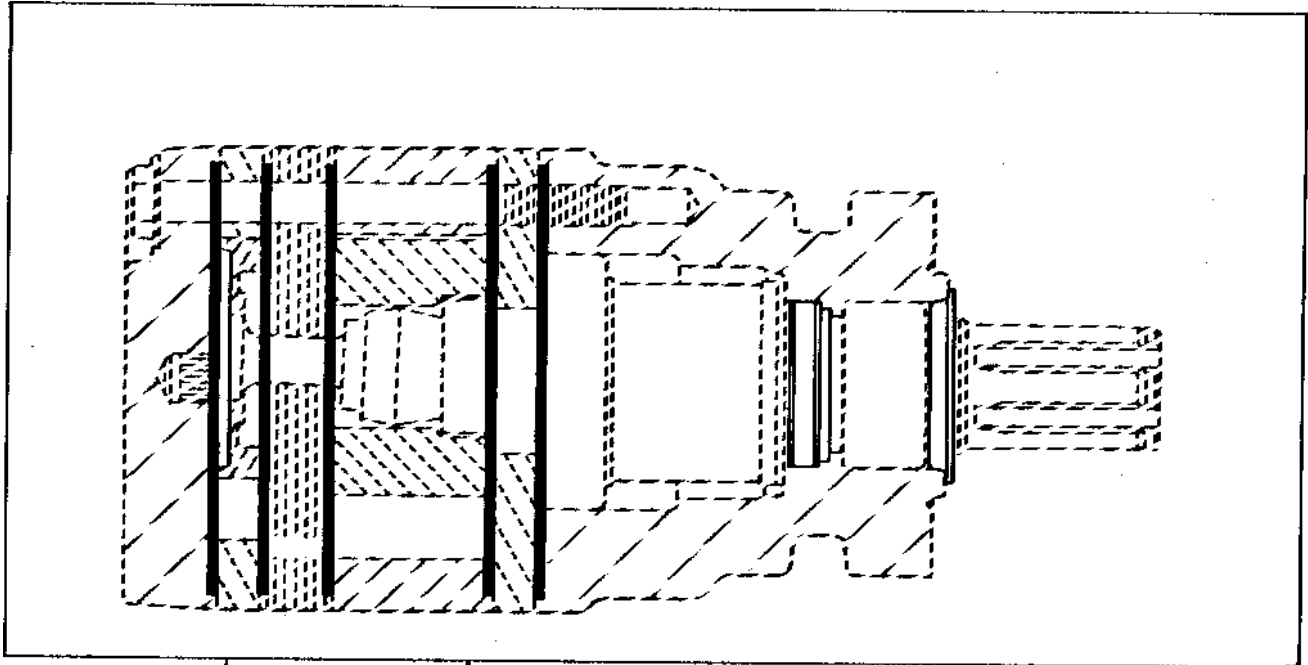


KEY	PART NO.	PART NAME	QTY	SERIAL NO.	REMARKS
1	PISTON	1		
2	AH20841	SEAL	1	(A) (SUB AH87267)	
3	AH87264	SEAL	1	(A) (SUB AH87267)	
4	H35246	SNAP RING	1	(A) (SUB AH87267)	
5	H35248	SCREW	1	(A) 4.826 X 5.944 MM (0.190" X 15/64") (SUB AH87267)	
6	H35247	WASHER	1	(A) (SUB AH87267)	
7	HYDRAULIC CYLINDER BARREL	1	(ORDER AH120122)	
8	AH120122	HYDRAULIC CYLINDER	1		
KIT LISTED BELOW CONSISTS OF ALL PARTS IDENTIFIED WITH AN (A)					
..	AH87267	KIT	1		SEAL REPAIR

MEMORANDA

E6

REEL MOTOR (ROSS NO. K85921)
(-655582)
HP3110 -UN-01JAN94



HP3110

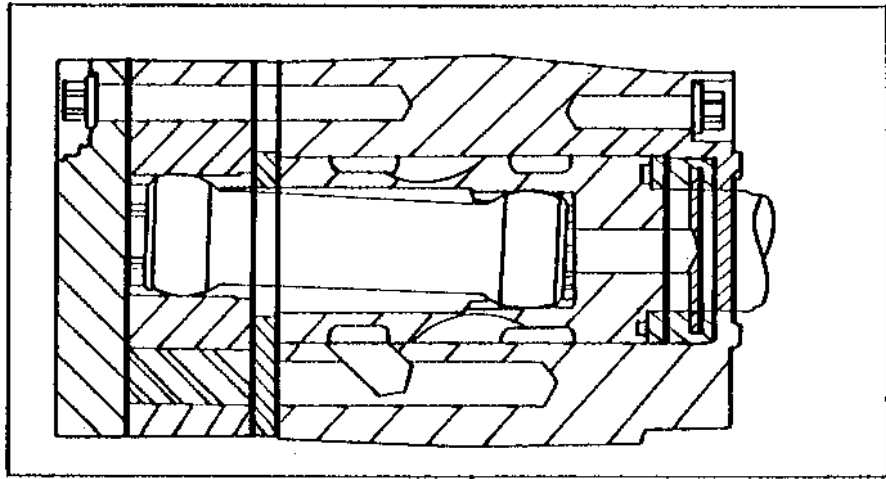
E7

HYDRAULICS

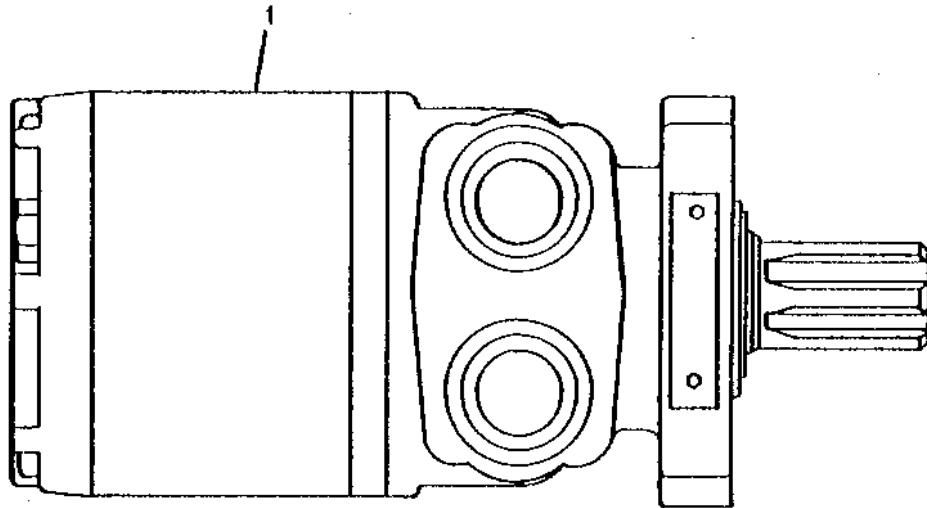
REEL MOTOR (ROSS NO. K85921) - CONTINUED
(-655582)

KEY	PART NO.	PART NAME	QTY	SERIAL NO.	REMARKS
1	AH127293	MOTOR	1		
2	AH131089	SEAL KIT	1		

REEL MOTOR (EATON)
(655583-)
HP5700 -UN-01JAN94



2



1

HP5700

E9

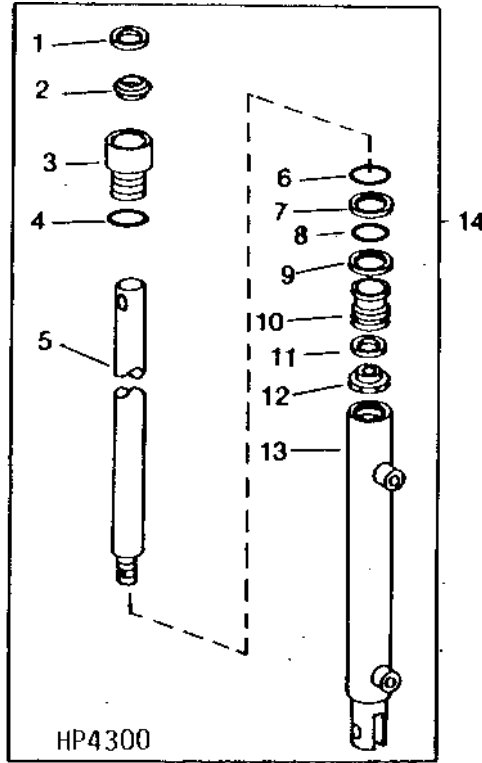
HYDRAULICS

REEL MOTOR (EATON) - CONTINUED
(655583-)

KEY	PART NO.	PART NAME	QTY	SERIAL NO.	REMARKS
1	AH141859	HYDRAULIC MOTOR	1		9.6 IN. DISPLACEMENT
2	AH144831	SEAL KIT	1		

E10

REEL LIFT MASTER CYLINDER
HP4300 -UN-01JAN94



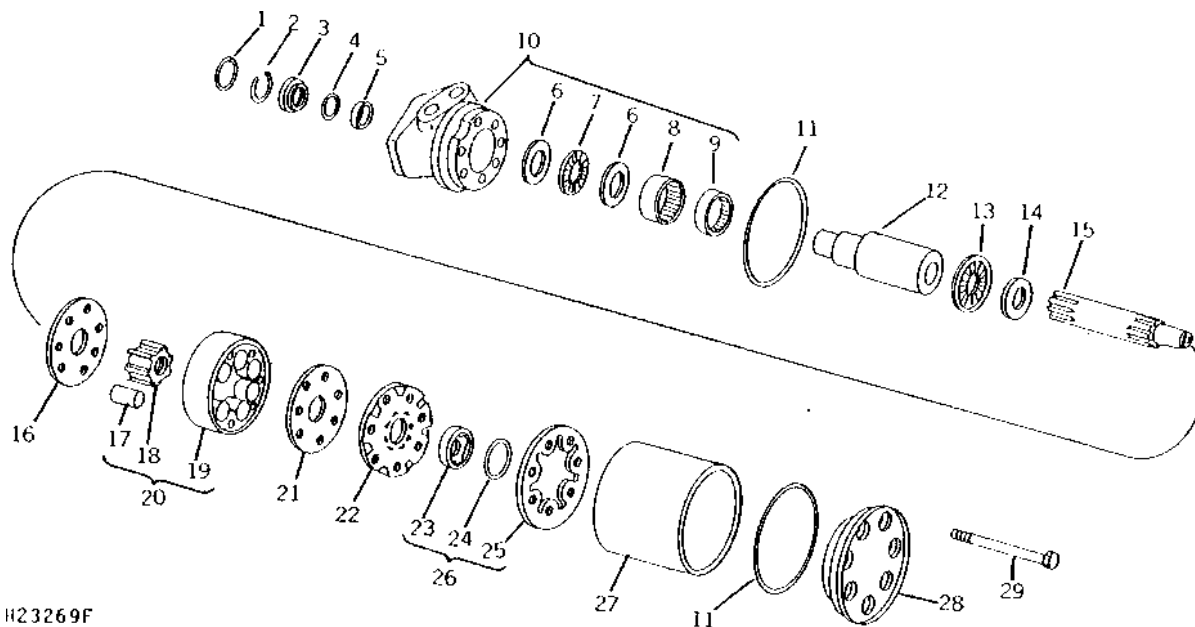
KEY	PART NO.	PART NAME	QTY	SERIAL NO.	REMARKS
1	AP26337	SEAL	1	-635900	(A) (SUB AH135857)
2	AH87265	SEAL	1	-635900	(A) (SUB AH135857)
3	H95086	BEARING	1	-635900	(SUB AH93323)
4	H35256	RING	1	-635900	(A) (SUB AH135857)
5	H80631	ROD	1	-635900	(SUB AH93323)
6	U11326	O-RING	1	-635900	(A) 28.296 X 1.778 MM (1.114" X 0.070")
7	H63859	PISTON RING	1	-635900	(A) (SUB AH135857)
8	H63858	O-RING	1	-635900	(A) 31.471 X 1.778 MM (1.239" X 0.070") (SUB AH135857)
9	RING	1	-635900	(A)
10	H63856	PISTON	1	-635900	(SUB AH93323)
11	E51350	WASHER	1	-635900	19.558 X 28.702 X 1.219 MM (0.770" X 1.130" X 0.048")
12	H63860	LOCK NUT	1	-635900	19.050 MM (3/4") (SUB AH93323)
13	HYDRAULIC CYLINDER BARREL	1	-635900	(ORDER AH134311)
14	AH120121	CYLINDER	1	-635900	(SUB AH134311)
	AH135030	CYLINDER	1	-635900	(SUB AH134311)
	AH134311	CYLINDER	1	-635900	(SUB AH134311)
KIT LISTED BELOW CONSISTS OF ALL PARTS IDENTIFIED BY AN (A)					
..	AH87266	KIT	1	-635900	(SEAL REPAIR) (SUB AH135857)
..	AH135857	KIT	1	-635900	(SEAL REPAIR)

E11

HYDRAULICS

HYDROSTATIC DRIVE REEL HYDRAULIC MOTOR

H23269F -UN-01JAN94



H23269F

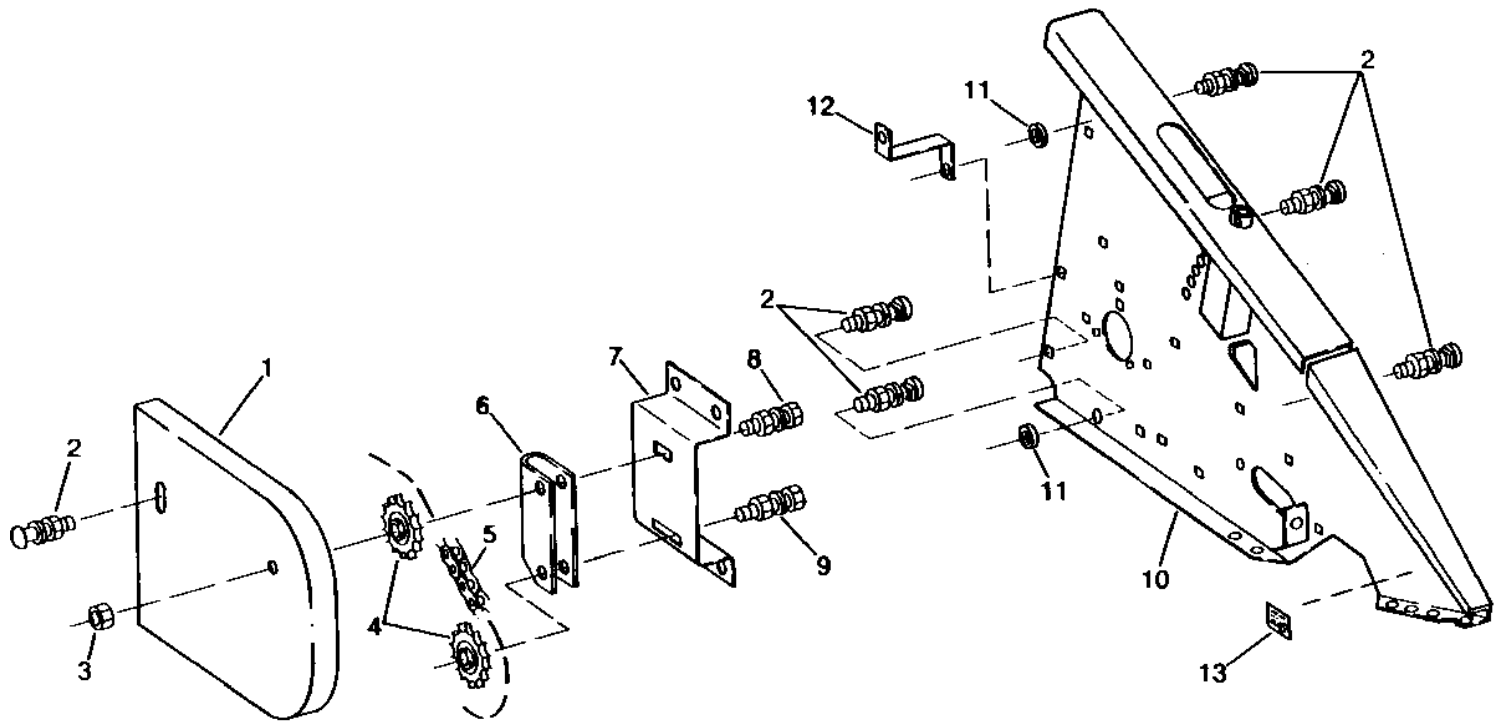
KEY	PART NO.	PART NAME	QTY	SERIAL NO.	REMARKS
1	SEAL	1	(A)	
2	RING	1	(A)	
3	SPACER	1	(A)	
4	H85803	WASHER	1	(A)	
5	SEAL	1	(A)	
6	H85794	WASHER	2	-635800	31.750 X 55.296 X 2.413 MM (1-1/4" X 2.177" X 0.095") THRUST, (SUB AH83835)
7	AH86808	THRUST BEARING	1	-635800	(SUB AH83835)
8	AH86809	NEEDLE BEARING	1	-635800	(SUB AH83835)
9	JD8870	NEEDLE BEARING	1	-635800	(SUB AH83835)
10	AH86807	HOUSING	1	-635800	(SUB AH83835)
11	H85800	WASHER	2	-635800	(A) 107.544 X 114.351 X 4.724 MM (4-15/64" X 4.502" X 0.186") (SUB AH83836)
12	H85795	SHAFT	1	-635800	(SUB AH83835)
13	JD8841	THRUST BEARING	1		
14	H80419	BEARING RACE	1		
15	H85796	LINK	1	-635800	(SUB AH83835)
16	H85797	PLATE	1	-635900	WEAR (NO LONGER AVAILABLE)
17	VANE	1		(ORDER AH83835)
18	ROTOR	1		(ORDER AH83835)
19	STATOR	1		(ORDER AH83835) (INCLUDES RING)
20	AH86810	ROTOR	1	-635800	(SUB AH83835)
21	AH103809	PLATE	1		
22	H85798	MANIFOLD	1		
23	SWITCH	1		(ORDER AH83835) COMMUTATOR
24	H85806	RING	1	-635800	(A) (SUB AH83836)
25	RING	1		(ORDER AH83835) COMMUTATOR
26	AH86813	COMMUTATOR HOUSING	1	-635800	(SUB AH83835)
27	H85801	BUSHING	1	-635800	(SUB AH83835)
28	AH86814	COVER	1	-635800	(SUB AH83835)
29	H85807	BOLT	7	-635800	9.525 X 98.425 MM (3/8" X 3-7/8") SPECIAL, UNF, (SUB AH83835)
..	AH83835	HYDRAULIC MOTOR	2		(REMANUFACTURED)
(A)	KIT LISTED BELOW CONSISTS OF ALL PARTS FOLLOWED BY AN (A)				
..	AH83836	KIT	1		KIT, SEAL

E12

HYDRAULICS

DRAPER DRIVE TIGHTENER

918 (-635900)
HP3031 -UN-01JAN94



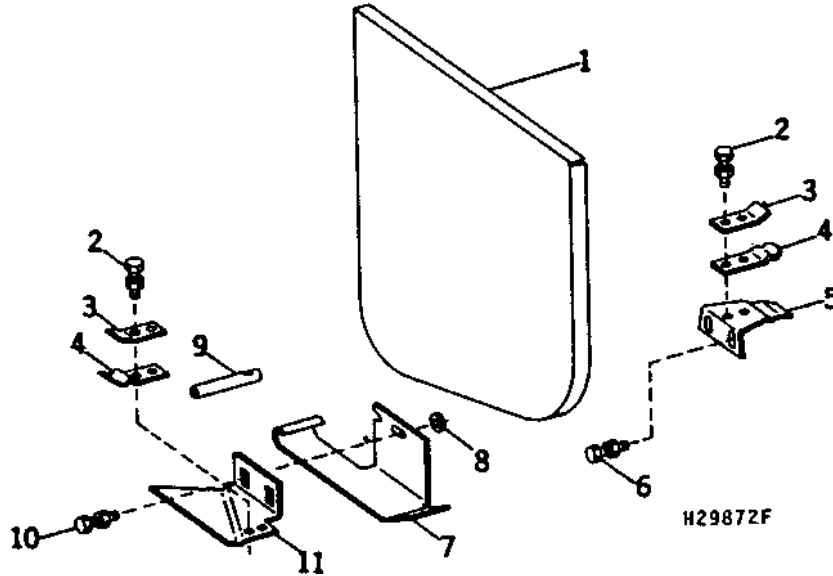
HP 3031

KEY	PART NO.	PART NAME	QTY	SERIAL NO.	REMARKS
1	AH92488	SHIELD	1		
2	03H1500	BOLT	13	3/8" X 1"	
	12H304	LOCK WASHER	13	3/8"	
	14H812	NUT	13	3/8"	
3	14H821	NUT	1	5/8"	
4	AH76970	CHAIN SPROCKET	2	17 TEETH	
5	AH96674	LINK CHAIN	1	ROLLER, DRIVE, TYPE 50, 5/8" PITCH, 134 LINKS	
6	H98783	SUPPORT	1		
7	H93140	BRACKET	1		
8	03H2073	BOLT	1	5/8" X 2-3/4"	
	12H294	LOCK WASHER	1	5/8"	
	14H1039	NUT	1	5/8"	
9	03H1629	BOLT	1	5/8" X 2-1/4"	
	12H294	LOCK WASHER	1	5/8"	
	14H1039	NUT	1	5/8"	
10	AH120741	CROP DIVIDER	1	(R.H.)	
	AH120742	CROP DIVIDER	1	(L.H.)	
	24H1305	WASHER	10	13/32" X 13/16" X 0.065"	
11	H93139	BRACKET	1		
12	H93139	BRACKET	1		
13	H132865	DECAL	1	L.H. CROP DIVIDER	

E14

SHIELDS

SHIELD
 918 (-635100)
 H29872F -UN-01JAN94



KEY	PART NO.	PART NAME	QTY	SERIAL NO.	REMARKS
1	AH113432	SHIELD	1	(L.H.)	
	AH92487	SHIELD	1	(R.H.)	
2	21H1226	SCREW	4	5/16" X 7/8"	
	N10213	LOCK NUT	4	7.925 MM (5/16")	
3	H92618	REINFORCEMENT	2		
4	H78884	LATCH	2		
5	H89114	SUPPORT	1	(R.H.)	
6	03H1765	BOLT	2	3/8" X 3/4"	
	E55662	FLANGE NUT	2	9.525 MM (3/8")	
7	H132654	RUNNER	1	(L.H.)	
	H96312	SHOE	1	(R.H.)	
8	24H1308	WASHER	4	13/32" X 1" X 0.134"	
9	H92469	PIN	1	31.750 X 289.560 MM (1-1/4" X 11.400") L.H.	
	H96313	PIN	1	31.750 X 257.556 MM (1-1/4" X 10.140") R.H.	
10	03H1557	BOLT	2	3/8" X 1-1/4"	
	12H304	LOCK WASHER	2	3/8"	
	14H812	NUT	2	3/8"	
11	H89115	SUPPORT	1	(L.H.)	

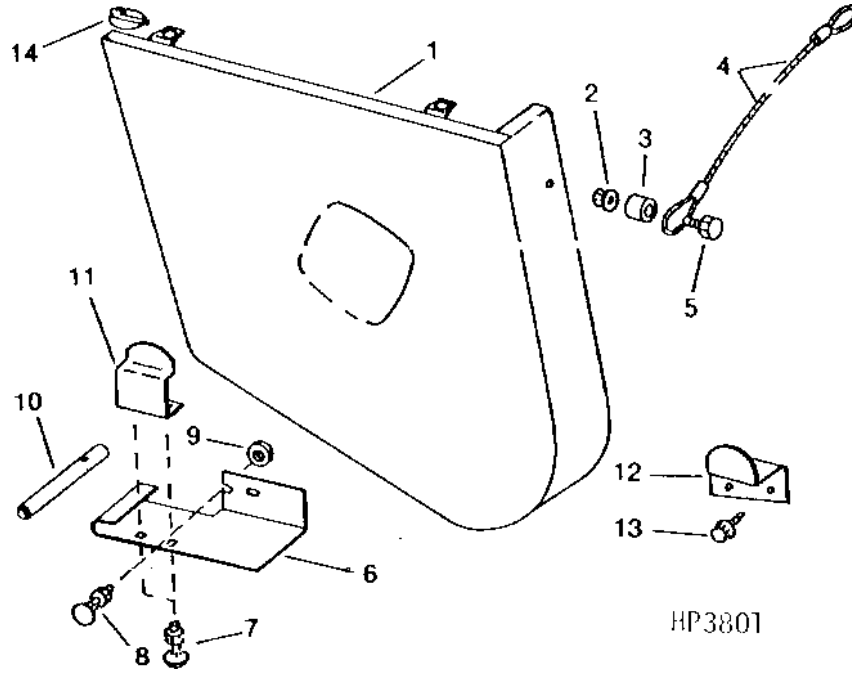
E15

SIELDS

END SHIELD AND MOUNTING

918 (635101-635900)

HP3801 -UN-01JAN94



KEY	PART NO.	PART NAME	QTY	SERIAL NO.	REMARKS
1	AH129262	SHIELD	1	L.H.	
	AH129287	SHIELD	1	R.H.	
2	A22698	NUT	2	5/16"	
3	M48770	SPACER	4		
4	AH134121	CABLE	2		
5	19H1900	CAP SCREW	2	5/16" X 3/4" L.H.	
	19H1731	CAP SCREW	2	3/8" X 1" R.H.	
6	H134841	RUNNER	1	L.H.	
	H96312	SHOE	1	R.H.	
7	03H1500	BOLT	2	3/8" X 1" L.H.	
	E55662	FLANGE NUT	2	9.525 MM (3/8") R.H.	
8	03H1557	BOLT	2	3/8" X 1-1/4"	
	E55662	FLANGE NUT	2	3/8"	
9	24H1308	WASHER	2	13/32" X 1" X 0.134", L.H.	
	24H1307	WASHER	2	13/32" X 1" X 1/16", R.H.	
10	H92469	PIN	1	31.750 X 289.560 MM (1-1/4" X 11.400") (L.H. TILT)	
11	H135183	BRACKET	1	L.H.	
12	H136256	BRACKET	1	R.H.	
13	H88188	SCREW	2	9.525 X 25.400 MM (3/8" X 1")	
14	M72598	QUICK LOCK PIN	4		

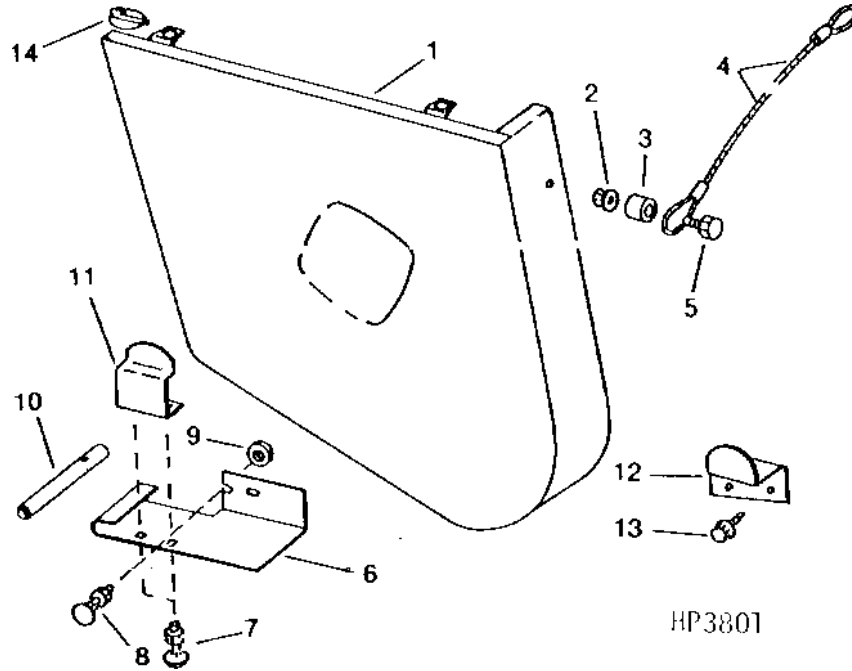
E16

SIELDS

END SHIELD AND MOUNTING

920 (646301-656300)

HP3801 -UN-01JAN94



HP3801

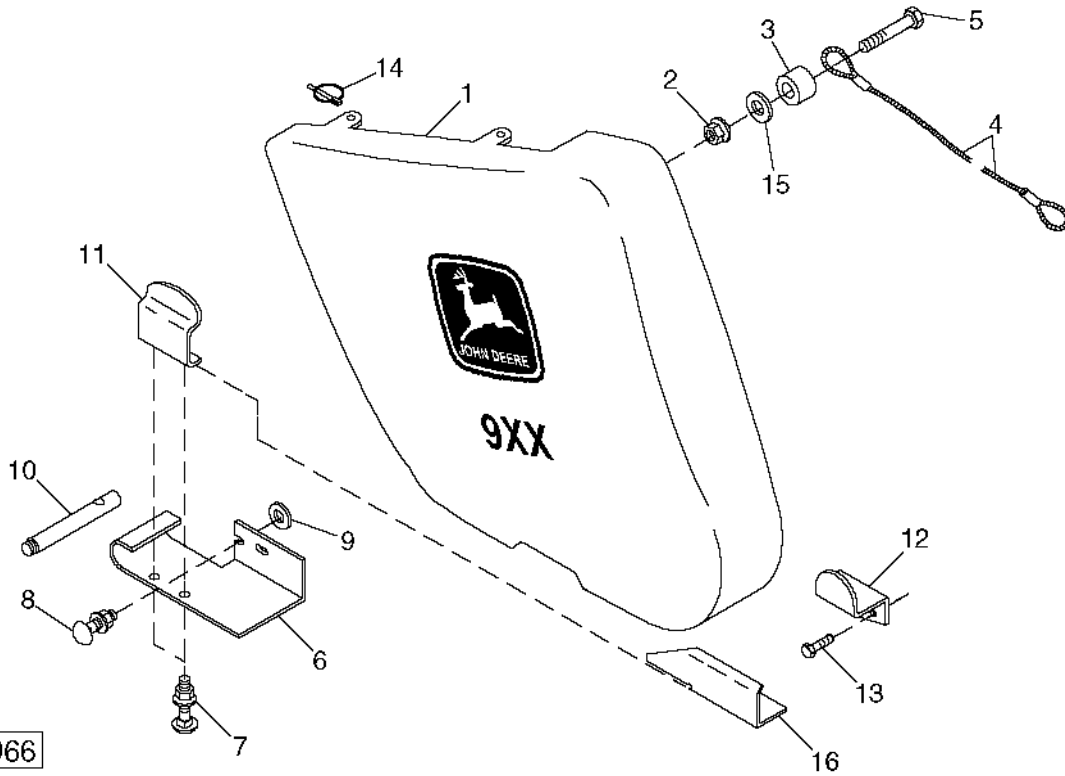
KEY	PART NO.	PART NAME	QTY	SERIAL NO.	REMARKS
1	SHIELD	1		L.H. (SHIELD PROVIDED BY SWECO)
	SHIELD	1		R.H. (SHIELD PROVIDED BY SWECO)
2	A22698	NUT	2		5/16"
3	M48770	SPACER	4		
4	AH134121	CABLE	2		
5	19H1900	CAP SCREW	2		5/16" X 3/4" L.H.
	19H1731	CAP SCREW	2		3/8" X 1" R.H.
6	H134841	RUNNER	1		L.H.
	H96312	SHOE	1		R.H.
7	03H1500	BOLT	2		3/8" X 1" L.H.
	E55662	FLANGE NUT	2		9.525 MM (3/8") R.H.
8	03H1557	BOLT	2		3/8" X 1-1/4"
	E55662	FLANGE NUT	2		3/8"
9	24H1308	WASHER	2		13/32" X 1" X 0.134", L.H.
	24H1307	WASHER	2		13/32" X 1" X 1/16", R.H.
10	H92469	PIN	1		31.750 X 289.560 MM (1-1/4" X 11.400") (L.H. TILT)
11	H135183	BRACKET	1		L.H.
12	H136048	BRACKET	1		R.H.
13	H88188	SCREW	2		9.525 X 25.400 MM (3/8" X 1")
14	M72598	QUICK LOCK PIN	4		

E17

SIELDS

END SHIELD AND MOUNTING

920 (656301-)
HP8966 -UN-30AUG99



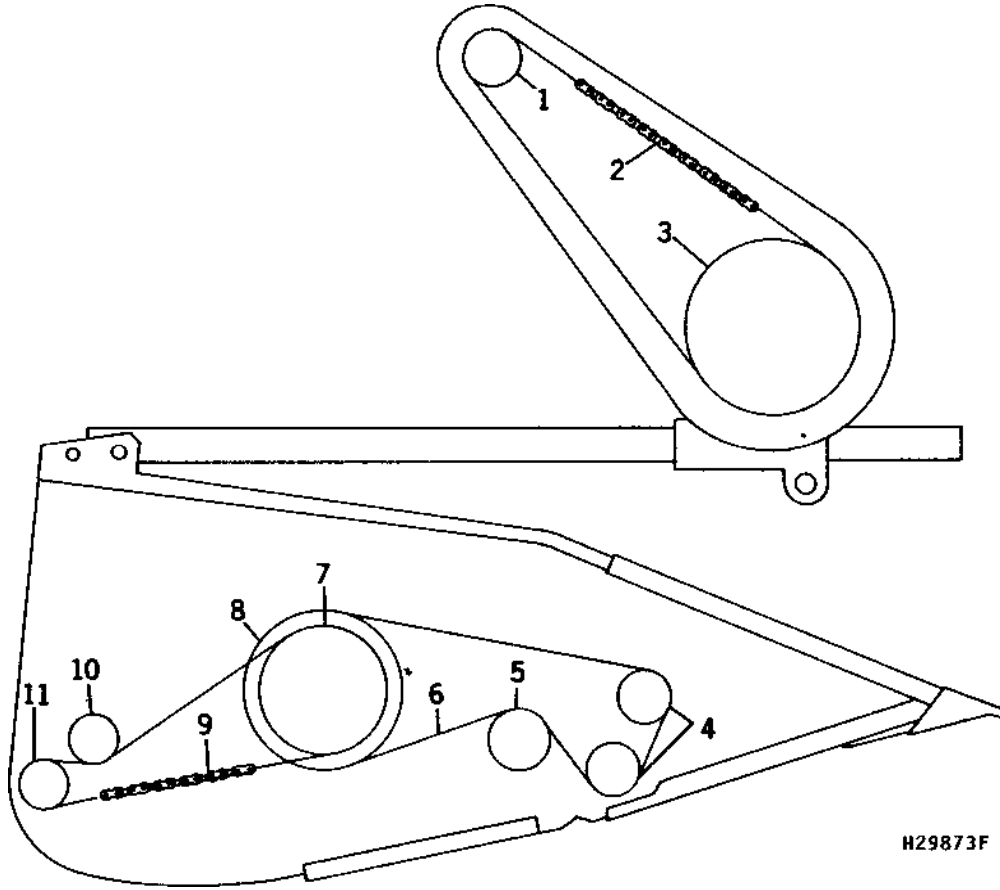
KEY	PART NO.	PART NAME	QTY	SERIAL NO.	REMARKS
1	SHIELD	1	-671300	L.H. (SUPPLIED BY SWECO)
	SHIELD	1	-671300	R.H. (SUPPLIED BY SWECO)
	H169441	SHIELD	1	671301-	R.H.
	H169442	SHIELD	1	671301-	L.H.
2	14M7296	FLANGE NUT	1	655000-	M10
3	M93897	BUSHING	4	655000-	
4	AH134121	CABLE	2		
5	19M7786	SCREW	2		M10 X 30, L.H.
	19M7785	SCREW	1		M10 X 25 R.H. THRU ENDSHEET
6	H134841	RUNNER	2	-671300	
	H160737	BRACKET	2	671301-	
7	03M7191	BOLT	2		M10 X 25, L.H.
	14M7296	FLANGE NUT	2		M10
8	03M7194	BOLT	3	-650100	M10 X 40
	03M7194	BOLT	2	650101-	M10 X 40
	14M7296	FLANGE NUT	3		M10
9	24H1308	WASHER	2		13/32" X 1" X 0.134" L.H.
	24H1307	WASHER	1		13/32" X 1" X 1/16" R.H.
10	H92469	PIN	1		31.750 X 289.560 MM (1-1/4" X 11.400") (L.H. TILT)
11	H135183	BRACKET	1	-671300	L.H.
	H160736	BRACKET	1	671301-	
12	H136048	BRACKET	1	635101-670100	R.H. (RIGID)
	H160933	BRACKET	1	670101-	
13	37M7087	SCREW	2		M10 X 25, SELF-TAP
14	M72598	QUICK LOCK PIN	4	635101-	
15	24H1308	WASHER	2		13/32" X 1" X 0.134"
16	H151795	SHIELD	1	-671300	
	H160735	BRACKET	1	671301-	

E19

BELTS, CHAINS, SHEAVES, SPROCKETS, AND DECALS

DRIVE CHAINS, SPROCKETS, AND TIGHTENERS ON RIGHT-HAND SIDE

918 (-635900)
H29873F -UN-01JAN94



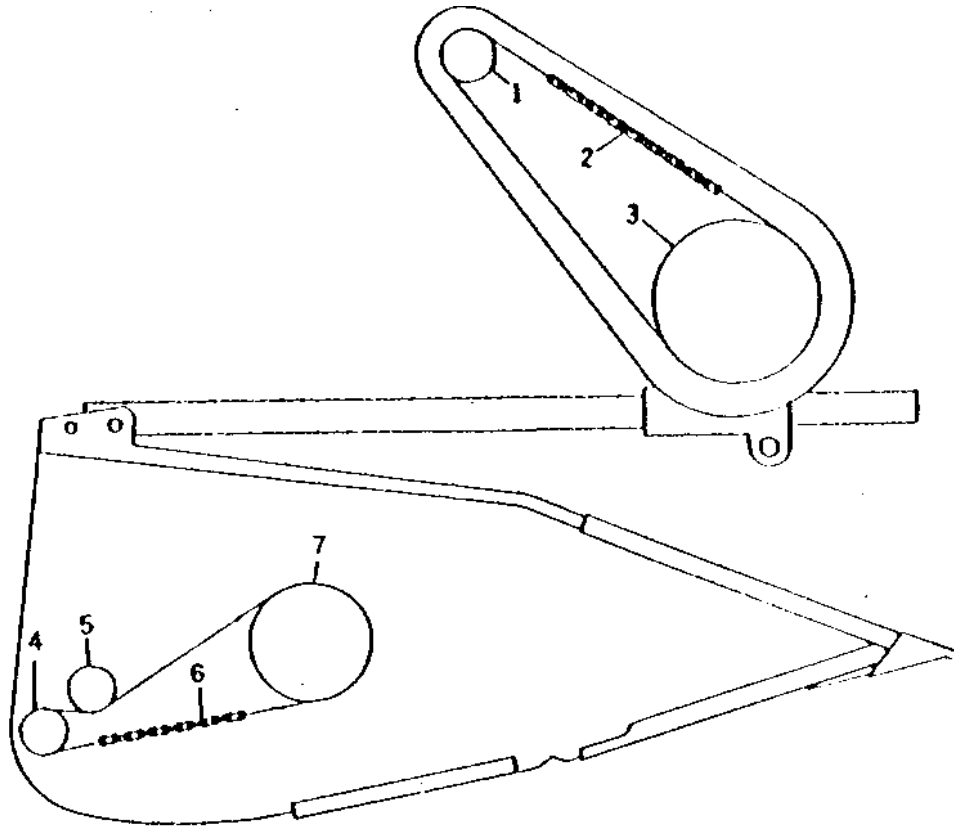
KEY	PART NO.	PART NAME	QTY	SERIAL NO.	REMARKS
1	AH96655	CHAIN SPROCKET	2		13 TEETH, PICKUP REEL
2	AH96647	LINK CHAIN	2		ROLLER, DRIVE, TYPE 50, 5/8" PITCH, 164 LINKS
3	AH88831	CHAIN SPROCKET	2		81 TEETH, DRIVEN
4	AH76970	CHAIN SPROCKET	2		17 TEETH, IDLER
5	H78707	CHAIN SPROCKET	1		26 TEETH, DRIVEN
6	AH96674	LINK CHAIN	1		ROLLER, DRIVE, TYPE 50, 5/8" PITCH, 134 LINKS
7	AH97016	CHAIN SPROCKET	1	-635100	40 TEETH, DRIVE
	AH129328	CHAIN SPROCKET	1	635101-	40 TEETH, DRIVE
8	H98513	CHAIN SPROCKET	1		60 TEETH, DRIVE
9	LINK CHAIN	1		ROLLER, DRIVE, TYPE 60, 3/4" PITCH, 87 LINKS
10	AH20443	CHAIN SPROCKET	1	-635100	15 TEETH, TIGHTENER
	AH89429	CHAIN SPROCKET	1	635101-	15 TEETH, TIGHTENER
11	AH87945	CHAIN SPROCKET	1	-635100	13 TEETH, DRIVE
	AH130579	CHAIN SPROCKET	1	635101-635800	13 TEETH, DRIVE, (SUB AH138180)
	AH138180	CHAIN SPROCKET	1		13 TEETH, DRIVE

E20

BELTS, CHAINS, SHEAVES, SPROCKETS, AND DECALS

DRIVE CHAINS, SPROCKETS, AND TIGHTENERS ON RIGHT-HAND SIDE

920 (646301-)
 HP5161 -UN-01JAN94



HP5161

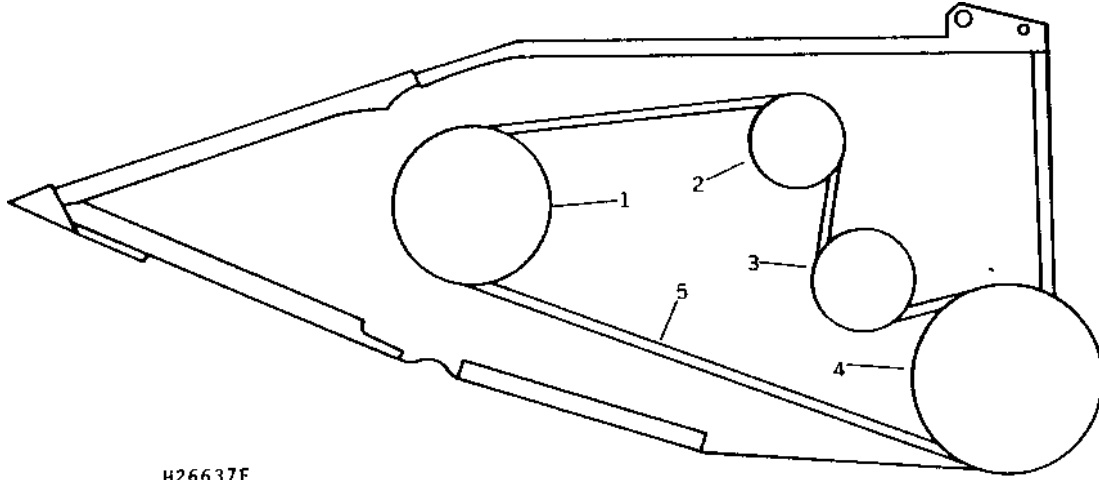
KEY	PART NO.	PART NAME	QTY	SERIAL NO.	REMARKS
1	AH96655	CHAIN SPROCKET	2		13 TEETH, PICKUP REEL
2	AH96647	LINK CHAIN	2		ROLLER, DRIVE, TYPE 50, 5/8" PITCH, 164 LINKS
3	AH88831	CHAIN SPROCKET	2		81 TEETH, DRIVEN
4	AH138180	CHAIN SPROCKET	1		13 TEETH, DRIVE
5	AH89429	CHAIN SPROCKET	1		15 TEETH, TIGHTENER
6	AH141274	LINK CHAIN	1		ROLLER, DRIVE, TYPE 60, 3/4" PITCH, 87 LINKS
7	AH129328	CHAIN SPROCKET	1		40 TEETH, DRIVE

E21

BELTS, CHAINS, SHEAVES, SPROCKETS, AND DECALS

DRIVE BELT, SHEAVES, AND TIGHTENERS ON LEFT-HAND SIDE

918 (-635900)
H26637F -UN-01JAN94



H26637F

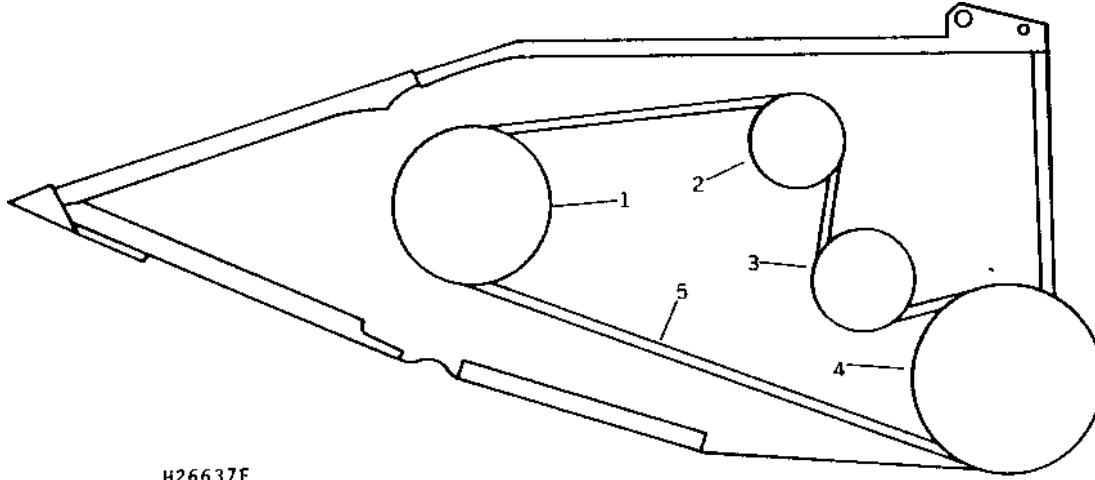
KEY	PART NO.	PART NAME	QTY	SERIAL NO.	REMARKS
1	E78705	SHEAVE	1		DRIVEN, 279 MM (11") DIA.
2	AN15237	IDLER	1		202 MM (7-15/16") DIA.
3	AH66202	SHEAVE	1		178 MM (7") DIA.
4	AH87948	SHEAVE	1	-625800	340 MM (13-3/8") DIA. (STANDARD) (596 RPM)
	AH93628	SHEAVE	1	-625800	302 MM (11-7/8") DIA. (OPTIONAL) (529 RPM)
	AH87948	SHEAVE	1	-635100	340 MM (13-3/8") DIA. (FAST SPEED) (ROUND)
	AH124524	SHEAVE	1	635101-	340 MM (13-3/8") DIA. (FAST SPEED)(HEX)
	AH93628	SHEAVE	1	-635100	302 MM (11-7/8") DIA. (MEDIUM SPEED) (ROUND)
	AH124525	SHEAVE	1	635101-	302 MM (11-7/8") DIA. (MEDIUM SPEED)(HEX)
	AH97335	SHEAVE	1	-635100	264 MM (10-3/8") DIA. (SLOW SPEED) (ROUND)
	AH124526	SHEAVE	1	635101-	264 MM (10-3/8") DIA. (SLOW SPEED)(HEX)
5	H25641	BELT	1	-625800	(STANDARD) (596 RPM)
	H25641	BELT	1		(OPTIONAL) (596 RPM)
	H33473	BELT	1	-625800	(OPTIONAL) (529 RPM)
	H33473	BELT	1		(STANDARD) (529 RPM)

E22

BELTS, CHAINS, SHEAVES, SPROCKETS, AND DECALS

DRIVE BELT, SHEAVES, AND TIGHTENERS ON LEFT-HAND SIDE

920 (646301-)
H26637F -UN-01JAN94



H26637F

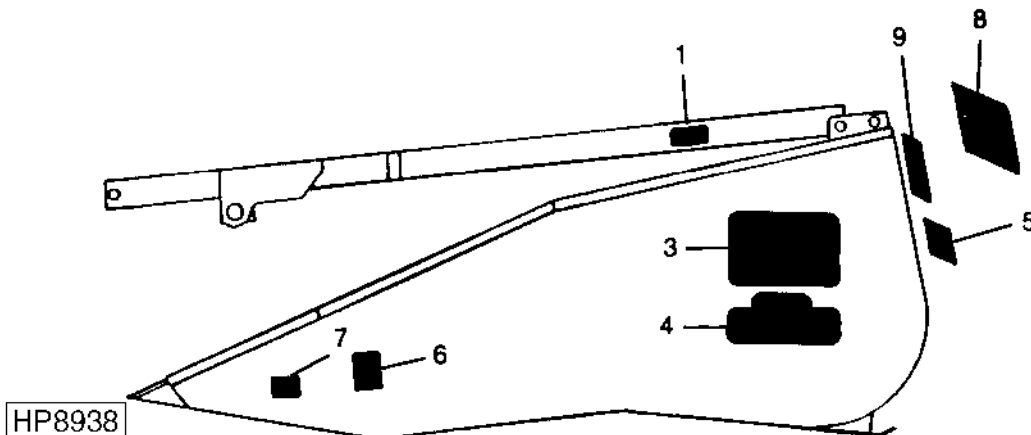
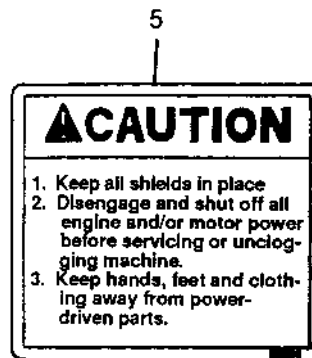
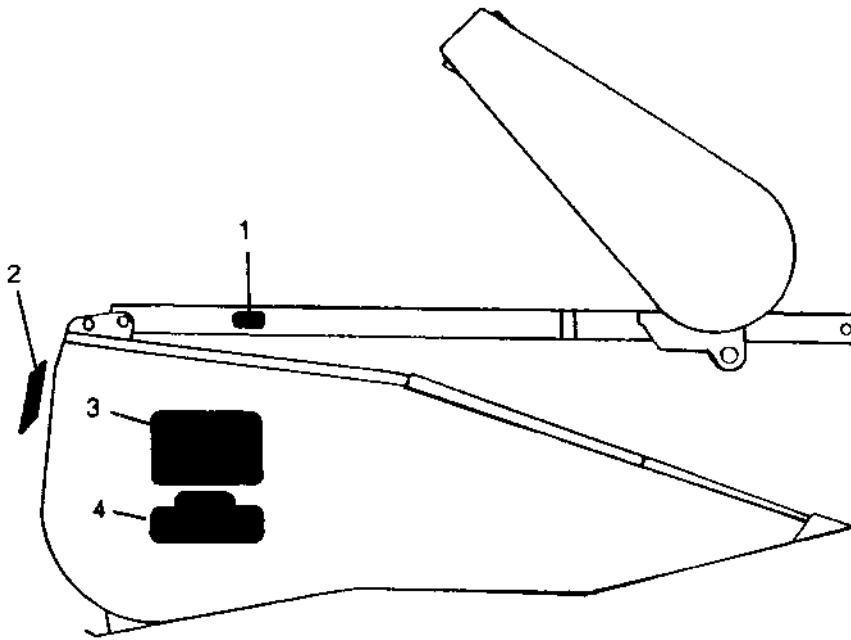
KEY	PART NO.	PART NAME	QTY	SERIAL NO.	REMARKS
1	E78705	SHEAVE	1		DRIVEN, 279 MM (11") DIA.
2	AN15237	IDLER	1		202 MM (7-15/16") DIA.
3	AH66202	SHEAVE	1		178 MM (7") DIA.
4	AH124524	SHEAVE	1		340 MM (13-3/8") DIA. (FAST SPEED)(HEX)
	AH124525	SHEAVE	1		302 MM (11-7/8") DIA. (MEDIUM SPEED)(HEX)
	AH124526	SHEAVE	1		264 MM (10-3/8") DIA. (SLOW SPEED)(HEX)
5	H25641	BELT	1		(OPTIONAL) (596 RPM)
	H33473	BELT	1		(STANDARD) (529 RPM)

MEMORANDA

E23

RIGHT-HAND AND LEFT-HAND DECALS

918 (-635900)
HP8938 -UN-26AUG99



HP8938

E24

BELTS, CHAINS, SHEAVES, SPROCKETS, AND DECALS

RIGHT-HAND AND LEFT-HAND DECALS - CONTINUED
918 (-635900)

KEY	PART NO.	PART NAME	QTY	SERIAL NO.	REMARKS
1	H170871	SAFETY SIGN	2		"WARNING" LOCATED ON L.H. AND R.H. REEL (ALSO INCLUDED IN DECAL SET)
2	H136162	REFLECTOR	2		(RED)
3	DECAL	2		(SUB AH100289) "LEAPING DEER"
4	H132179	LABEL	2		(918 DRAPER) (KIT AH100289)
5	JD5255	DECAL	1		(SUB E82510) "CAUTION"
6	JD5933	REFLECTOR	1		(AMBER) (ON WOBBLE BOX CASE)
7	H132865	DECAL	1		KNIFE TORQUES (L.H. CROP DIVIDER)
8	H135578	LABEL	1		(LUBE CHART)
9	JD5578	REFLECTOR	1		(REAR FACE OF L.H. SHIELD)
..	AH100289	DECAL KIT	1		(012223344455678)-ON R.H. AND L.H. SHIELD, MODEL DESIGNATION, LOCATED LOWER CENTER POSITION REFLECTIVE TAPE-(RED) LOCATED IN REAR, UPPER L.H. SHIELD; LOCATED IN REAR, UPPER, R.H. END SHEET ON PLATFORM
					REFLECTIVE TAPE-(AMBER) LOCATED ON STANDARD DIVIDER POINT, CENTER, L.H. "LEAPING DEER" 203 MM (8") LOCATED ON R.H. AND L.H. SHIELD, CENTER IN EMBOSSEMENT "WARNING", LOCATED ON L.H. AND R.H. REEL ARM

RIGHT-HAND AND LEFT-HAND DECALS

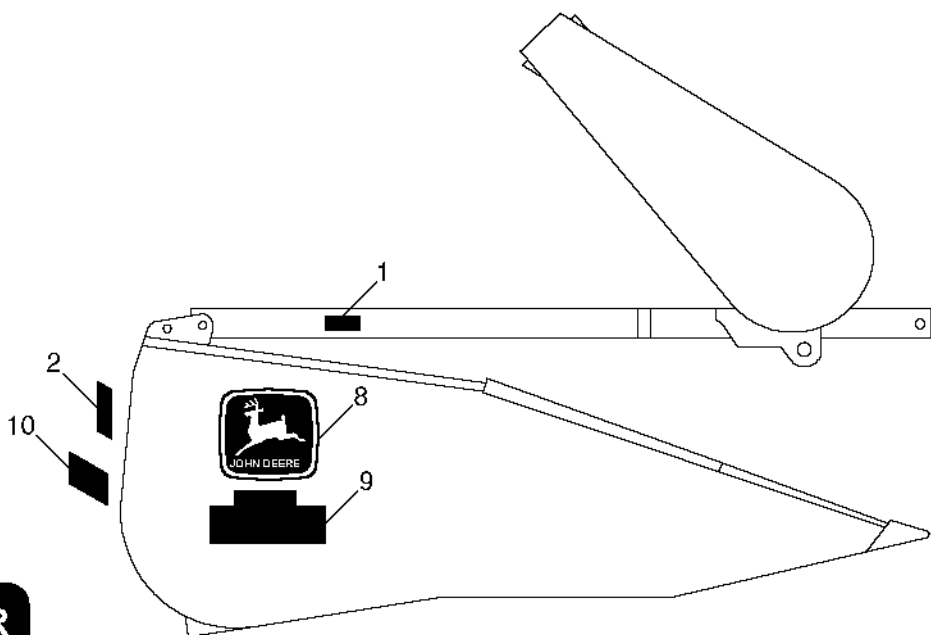
920 (646301-)
 HP8892 -UN-26AUG99



WARNING

Avoid crushing injuries from fall of a raised reel.

Before working on or under raised reel, stop engine, remove key, set park brake and set safety stop on each lift cylinder rod.





DANGER

Entanglement in rotating driveline can cause serious injury or death.

Keep all shields in place.

Avoid contact with rotating parts.

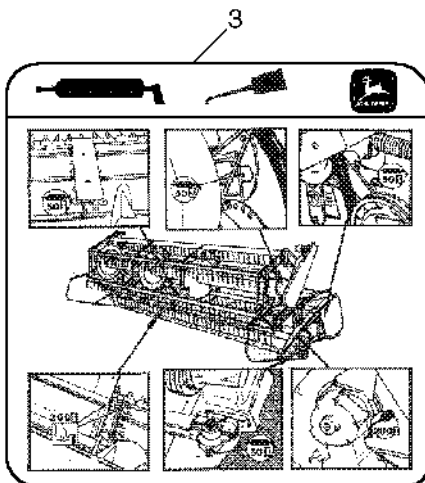
IMPORTANT

To avoid reel finger damage when adjusting the reel lower stop, maintain the finger to cutterbar clearance as follows:

Rigid- minimum clearance must be 38mm (1.5in)

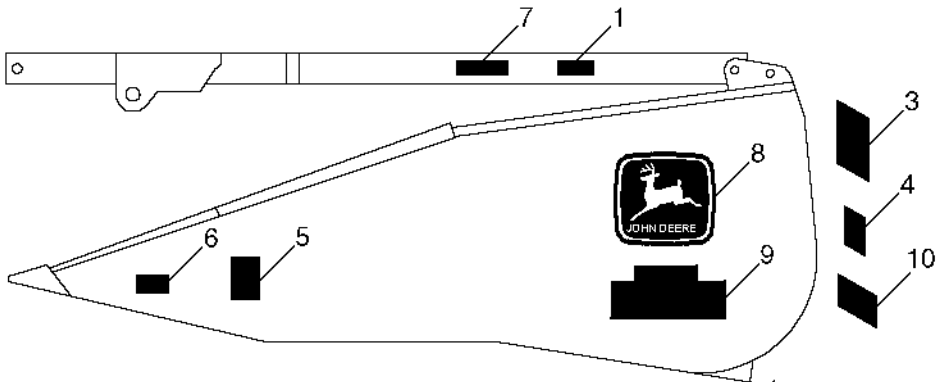
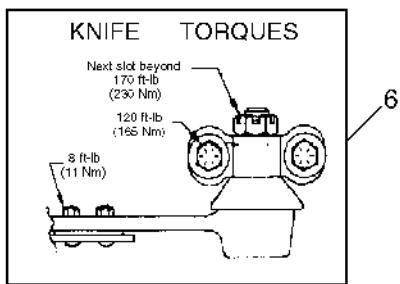
Flex- Place a 4x4 under the center and each end of the cutterbar

- Lower header fully
- Minimum clearance must be 38mm (1.5in)



CAUTION

1. Keep all shields in place
2. Disengage and shut off all engine and/or motor power before servicing or unclogging machine
3. Keep hands, feet and clothing away from power-driven parts.



HP8892

F2

BELTS, CHAINS, SHEAVES, SPROCKETS, AND DECALS

RIGHT-HAND AND LEFT-HAND DECALS - CONTINUED 920 (646301-)

KEY	PART NO.	PART NAME	QTY	SERIAL NO.	REMARKS
1	H99314	DECAL	2	-661300	(SUB H170871) "WARNING" LOCATED ON L.H. AND R.H. REEL (ALSO INCLUDED IN AH100289 DECAL KIT)
	H170871	SAFETY SIGN	2		"WARNING" LOCATED ON L.H. AND R.H. REEL (ALSO INCLUDED IN AH100289 DECAL KIT)
2	H136162	REFLECTOR	2	-655300	(SUB JD5901) REFLECTIVE TAPE (RED)
	JD5901	REFLECTOR	2		REFLECTIVE TAPE (RED)
3	H135578	LABEL	1		(LUBE CHART)
4	JD5255	DECAL	1	-651300	"CAUTION"
	E82510	LABEL	1	651301-	"CAUTION"
5	JD5583	REFLECTOR	1		(AMBER) (ON WOBBLE BOX CASE)
6	H132865	DECAL	1		KNIFE TORQUES (L.H. CROP DIVIDER)
7	H145147	LABEL	1	656301-	REEL FINGERS
8	DECAL	2		(ORDER AH100289) "LEAPING DEER"
9	H132179	LABEL	2		920 DRAPER
10	E82514	LABEL	2	686301-	"DANGER" DRIVE LINE ENTANGLEMENT
..	AH100289	DECAL KIT	1		

MEMORANDA

NUMERICAL INDEX

PART NO.	GRID	KEY	PAGE	PART NO.	GRID	KEY	PAGE	PART NO.	GRID	KEY	PAGE
AD2062R	B6	2	15 - 15	AH120740	E2	6	30 - 13	AH131525	C11	1	25 - 5
AD2062R	B7	2	15 - 16	AH120741	E12	10	30 - 24	AH131526	B17	10	20 - 7
AE23516	C7	10	25 - 1	AH120742	E12	10	30 - 24	AH131526	C13	1	25 - 7
AE24403	A17	9	10 - 7	AH121075	B23	23	20 - 13	AH131752	C1	1	20 - 16
AE28861	B15	4	20 - 5	AH121079	B23	24	20 - 13	AH132152	C21	23	25 - 15
AE35151	B15	21	20 - 5	AH121079	B25	6	20 - 15	AH132254	A21	1	15 - 5
AE35217	B21	9	20 - 11	AH122150	A11	6	10 - 1	AH132334	C21	30	25 - 15
AE38050	B15	23	20 - 5	AH122151	A11	6	10 - 1	AH132334	C23	4	25 - 17
AE38359	B15	5	20 - 5	AH122157	A11	1	10 - 1	AH132618	C9	2	25 - 3
AE38448	B15	17	20 - 5	AH122158	A11	9	10 - 1	AH132618	C9	22A	25 - 3
AE38566	B15	6	20 - 5	AH122159	A11	8	10 - 1	AH132618	C9	23A	25 - 3
AE41481	B15	24	20 - 5	AH122160	A11	7	10 - 1	AH132651	B23	24	20 - 13
AE46307	B15	11	20 - 5	AH123474	D23	14	30 - 9	AH132651	B25	6	20 - 15
AE46307	B15	12	20 - 5	AH123475	D19	8	30 - 5	AH132652	B23	24	20 - 13
AE46307	B15	13	20 - 5	AH123475	D21	8	30 - 7	AH132904	B23	31	20 - 13
AE46661	B15	36	20 - 5	AH123475	D25	14	30 - 11	AH132905	A21	8	15 - 5
AE47781	B15	20	20 - 5	AH123475	E2	14	30 - 13	AH132905	A23	8	15 - 7
AE49271	B15	36	20 - 5	AH123485	D19	7	30 - 5	AH132905	A25	8	15 - 9
AE51772	B15	23	20 - 5	AH123485	D21	7	30 - 7	AH132906	A21	8	15 - 5
AE55172	B15	9	20 - 5	AH123492	D17	8	30 - 3	AH132906	A23	8	15 - 7
AE57008	B23	18	20 - 13	AH123531	D17	21	30 - 3	AH132906	A25	8	15 - 9
AE57008	B23	19	20 - 13	AH124524	B16	3	20 - 6	AH133436	D8	13	25 - 27
AE57009	B23	19	20 - 13	AH124524	B19	1	20 - 9	AH133436	D10	17	25 - 29
AH100289	E24	3	40 - 7	AH124524	E21	4	40 - 3	AH133436	D12	18	25 - 31
AH100289	E24	4	40 - 7	AH124524	E22	4	40 - 4	AH133918	A21	1	15 - 5
AH100289	E24	..	40 - 7	AH124525	B16	3	20 - 6	AH134121	E15	4	35 - 2
AH100289	F2	8	40 - 9	AH124525	B19	1	20 - 9	AH134121	E16	4	35 - 3
AH100289	F2	..	40 - 9	AH124525	E21	4	40 - 3	AH134121	E17	4	35 - 4
AH103809	E11	21	30 - 23	AH124525	E22	4	40 - 4	AH134137	B25	8A	20 - 15
AH10515	B16	8	20 - 6	AH124526	B16	3	20 - 6	AH134137	B25	8B	20 - 15
AH10515	C9	5	25 - 3	AH124526	B19	1	20 - 9	AH134137	C1	8	20 - 16
AH107066	C21	12	25 - 15	AH124526	E21	4	40 - 3	AH134204	B6	3	15 - 15
AH107066	C21	24	25 - 15	AH124526	E22	4	40 - 4	AH134208	B9	6	15 - 18
AH107066	D2	6	25 - 21	AH124929	C21	28	25 - 15	AH134252	B6	3	15 - 15
AH107066	D4	6	25 - 23	AH125393	A14	3	10 - 4	AH134252	B7	3	15 - 16
AH108406	C3	13	20 - 19	AH125393	A15	8	10 - 5	AH134311	E10	13	30 - 22
AH108738	D8	7	25 - 27	AH125678	B25	8A	20 - 15	AH134311	E10	14	30 - 22
AH108738	D10	5	25 - 29	AH126377	B16	18	20 - 6	AH134771	D10	20	25 - 29
AH110993	C21	24	25 - 15	AH126377	B17	5	20 - 7	AH134771	D12	15	25 - 31
AH110993	D2	8	25 - 21	AH126377	B18	5	20 - 8	AH135030	E10	14	30 - 22
AH111041	C4	13	20 - 20	AH126377	C13	7	25 - 7	AH135569	B17	3	20 - 7
AH111306	C21	23	25 - 15	AH126377	C15	7	25 - 9	AH135569	B18	3	20 - 8
AH112088	A14	3	10 - 4	AH126380	C13	2	25 - 7	AH135569	B19	1	20 - 9
AH112088	A15	8	10 - 5	AH126380	C15	2	25 - 9	AH135857	E10	1	30 - 22
AH113432	E14	1	35 - 1	AH127293	E7	1	30 - 19	AH135857	E10	2	30 - 22
AH116639	B15	37	20 - 5	AH127485	A17	2	10 - 7	AH135857	E10	4	30 - 22
AH117836	E3	3	30 - 14	AH128241	D17	14	30 - 3	AH135857	E10	7	30 - 22
AH117836	E4	3	30 - 15	AH128241	D19	15	30 - 5	AH135857	E10	8	30 - 22
AH118653	D23	15	30 - 9	AH128241	D21	15	30 - 7	AH135857	E10	..	30 - 22
AH118653	D25	15	30 - 11	AH128241	D23	18	30 - 9	AH136197	A21	1	15 - 5
AH118653	E2	15	30 - 13	AH128241	D25	18	30 - 11	AH136459	A21	1	15 - 5
AH119654	A21	1	15 - 5	AH128241	E2	18	30 - 13	AH136630	C21	23	25 - 15
AH120121	E10	14	30 - 22	AH129262	E15	1	35 - 2	AH136653	B8	3	15 - 17
AH120122	E5	7	30 - 16	AH129287	E15	1	35 - 2	AH136653	B9	3	15 - 18
AH120122	E5	8	30 - 16	AH129328	D8	18	25 - 27	AH137747	A19	11	15 - 2
AH120150	A14	14	10 - 4	AH129328	E19	7	40 - 1	AH137774	A21	10	15 - 5
AH120150	A15	15	10 - 5	AH129328	E20	7	40 - 2	AH137774	A21	11	15 - 5
AH120464	D17	22	30 - 3	AH129338	C21	23	25 - 15	AH137774	A21	24	15 - 5
AH120465	D17	6	30 - 3	AH129419	A11	4	10 - 1	AH137774	A23	10	15 - 7
AH120466	D17	2	30 - 3	AH130579	C11	12	25 - 5	AH137774	A23	11	15 - 7
AH120562	A17	23	10 - 7	AH130579	C13	14	25 - 7	AH137774	A23	24	15 - 7
AH120563	A17	23	10 - 7	AH130579	E19	11	40 - 1	AH137774	A25	10	15 - 9
AH120564	A17	21	10 - 7	AH131039	D10	20	25 - 29	AH137774	A25	11	15 - 9
AH120565	A17	21	10 - 7	AH131039	D12	15	25 - 31	AH137774	A25	24	15 - 9
AH120634	B12	6	20 - 1	AH131089	E7	2	30 - 19	AH138180	C11	12	25 - 5
AH120740	D23	6	30 - 9	AH131482	C11	2	25 - 5	AH138180	C13	14	25 - 7
AH120740	D25	6	30 - 11	AH131525	B16	10B	20 - 6	AH138180	C15	14	25 - 9

NUMERICAL INDEX - CONTINUED

PART NO.	GRID	KEY	PAGE	PART NO.	GRID	KEY	PAGE	PART NO.	GRID	KEY	PAGE
AH138180	C17	14	25-11	AH143354	B13	6	20-2	AH83835	E11	12	30-23
AH138180	C19	4	25-13	AH143354	B13	26	20-2	AH83835	E11	15	30-23
AH138180	E19	11	40-1	AH143369	B9	6	15-18	AH83835	E11	17	30-23
AH138180	E20	4	40-2	AH143402	B12	2	20-1	AH83835	E11	18	30-23
AH138213	B23	24	20-13	AH143402	B12	26	20-1	AH83835	E11	19	30-23
AH138213	B23	34	20-13	AH143402	B13	2	20-2	AH83835	E11	20	30-23
AH138224	A14	11	10-4	AH143696	A23	1	15-7	AH83835	E11	23	30-23
AH138224	A14	12	10-4	AH143696	A25	1	15-9	AH83835	E11	25	30-23
AH138224	A14	15	10-4	AH143705	C21	24	25-15	AH83835	E11	26	30-23
AH138224	A14	19	10-4	AH143705	D2	8	25-21	AH83835	E11	27	30-23
AH138225	B12	3	20-1	AH144523	C7	9	25-1	AH83835	E11	28	30-23
AH138225	B12	4	20-1	AH144831	E9	2	30-21	AH83835	E11	29	30-23
AH138225	B12	6	20-1	AH145820	B18	10	20-8	AH83835	E11	..	30-23
AH138225	B12	26	20-1	AH145820	C15	1	25-9	AH83836	E11	11	30-23
AH138236	B23	24	20-13	AH145820	C17	1	25-11	AH83836	E11	24	30-23
AH138236	B23	33	20-13	AH145839	B19	3	20-9	AH83836	E11	..	30-23
AH138236	B25	6	20-15	AH147001	C17	25	25-11	AH86807	E11	10	30-23
AH139082	D8	7	25-27	AH147641	C17	7	25-11	AH86808	E11	7	30-23
AH139082	D10	5	25-29	AH147644	C17	2	25-11	AH86809	E11	8	30-23
AH139082	D12	5	25-31	AH148412	C17	29	25-11	AH86810	E11	20	30-23
AH139941	C23	6	25-17	AH148572	C21	30	25-15	AH86813	E11	26	30-23
AH140379	B23	24	20-13	AH148572	C25	4	25-19	AH86814	E11	28	30-23
AH140379	B25	6	20-15	AH148573	C21	30	25-15	AH87264	E5	3	30-16
AH140379	C1	6	20-16	AH148576	C21	30	25-15	AH87265	E10	2	30-22
AH140380	B23	24	20-13	AH148576	C25	12	25-19	AH87266	E10	..	30-22
AH140380	B23	35	20-13	AH149116	C25	6	25-19	AH87267	E5	2	30-16
AH140380	B25	6	20-15	AH149325	C21	30	25-15	AH87267	E5	3	30-16
AH140380	C1	6	20-16	AH151356	C17	11	25-11	AH87267	E5	4	30-16
AH140381	B23	24	20-13	AH151356	C19	6	25-13	AH87267	E5	5	30-16
AH140381	B23	34	20-13	AH152670	D12	15	25-31	AH87267	E5	6	30-16
AH140381	B25	6	20-15	AH153804	D8	7	25-27	AH87267	E5	..	30-16
AH140381	C1	6	20-16	AH155077	C7	6	25-1	AH87945	C9	20	25-3
AH141142	D13	..	25-32	AH155215	B9	3	15-18	AH87945	E19	11	40-1
AH141274	C13	13	25-7	AH155216	B9	3	15-18	AH87947	D10	20	25-29
AH141274	C15	13	25-9	AH155397	B9	9	15-18	AH87948	B16	3	20-6
AH141274	C17	13	25-11	AH157136	B19	1	20-9	AH87948	E21	4	40-3
AH141274	C19	3	25-13	AH159428	C25	6	25-19	AH87953	C9	31	25-3
AH141274	E20	6	40-2	AH161148	A25	1	15-9	AH87953	C11	25	25-5
AH141277	A23	1	15-7	AH162064	C19	24	25-13	AH87953	C13	27	25-7
AH141311	A21	1	15-5	AH162435	A25	1	15-9	AH88540	C9	23A	25-3
AH141312	A23	1	15-7	AH164128	D4	6	25-23	AH88551	C9	2	25-3
AH141463	B16	10B	20-6	AH164497	B8	1	15-17	AH88802	D10	20	25-29
AH141463	C11	1	25-5	AH164497	B9	1	15-18	AH88831	A17	13	10-7
AH141464	B17	10	20-7	AH164499	B6	1	15-15	AH88831	E19	3	40-1
AH141464	B18	10	20-8	AH164499	B7	1	15-16	AH88831	E20	3	40-2
AH141464	C15	1	25-9	AH164791	B7	..	15-16	AH88834	B12	2	20-1
AH141859	E9	1	30-21	AH164909	C7	8	25-1	AH88838	D8	13	25-27
AH141972	A15	10	10-5	AH164910	C7	1	25-1	AH88838	D10	17	25-29
AH141972	A15	16	10-5	AH164911	C7	3	25-1	AH89429	C9	8	25-3
AH141972	A15	17	10-5	AH164912	C7	5	25-1	AH89429	C11	7	25-5
AH141977	A23	1	15-7	AH166180	B7	..	15-16	AH89429	C11	8	25-5
AH141977	A25	1	15-9	AH20443	C9	8	25-3	AH89429	C13	10	25-7
AH142374	C21	23	25-15	AH20443	E19	10	40-1	AH89429	C15	10	25-9
AH142379	C21	30	25-15	AH20841	E5	2	30-16	AH89429	C17	10	25-11
AH142379	C23	4	25-17	AH66202	B12	20	20-1	AH89429	C19	7	25-13
AH142379	C25	4	25-19	AH66202	B13	20	20-2	AH89429	E19	10	40-1
AH142417	B13	6	20-2	AH66202	E21	3	40-3	AH89429	E20	5	40-2
AH142537	C23	6	25-17	AH66202	E22	3	40-4	AH89557	B6	6	15-15
AH142537	C25	6	25-19	AH76970	E12	4	30-24	AH89557	B7	6	15-16
AH143316	D5	1	25-24	AH76970	E19	4	40-1	AH91784	B16	13	20-6
AH143316	D6	1	25-25	AH77869	E3	6	30-14	AH91784	B17	13	20-7
AH143317	D5	1	25-24	AH77869	E4	6	30-15	AH91784	B18	13	20-8
AH143317	D6	1	25-25	AH83835	E11	6	30-23	AH92155	A19	8	15-2
AH143354	B12	23	20-1	AH83835	E11	7	30-23	AH92155	A19	..	15-2
AH143354	B12	26	20-1	AH83835	E11	8	30-23	AH92156	A19	7	15-2
AH143354	B13	3	20-2	AH83835	E11	9	30-23	AH92157	A19	7	15-2
AH143354	B13	4	20-2	AH83835	E11	10	30-23	AH92196	B21	7	20-11

NUMERICAL INDEX - CONTINUED

PART NO.	GRID	KEY	PAGE	PART NO.	GRID	KEY	PAGE	PART NO.	GRID	KEY	PAGE
AH92196	B21	10	20-11	AN131672	E4	7	30-15	E40205	A11	13	10-1
AH92459	B4	15	15-13	AN15237	B12	15	20-1	E40205	A12	9	10-2
AH92487	E14	1	35-1	AN15237	B13	15	20-2	E40205	A13	9	10-3
AH92488	E12	1	30-24	AN15237	E21	2	40-3	E40206	A11	14	10-1
AH93323	E10	3	30-22	AN15237	E22	2	40-4	E40206	A12	10	10-2
AH93323	E10	5	30-22	AP20769	A19	8	15-2	E40206	A13	10	10-3
AH93323	E10	10	30-22	AP26337	E10	1	30-22	E40212	A13	5	10-3
AH93323	E10	12	30-22	AR94522	D17	16	30-3	E43336	B15	1	20-5
AH93628	B16	3	20-6	AR94522	D19	2	30-5	E43336	B16	20	20-6
AH93628	E21	4	40-3	AR94522	D21	2	30-7	E43336	B17	14	20-7
AH93794	B4	13	15-13	AT10907	B15	20	20-5	E43336	C11	27	25-5
AH94788	C21	30	25-15	AT21780	B15	4	20-5	E43336	C13	29	25-7
AH95993	D23	13	30-9	AT35121	D23	1	30-9	E45229	A11	12	10-1
AH95994	D25	13	30-11	AT35121	D25	1	30-11	E45229	A12	8	10-2
AH95994	E2	13	30-13	AT35121	E2	1	30-13	E45229	A13	16	10-3
AH96647	A17	19	10-7	AT35599	D17	10	30-3	E47954	B23	8	20-13
AH96647	E19	2	40-1	AT35599	D19	12	30-5	E47954	B23	13	20-13
AH96647	E20	2	40-2	AT35599	D21	12	30-7	E50102	C9	24	25-3
AH96655	A17	18	10-7	A11455	C11	6	25-5	E50102	C21	20	25-15
AH96655	E19	1	40-1	A11455	C13	8	25-7	E50102	D2	13	25-21
AH96655	E20	1	40-2	A11455	D8	8	25-27	E51350	E10	11	30-22
AH96674	E12	5	30-24	A11455	D8	10	25-27	E52444	B15	29	20-5
AH96674	E19	6	40-1	A11455	D10	4	25-29	E53111	C4	11	20-20
AH97012	A17	14	10-7	A11455	D10	12	25-29	E54809	A17	26	10-7
AH97013	B21	11	20-11	A11455	D10	13	25-29	E54809	C3	17	20-19
AH97016	D8	18	25-27	A11455	D10	15	25-29	E55662	B12	1	20-1
AH97016	E19	7	40-1	A15898	D17	20	30-3	E55662	B12	13	20-1
AH97165	A17	3	10-7	A15898	D19	6	30-5	E55662	B12	17	20-1
AH97166	A17	3	10-7	A15898	D21	6	30-7	E55662	B13	13	20-2
AH97186	A12	1	10-2	A22698	A21	14	15-5	E55662	B13	17	20-2
AH97195	A12	6	10-2	A22698	A21	15	15-5	E55662	B16	12	20-6
AH97196	A12	6	10-2	A22698	A21	16	15-5	E55662	B17	12	20-7
AH97207	A11	15	10-1	A22698	A21	17	15-5	E55662	B23	3	20-13
AH97207	A12	11	10-2	A22698	A23	14	15-7	E55662	B23	5	20-13
AH97207	A13	11	10-3	A22698	A23	15	15-7	E55662	B23	9	20-13
AH97208	A11	20	10-1	A22698	A23	16	15-7	E55662	B23	11	20-13
AH97208	A12	13	10-2	A22698	A23	17	15-7	E55662	B23	28	20-13
AH97221	A13	3B	10-3	A22698	B2	2	15-11	E55662	C9	3	25-3
AH97240	D10	..	25-29	A22698	D5	2	25-24	E55662	C11	3	25-5
AH97335	B16	3	20-6	A22698	D5	4	25-24	E55662	C11	10	25-5
AH97335	E21	4	40-3	A22698	D17	18	30-3	E55662	C13	4	25-7
AH97342	C9	9	25-3	A22698	D19	17	30-5	E55662	C13	12	25-7
AH97342	C11	9	25-5	A22698	D23	24	30-9	E55662	C21	19	25-15
AH97342	C13	11	25-7	A22698	E15	2	35-2	E55662	C23	3	25-17
AH97342	C15	11	25-9	A22698	E16	2	35-3	E55662	D2	11	25-21
AH97342	C17	11	25-11	A31870	B18	1	20-8	E55662	D8	5	25-27
AH98071	D17	3	30-3	A31870	B18	14	20-8	E55662	D10	7	25-29
AN102010	B16	8	20-6	A31870	B19	11	20-9	E55662	E14	6	35-1
AN102010	B17	8	20-7	A31870	C15	15	25-9	E55662	E15	7	35-2
AN102010	B18	8	20-8	A31870	C15	29	25-9	E55662	E15	8	35-2
AN102010	B19	6	20-9	A31870	C17	15	25-11	E55662	E16	7	35-3
AN102010	C11	5	25-5	A31870	C19	1	25-13	E55662	E16	8	35-3
AN102010	C13	6	25-7	BP12946	C7	12	25-1	E57837	B15	22	20-5
AN102010	C15	6	25-9	BP13712	C21	26	25-15	E57837	B15	23	20-5
AN102010	C17	6	25-11	BP13712	C23	8	25-17	E58308	B15	27	20-5
AN102010	C19	31	25-13	B15648	A14	10	10-4	E59303	B15	14	20-5
AN102010	C19	37	25-13	CM16596	D8	4	25-27	E59584	A13	1	10-3
AN102010	C21	18	25-15	CM16596	D10	8	25-29	E59585	A13	6	10-3
AN102010	C23	2	25-17	CM21106	D8	4	25-27	E59625	B23	1	20-13
AN102010	C25	2	25-19	CM21106	D10	8	25-29	E60129	B15	9	20-5
AN102010	D2	10	25-21	C2214E	C9	34	25-3	E62951	B16	15	20-6
AN102010	D4	10	25-23	C3142E	A17	24	10-7	E62951	B17	15	20-7
AN102010	D8	12	25-27	E10018	C21	5	25-15	E62951	B18	15	20-8
AN113929	D23	22	30-9	E30743	C9	11	25-3	E62951	C9	2	25-3
AN113929	D25	22	30-11	E40203	A11	11	10-1	E62951	C9	22A	25-3
AN113929	E2	22	30-13	E40203	A12	7	10-2	E62951	C9	22B	25-3
AN131672	E3	7	30-14	E40203	A13	7	10-3	E62951	C9	23A	25-3

NUMERICAL INDEX - CONTINUED

PART NO.	GRID	KEY	PAGE	PART NO.	GRID	KEY	PAGE	PART NO.	GRID	KEY	PAGE
E62951	C11	15	25-5	H11451	B21	12	20-11	H131555	A23	18	15-7
E62951	C11	16	25-5	H115890	D17	17	30-3	H131555	A25	18	15-9
E62951	C13	17	25-7	H115890	D19	4	30-5	H132147	A13	3A	10-3
E62951	C13	18	25-7	H115890	D21	4	30-7	H132148	A13	2	10-3
E62951	C15	17	25-9	H117229	D17	13	30-3	H132149	A13	4A	10-3
E62951	C15	18	25-9	H117229	D19	14	30-5	H132179	E24	4	40-7
E62951	C17	17	25-11	H117229	D21	14	30-7	H132179	F2	9	40-9
E78705	B15	3	20-5	H117229	D23	19	30-9	H132654	E14	7	35-1
E78705	E21	1	40-3	H117229	D25	19	30-11	H132865	E12	13	30-24
E78705	E22	1	40-4	H117229	E2	19	30-13	H132865	E24	7	40-7
E82510	E24	5	40-7	H118913	C21	15A	25-15	H132865	F2	6	40-9
E82510	F2	4	40-9	H119710	C17	16	25-11	H133619	A21	3A	15-5
E82514	F2	10	40-9	H120113	B15	37	20-5	H133620	A21	3A	15-5
G6579E	C17	23	25-11	H122207	D17	4	30-3	H134693	A11	21	10-1
G6579E	C19	23	25-13	H122207	D17	7	30-3	H134763	C21	17	25-15
H101200	B23	8	20-13	H122207	D19	9	30-5	H134763	D10	3	25-29
H101677	C17	20	25-11	H122207	D23	10	30-9	H134764	C21	1	25-15
H101677	C19	28	25-13	H122207	D23	11	30-9	H134764	D10	2	25-29
H101678	C17	21	25-11	H122207	D25	10	30-11	H134841	E15	6	35-2
H101678	C19	26	25-13	H122207	D25	11	30-11	H134841	E16	6	35-3
H102724	C21	10	25-15	H122207	E2	10	30-13	H134841	E17	6	35-4
H102724	D2	4	25-21	H123500	B25	1A	20-15	H135049	C21	16	25-15
H103265	B16	7	20-6	H123605	A14	16	10-4	H135049	D2	12	25-21
H103265	B17	7	20-7	H123605	A15	18	10-5	H135049	D4	12	25-23
H103265	B18	7	20-8	H124240	B12	3	20-1	H135058	C21	6B	25-15
H103265	C9	4	25-3	H124241	B12	4	20-1	H135059	D2	9	25-21
H103265	C11	4	25-5	H124242	B12	12	20-1	H135059	D4	9	25-23
H103265	C13	5	25-7	H124242	B13	12	20-2	H135095	A21	13	15-5
H103265	C15	5	25-9	H124261	A21	4	15-5	H135156	D17	5	30-3
H103265	C17	5	25-11	H125403	D17	9	30-3	H135156	D19	10	30-5
H103265	C21	5	25-15	H125403	D19	11	30-5	H135156	D21	10	30-7
H103265	C23	1	25-17	H125403	D21	11	30-7	H135183	E15	11	35-2
H103265	C25	1	25-19	H125403	D23	16	30-9	H135183	E16	11	35-3
H103265	D2	16	25-21	H125403	D25	16	30-11	H135183	E17	11	35-4
H103265	D4	16	25-23	H125403	E2	16	30-13	H135222	C9	2	25-3
H103265	D8	11	25-27	H125889	B23	17	20-13	H135222	C9	22A	25-3
H105164	B1	3	15-10	H125890	B23	18	20-13	H135222	C9	23A	25-3
H105165	B2	3	15-11	H125890	B23	33	20-13	H135222	C9	23B	25-3
H105165	B3	3	15-12	H125891	B23	19	20-13	H135222	C11	15	25-5
H108245	D17	5	30-3	H125891	B23	33	20-13	H135222	C11	16	25-5
H108245	D19	10	30-5	H125891	B23	34	20-13	H135222	C13	17	25-7
H109211	B5	4	15-14	H125891	B23	35	20-13	H135222	C13	18	25-7
H109212	B5	1	15-14	H125892	B23	17	20-13	H135222	C15	17	25-9
H109799	B23	26	20-13	H125892	B23	18	20-13	H135222	C15	18	25-9
H109855	C17	18	25-11	H125892	B23	19	20-13	H135241	C11	23	25-5
H109855	C19	29	25-13	H125892	B23	33	20-13	H135241	C13	25	25-7
H110428	A25	26	15-9	H125892	B23	34	20-13	H135241	C15	25	25-9
H110730	C21	13	25-15	H125892	B23	35	20-13	H135578	E24	8	40-7
H110730	D2	7	25-21	H125893	B23	20A	20-13	H135578	F2	3	40-9
H111752	D23	12	30-9	H125894	B23	21	20-13	H135901	A21	18	15-5
H111904	D5	3	25-24	H127035	A11	5	10-1	H135908	A21	12	15-5
H111905	D5	3	25-24	H127037	A11	4	10-1	H135909	A21	12	15-5
H113322	C4	14	20-20	H127039	A11	2	10-1	H136032	C11	22	25-5
H113323	C4	10	20-20	H127039	A11	3	10-1	H136032	C13	24	25-7
H113324	C4	12	20-20	H127043	A11	10	10-1	H136032	C15	24	25-9
H113355	C3	14	20-19	H127801	B23	7	20-13	H136046	C21	27B	25-15
H113355	D8	9	25-27	H128039	D17	19	30-3	H136046	C23	9	25-17
H113355	D10	14	25-29	H128039	D19	1	30-5	H136046	C25	9	25-19
H113355	D12	12	25-31	H128039	D21	1	30-7	H136048	E16	12	35-3
H113371	A21	20	15-5	H128040	D23	23	30-9	H136048	E17	12	35-4
H113371	A23	20	15-7	H128235	B23	16	20-13	H136110	B9	11	15-18
H113371	A25	20	15-9	H128515	D23	12	30-9	H136162	E24	2	40-7
H113571	B23	4	20-13	H128515	D25	12	30-11	H136162	F2	2	40-9
H114395	C17	9	25-11	H128515	E2	12	30-13	H136246	C21	15B	25-15
H114395	C19	8	25-13	H129024	B23	7	20-13	H136246	D2	14	25-21
H11449	C4	7	20-20	H130934	D5	1	25-24	H136246	D4	14	25-23
H11450	B21	4	20-11	H130935	D5	1	25-24	H136247	C21	21B	25-15

NUMERICAL INDEX - CONTINUED

PART NO.	GRID	KEY	PAGE	PART NO.	GRID	KEY	PAGE	PART NO.	GRID	KEY	PAGE
H136247	D2	15	25-21	H145998	D5	3	25-24	H162662	D4	4	25-23
H136247	D4	15	25-23	H145998	D6	3	25-25	H165099	D4	12	25-23
H136256	B25	1B	20-15	H146837	B23	8	20-13	H166762	D4	15	25-23
H136256	E15	12	35-2	H147370	C13	9	25-7	H168246	B19	9	20-9
H136751	A21	1	15-5	H147370	C15	9	25-9	H168246	C19	39	25-13
H136751	A21	7	15-5	H147370	C17	9	25-11	H168297	B19	10	20-9
H136751	A23	7	15-7	H147565	A23	12	15-7	H168297	C19	40	25-13
H136751	A25	7	15-9	H147565	A25	12	15-9	H168316	B23	20B	20-13
H136807	B23	20A	20-13	H147566	A23	12	15-7	H168575	C19	30	25-13
H136807	B23	20B	20-13	H147566	A25	12	15-9	H169205	D4	8	25-23
H136807	B23	33	20-13	H147699	D12	9	25-31	H169441	E17	1	35-4
H136807	B23	34	20-13	H147702	C11	25	25-5	H169442	E17	1	35-4
H136807	B23	35	20-13	H147702	C15	27	25-9	H170871	E24	1	40-7
H136881	B19	2	20-9	H147707	A21	21	15-5	H170871	F2	1	40-9
H136892	D23	23	30-9	H147707	A23	21	15-7	H171710	C7	16	25-1
H136892	D25	23	30-11	H147707	A25	21	15-9	H172176	E2	23	30-13
H136958	B23	32	20-13	H147711	A21	21	15-5	H172925	C7	15	25-1
H136958	B23	33	20-13	H147711	A23	21	15-7	H174360	D4	14	25-23
H136963	B19	2	20-9	H147711	A25	21	15-9	H174947	D4	19	25-23
H136976	C13	22	25-7	H147799	B12	18	20-1	H20024	A17	1	10-7
H136976	C15	22	25-9	H147799	B13	18	20-2	H20024	A17	4	10-7
H137016	A14	5	10-4	H147956	A14	2	10-4	H23478	B21	2	20-11
H137016	A15	7	10-5	H147956	A15	2	10-5	H25603	B23	10	20-13
H137017	A14	4	10-4	H148345	C15	19	25-9	H25641	B16	4	20-6
H137017	A15	6	10-5	H148462	B12	23	20-1	H25641	E21	5	40-3
H137101	A21	25	15-5	H148462	B12	26	20-1	H25641	E22	5	40-4
H137101	A23	25	15-7	H148462	B13	23	20-2	H31507	B21	13	20-11
H137101	A25	25	15-9	H148463	B13	3	20-2	H31621	A19	3	15-2
H137143	A21	1	15-5	H148464	B12	26	20-1	H31622	A19	6	15-2
H137143	A21	3B	15-5	H148464	B13	24	20-2	H31624	A19	9	15-2
H137143	A23	3	15-7	H149440	D8	4	25-27	H33316	A12	3	10-2
H137143	A25	3	15-9	H149440	D10	8	25-29	H33317	A12	4	10-2
H137329	D4	13	25-23	H149441	D8	4	25-27	H33318	A12	5	10-2
H137423	B6	4	15-15	H149441	D10	8	25-29	H33332	A13	4B	10-3
H137423	B7	4	15-16	H149441	D12	7	25-31	H33333	A13	4B	10-3
H137514	C9	8	25-3	H150050	C21	10	25-15	H33473	B16	4	20-6
H137514	C11	7	25-5	H150050	D2	4	25-21	H33473	B17	4	20-7
H137514	C11	8	25-5	H150050	D4	4	25-23	H33473	B18	4	20-8
H137514	C13	9	25-7	H151036	B7	..	15-16	H33473	E21	5	40-3
H138262	A21	1	15-5	H151795	E17	16	35-4	H33473	E22	5	40-4
H138262	A21	12	15-5	H151796	B18	17	20-8	H35246	E5	4	30-16
H138263	A21	1	15-5	H153590	C19	32	25-13	H35247	E5	6	30-16
H138263	A21	12	15-5	H153594	C19	27	25-13	H35248	E5	5	30-16
H138761	B19	2	20-9	H153595	C19	16	25-13	H35256	E10	4	30-22
H138762	B19	2	20-9	H153817	C17	19	25-11	H35893	C3	2	20-19
H139072	B8	8	15-17	H153899	C19	13	25-13	H63856	E10	10	30-22
H139072	B9	8	15-18	H160250	B23	20A	20-13	H63858	E10	8	30-22
H139073	B8	7	15-17	H160251	B23	20B	20-13	H63859	E10	7	30-22
H139073	B9	7	15-18	H160735	E17	16	35-4	H63860	E10	12	30-22
H139831	D8	19	25-27	H160736	E17	11	35-4	H64374	C4	9	20-20
H140664	B6	3	15-15	H160737	E17	6	35-4	H65108	E3	4	30-14
H140664	B6	..	15-15	H160739	B18	17	20-8	H65108	E4	4	30-15
H141546	B23	8	20-13	H160933	E17	12	35-4	H75386	B23	4	20-13
H141678	A21	26	15-5	H161294	C7	7	25-1	H75413	D23	9	30-9
H141678	A23	4	15-7	H161295	C7	4	25-1	H75413	D25	9	30-11
H141678	A25	4	15-9	H161296	C7	2	25-1	H75413	E2	9	30-13
H141711	D8	4	25-27	H161529	B19	5	20-9	H76696	A11	2	10-1
H141711	D10	8	25-29	H161529	C19	10	25-13	H76696	A11	3	10-1
H143317	B8	2	15-17	H161529	C19	36	25-13	H77433	C9	25	25-3
H143317	B9	2	15-18	H161529	C25	1	25-19	H77433	C11	19	25-5
H143581	C9	31	25-3	H161618	B9	10	15-18	H77433	C13	21	25-7
H143581	C11	25	25-5	H161892	B19	4	20-9	H77433	C15	21	25-9
H143581	C13	27	25-7	H161892	C19	33	25-13	H78354	E4	4	30-15
H145147	F2	7	40-9	H161926	C19	15	25-13	H78707	C4	2	20-20
H145791	B23	4	20-13	H161927	C19	14	25-13	H78707	E19	5	40-1
H145997	D5	3	25-24	H162189	B19	8	20-9	H78708	C3	8	20-19
H145997	D6	3	25-25	H162189	C19	35	25-13	H78712	C4	18	20-20

NUMERICAL INDEX - CONTINUED

PART NO.	GRID	KEY	PAGE	PART NO.	GRID	KEY	PAGE	PART NO.	GRID	KEY	PAGE
H78717	A19	10	15-2	H89110	A17	32	10-7	H98792	C9	7	25-3
H78718	C3	10	20-19	H89114	E14	5	35-1	H99303	C17	22	25-11
H78884	E14	4	35-1	H89115	E14	11	35-1	H99303	C19	25	25-13
H80127	B21	6	20-11	H89524	C9	35	25-3	H99314	F2	1	40-9
H80419	E11	14	30-23	H89524	C11	24	25-5	JD5255	E24	5	40-7
H80631	E10	5	30-22	H89524	C13	26	25-7	JD5255	F2	4	40-9
H80926	B16	14	20-6	H89524	C15	26	25-9	JD5578	E24	9	40-7
H81277	A17	27	10-7	H89525	C9	28	25-3	JD5583	F2	5	40-9
H85794	E11	6	30-23	H89525	C11	21	25-5	JD5901	F2	2	40-9
H85795	E11	12	30-23	H89525	C13	23	25-7	JD5933	E24	6	40-7
H85796	E11	15	30-23	H89525	C15	23	25-9	JD7759	A17	10	10-7
H85797	E11	16	30-23	H91305	B12	19	20-1	JD7759	B12	9	20-1
H85798	E11	22	30-23	H91305	B13	19	20-2	JD7759	B13	9	20-2
H85800	E11	11	30-23	H92469	A21	21	15-5	JD7760	C7	11	25-1
H85801	E11	27	30-23	H92469	A23	21	15-7	JD7781	B23	12	20-13
H85803	E11	4	30-23	H92469	E14	9	35-1	JD7781	B25	7	20-15
H85806	E11	24	30-23	H92469	E15	10	35-2	JD7781	C1	7	20-16
H85807	E11	29	30-23	H92469	E16	10	35-3	JD7797	C4	6	20-20
H86656	C11	17	25-5	H92469	E17	10	35-4	JD8244	B12	8	20-1
H86656	C13	19	25-7	H92518	A19	1	15-2	JD8244	B13	8	20-2
H86918	A21	19	15-5	H92618	E14	3	35-1	JD8551	C21	4	25-15
H86918	C21	2	25-15	H93139	E12	12	30-24	JD8552	C21	18	25-15
H86918	C21	7	25-15	H93140	E12	7	30-24	JD8554	C4	4	20-20
H86918	C23	11	25-17	H93439	B16	16	20-6	JD8576	D8	16	25-27
H86918	C25	11	25-19	H93439	B17	16	20-7	JD8576	D10	19	25-29
H86918	D2	1	25-21	H93439	B18	16	20-8	JD8594	B16	6	20-6
H86918	D4	1	25-23	H93483	A17	25	10-7	JD8594	C9	13	25-3
H86918	D10	1	25-29	H93738	C9	30	25-3	JD8841	E11	13	30-23
H87042	B12	22	20-1	H94005	A14	4	10-4	JD8865	C4	16	20-20
H87042	B13	22	20-2	H94708	C21	16	25-15	JD8870	E11	9	30-23
H87043	B23	14	20-13	H94796	B23	29	20-13	JD8890	B21	8	20-11
H87044	C21	9	25-15	H94980	B17	11	20-7	JD8914	B12	7	20-1
H87044	D2	3	25-21	H94980	B18	11	20-8	JD8914	B13	7	20-2
H87044	D4	3	25-23	H94980	C13	3	25-7	JD9088	B15	10	20-5
H87048	A14	9	10-4	H94980	C15	3	25-9	JD9209	D8	12	25-27
H87051	B12	23	20-1	H94980	C17	3	25-11	JD9302	C4	5	20-20
H87059	C9	22A	25-3	H95086	E10	3	30-22	JD9861	B15	34	20-5
H87184	C21	27A	25-15	H95174	B4	12	15-13	JD9861	B15	35	20-5
H87192	C21	8	25-15	H95174	B21	3	20-11	JD9977	B15	19	20-5
H87192	D2	2	25-21	H96278	C3	4	20-19	M48770	E15	3	35-2
H87192	D4	2	25-23	H96279	C3	16	20-19	M48770	E16	3	35-3
H87193	C21	22	25-15	H96312	E14	7	35-1	M63139	A14	2	10-4
H87193	C23	10	25-17	H96312	E15	6	35-2	M63707	A13	8	10-3
H87193	C25	10	25-19	H96312	E16	6	35-3	M72598	A14	10	10-4
H87206	C9	27	25-3	H96313	E14	9	35-1	M72598	A15	11	10-5
H87206	C11	20	25-5	H96364	B4	9	15-13	M72598	E15	14	35-2
H87206	C13	22	25-7	H96365	B4	3	15-13	M72598	E16	14	35-3
H87206	C15	22	25-9	H96757	D8	4	25-27	M72598	E17	14	35-4
H87218	C21	6A	25-15	H96757	D10	8	25-29	M84972	C25	8	25-19
H87226	B16	11	20-6	H97429	B16	10A	20-6	M93897	E17	3	35-4
H87226	C9	21	25-3	H97709	B16	18	20-6	N10213	B1	2	15-10
H87226	C11	14	25-5	H98494	A14	6	10-4	N10213	B5	5	15-14
H87239	A14	5	10-4	H98494	A15	9	10-5	N10213	D5	2	25-24
H87239	A15	7	10-5	H98513	D8	20	25-27	N10213	D23	5	30-9
H87257	C21	21A	25-15	H98513	E19	8	40-1	N10213	D25	5	30-11
H87337	A21	21	15-5	H98530	B23	25	20-13	N10213	E14	2	35-1
H87337	A23	21	15-7	H98690	A11	19	10-1	N10217	D17	12	30-3
H87351	C9	1	25-3	H98690	A12	14	10-2	N10217	D19	13	30-5
H87360	A17	30	10-7	H98692	A13	12	10-3	N10217	D23	20	30-9
H87367	B12	18	20-1	H98693	A13	13	10-3	N10217	D25	20	30-11
H87395	D8	1	25-27	H98698	A14	8	10-4	P13759	A19	5	15-2
H87395	D10	11	25-29	H98698	A15	12	10-5	P41338	A19	4	15-2
H87507	B12	24	20-1	H98743	A17	7	10-7	P41339	A19	2	15-2
H88061	B15	16	20-5	H98764	A13	17	10-3	P41706	C21	26	25-15
H88188	B25	2	20-15	H98768	B23	2	20-13	P41706	C23	8	25-17
H88188	E15	13	35-2	H98780	B15	30	20-5	P41721	C4	15	20-20
H88188	E16	13	35-3	H98783	E12	6	30-24	P48289	C3	7	20-19

NUMERICAL INDEX - CONTINUED

PART NO.	GRID	KEY	PAGE	PART NO.	GRID	KEY	PAGE	PART NO.	GRID	KEY	PAGE
P50273	B12	16	20-1								
P50273	B13	16	20-2								
P50419	B16	17	20-6								
P50419	B17	6	20-7								
P50419	B18	6	20-8								
R21722	D17	15	30-3								
R21722	D19	16	30-5								
R21722	D21	16	30-7								
R21722	D23	17	30-9								
R21722	D25	17	30-11								
R21722	E2	17	30-13								
R26375	D17	11	30-3								
R26375	D19	3	30-5								
R26375	D21	3	30-7								
R26375	D23	21	30-9								
R26375	D25	21	30-11								
R26375	E2	21	30-13								
R26448	D23	3	30-9								
R26448	D25	3	30-11								
R26448	E2	3	30-13								
R26906	E3	1	30-14								
R26906	E4	1	30-15								
R27212	D23	2	30-9								
R27212	D25	2	30-11								
R27212	E2	2	30-13								
R27270	E3	2	30-14								
R27270	E4	2	30-15								
R39783	D25	9	30-11								
R39783	E2	9	30-13								
R40694	D17	4	30-3								
R40694	D17	7	30-3								
R40694	D19	9	30-5								
R40694	D23	10	30-9								
R40694	D25	10	30-11								
R40694	E2	10	30-13								
R44302	B9	..	15-18								
R46414	D23	4	30-9								
R46414	D25	4	30-11								
R46414	E2	4	30-13								
R78053	B8	1	15-17								
R78053	B9	1	15-18								
R78058	B8	1	15-17								
R78058	B9	1	15-18								
R78059	B8	1	15-17								
R78059	B9	1	15-18								
TY15130	B15	8	20-5								
T14065	B15	33	20-5								
T29049	C25	13	25-19								
T29342	B15	31	20-5								
U11326	E10	6	30-22								
W29648	B16	1	20-6								
W29648	B17	1	20-7								
W29648	C11	13	25-5								
W29648	C13	15	25-7								
Z20383	C21	1	25-15								
Z20383	D4	17	25-23								
Z20383	D10	2	25-29								
Z20383	D12	2	25-31								
Z20384	C21	17	25-15								
Z20384	D4	17	25-23								
Z20384	D10	3	25-29								
Z20384	D12	3	25-31								
Z699H	C9	29	25-3								